

# TABLE OF CONTENTS

<b><u>EQUIPMENT</u></b>	<b><u>PAGE</u></b>
<b>DELTA STAR</b>	
SR-70A.....	2
<b>FEDERAL PACIFIC ELECTRIC</b>	
FPE TC15, TC25 & TC546.....	4-5
FPE TC15, TC25, TC525 & TC546 – Chain/Sprocket Kit.....	6
FPE TC525.....	7-10
FPE TC546 800 AMP.....	11
FPE AF30 & A36.....	12
FPE AF28-34-500.....	13
FPE AF36-69-1500.....	14
<b>FERRANTI – PACKARD</b>	
FP25RT32.....	16
<b>GENERAL ELECTRIC</b>	
GE LR45, LR59, & LRS.....	18-19
GE LR65.....	20-23
GE LR83.....	24-26
GE LRT48.....	27
GE LRT68.....	28-30
GE LRT72.....	31-32
GE LRT200.....	33
GE LRT500.....	34
GE TMLT32.....	35
GE VR-1.....	36
<b>GE OIL CIRCUIT BREAKERS</b>	
GE FK14.4 600A.....	37
GE FK14.4 – 1000.....	38
GE FK38.....	39
GE FK48.3-3500-1.....	40
GE FKA34.5.....	41-42
GE FKA34.5-1500-1200-5R.....	43-45
GE FKA38-22000.....	46
GE FKA38, FKA34.5, 72.5 & FKA34.5-15-1200-5R, Baffle Stack Kit.....	47
GE FKA46-1500-1.....	48
GE FKD14.4.....	49
GE FKD15.5.....	50
GE FKD25.8.....	51-52
<b>HITACHI</b>	
OYGB-75.....	54
OYGB-100.....	55
OSYGB-150.....	56

# TABLE OF CONTENTS

<u>EQUIPMENT</u>	<u>PAGE</u>
<b>INOUE DENKE OIL CIRCUIT BREAKERS</b>	
ID 20-TEO-150MS.....	58
ID 30-TEO-150PU .....	59
<b>ITE OIL CIRCUIT BREAKERS</b>	
ITE 14.4KS50012B .....	61-62
ITE 14.4KS50012C .....	63
ITE 14.4KS50012D .....	64
ITE 14.4KS50016D .....	65
ITE 14.4KS50020B .....	66
ITE 14.4KS50020C .....	67
ITE / KELMAN 14.4TK 500 .....	68
ITE 23KS500-6B .....	69
ITE 23KS500-12B .....	70
ITE 23KS500-12C .....	71
ITE 23KS500-12D.....	72
ITE 23KS500-16D.....	73
ITE 23KS500-20C .....	74
ITE 34.5KS1500-12B .....	75
ITE 46KS1500-12B .....	76
ITE 46KS2500-12 .....	77
<b>MCGRRAW EDISON</b>	
McGRAW EDISON 220 .....	79
McGRAW EDISON 333 .....	80-81
McGRAW EDISON 394 .....	82-83
McGRAW EDISON 396 .....	84
McGRAW EDISON 396B, Transfer Switch .....	85
McGRAW EDISON 494 .....	86-90
McGRAW EDISON 550 .....	91-93
McGRAW EDISON 550B .....	94
McGRAW EDISON 550C .....	95-98
McGRAW EDISON 550H .....	99
McGRAW EDISON 550L.....	100-102
McGRAW EDISON 550 H/L, Collar.....	103
McGRAW EDISON 550 H/L, O-Ring-Belleville Washer .....	104
McGRAW EDISON 550BLS.....	105-107
McGRAW EDISON 550BLS/BHS O-Ring/Washer .....	108
McGRAW EDISON 880 .....	109
McGRAW EDISON 996 .....	110-113
<b>McGRAW EDISON OIL CIRCUIT BREAKERS</b>	
McGRAW EDISON ALP54-121-40.....	114
McGRAW EDISON CF37.....	115
McGRAW EDISON CF48.....	116

# TABLE OF CONTENTS

<b><u>EQUIPMENT</u></b>	<b><u>PAGE</u></b>
McGRAW EDISON CF56 & CH60 .....	117
McGRAW EDISON CF56A & CH60A.....	118
McGRAW EDISON CG38 & CG48.....	119
McGRAW EDISON RHE.....	120
<b>MOLONEY</b>	
MOLONEY MA / MB.....	122
MOLONEY MA1 / MB1.....	123
MOLONEY MA2 / MB2.....	124
<b>PEMCO</b>	
PEMCO TYPE 331 .....	126
<b>SIEMENS / ALLIS-CHALMERS</b>	
SIEMENS AC BZO 138.....	128
SIEMENS AC TLG .....	129
SIEMENS OZ15-500 .....	130
SIEMENS TLF AFR/DRF .....	131
SIEMENS TLH10.....	132
SIEMENS TLH20.....	133-135
SIEMENS TLH21.....	136-142
SIEMENS TLS.....	143-145
<b>SIEMENS OIL CIRCUIT BREAKERS</b>	
SIEMENS SDO15 & 23 .....	146-147
SIEMENS SD015 & 23 TC-2.....	148
SIEMENS SDO15-250.....	149
SIEMENS SDO15-500 TC-1 .....	150
SIEMENS SDO15-500 TC-1 / TC-2.....	151
SIEMENS SDO23-500 TC-2 .....	152
<b>WAUKESHA</b>	
UZD.....	154-156
<b>WESTINGHOUSE</b>	
REINHAUSEN RMT-1 .....	158
WH UNR .....	159
WH UR.....	160-161
WH URS.....	162-164
WH UT .....	165
WH URT.....	166-167
WH UTH .....	168
WH UTS .....	169-170
WH UTT-A .....	171
WH UTT-B.....	172-174

# TABLE OF CONTENTS

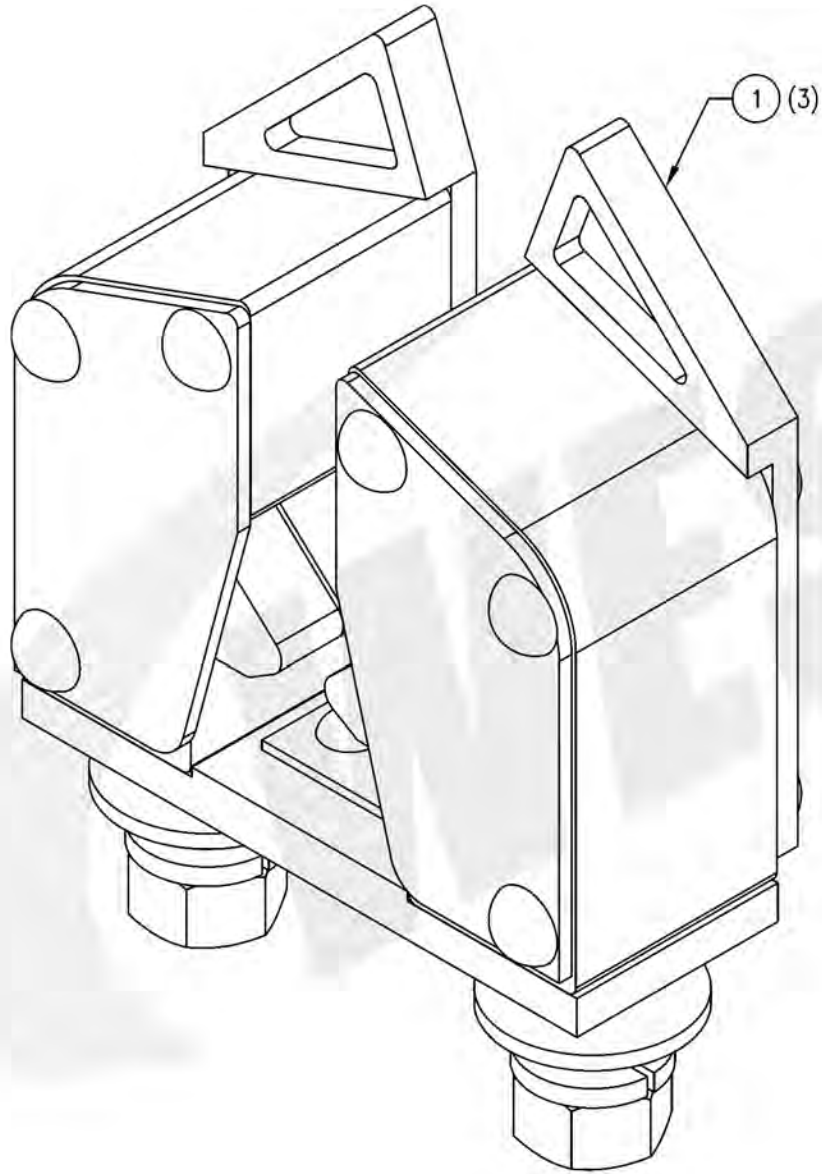
<u>EQUIPMENT</u>	<u>PAGE</u>
WH UTT, UTT-A, & UTT-B.....	175-176
WH UVT 1000 AMP.....	177-178
WH UVT 1500/2000 AMP.....	179-180
 <b>WESTINGHOUSE OIL CIRCUIT BREAKERS</b>	
WH 230G500.....	181
WH 345G1500.....	182
WH 345GS1500.....	183
WH460G2500.....	184
WH690GS2500.....	185
WH G01 600 AMP.....	186
WH G01 1200 AMP.....	187-188
WHGO2.....	189-190



# **Delta Star**

## **Replacement Parts**

PARTS LIST			
ITEM NO.	PART NUMBER	DESCRIPTION	QTY
1	12-100-0001	CONTACT ASSEMBLY, STATIONARY	3



WESTERN ELECTRICAL SERVICES	
EQUIPMENT: DELTA STAR SR-70A	
TITLE: REPLACEMENT PARTS	
DWG NO. 12-100-0000K	REV: 0

**Federal Pacific Electric**

**Load Tap Changer**

**Replacement Parts**

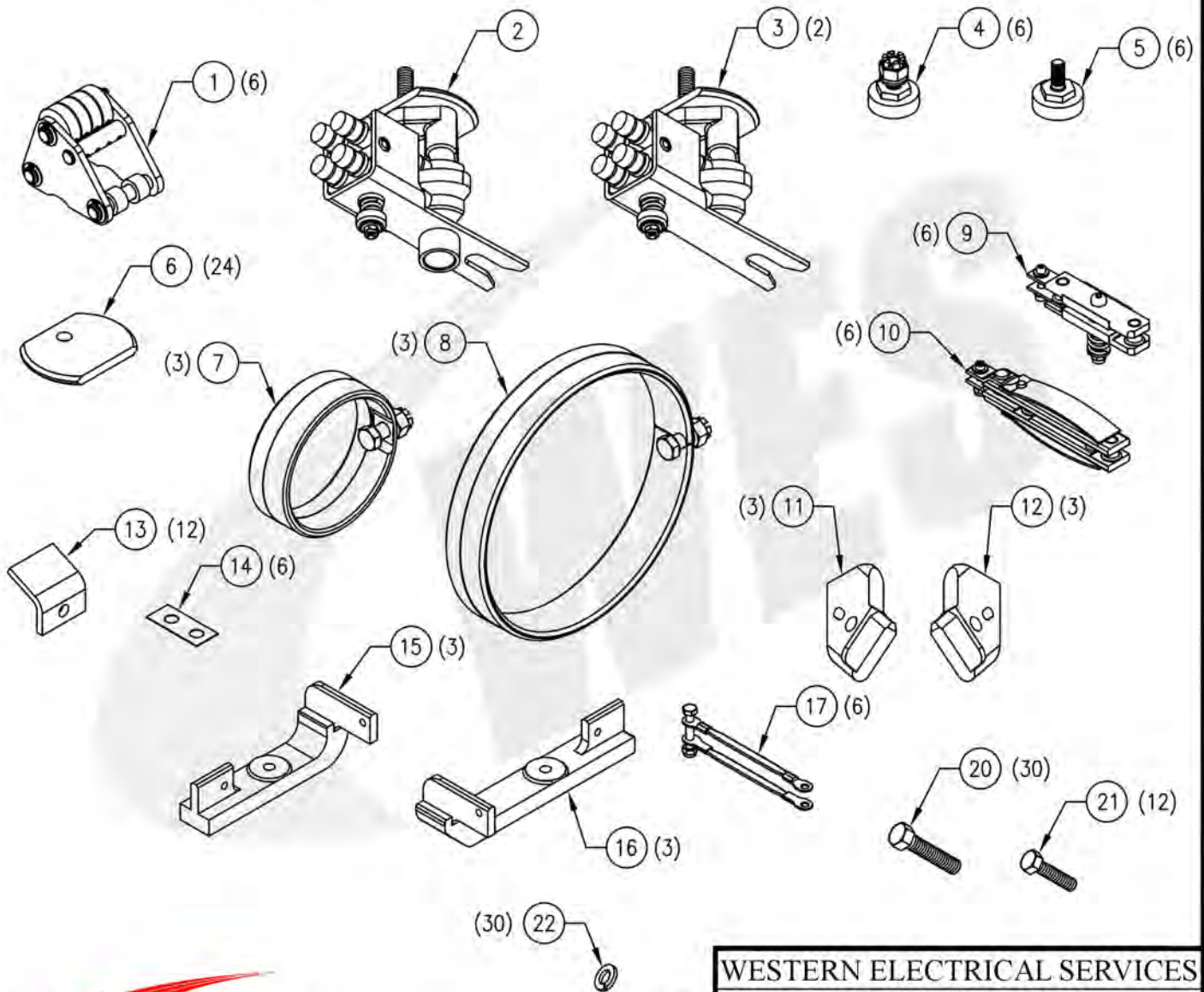
**&**

**Oil Circuit Breaker**

**Replacement Parts**

PARTS LIST			
ITEM NO.	PART NUMBER	DESCRIPTION	QTY
1	01-100-0001U	ROLLER CONTACT ASSEMBLY, DIVERTER SWITCH	6
2	01-100-0010U	CONTACT ASSEMBLY, MOVING, REVERSING SWITCH WITH HUB	1
3	01-100-0025U	CONTACT ASSEMBLY, MOVING, REVERSING SWITCH WITHOUT HUB	2
4	01-100-0027	CONTACT ASSEMBLY, ARCING, DIVERTER SWITCH WITH HARDWARE	6
5	01-100-0028	CONTACT, ARCING, DIVERTER SWITCH	6
6	01-100-0029P	CONTACT, STATIONARY, SELECTOR SWITCH	24
7	01-100-0030	COLLECTOR RING ASSEMBLY, INNER	3
8	01-100-0033	COLLECTOR RING ASSEMBLY, OUTER	3
9	01-100-0036U	CONTACT ASSEMBLY, MOVING, SELECTOR SWITCH	6
10	01-100-0043U	CONTACT ASSEMBLY, COLLECTOR RING	6
11	01-100-0051U	CONTACT, STATIONARY, LEFT HAND REVERSING SWITCH	3
12	01-100-0052U	CONTACT, STATIONARY, RIGHT HAND REVERSING SWITCH	3

PARTS LIST			
ITEM NO.	PART NUMBER	DESCRIPTION	QTY
13	01-100-0055U	CONTACT, WEDGE, DIVERTER SWITCH	12
14	01-100-0057	TAB, LOCKING, REVERSING SWITCH	6
15	01-100-0058P	BUS BAR, INNER	3
16	01-100-0060P	BUS BAR, OUTER	3
17	01-100-0062	SHUNT ASSEMBLY, "C" PIN	6
18	01-100-0063	INSTRUCTION SHEET, DIVERTER SWITCH SHUNT	1
19	01-100-0064	INSTALLATION SHEET	1
20	99-102-1415	SCREW, HEX HEAD, STEEL, .375-16UNC X 1.25 LONG	30
21	99-102-1212	SCREW, HEX HEAD, STEEL, .3125-18UNC X 1.00	12
22	99-200-0007	WASHER, LOCK, STEEL, FOR .375 SCREW	30
23	99-200-0006	WASHER, LOCK, STEEL, FOR .3125 SCREW	6



**WESTERN ELECTRICAL SERVICES**

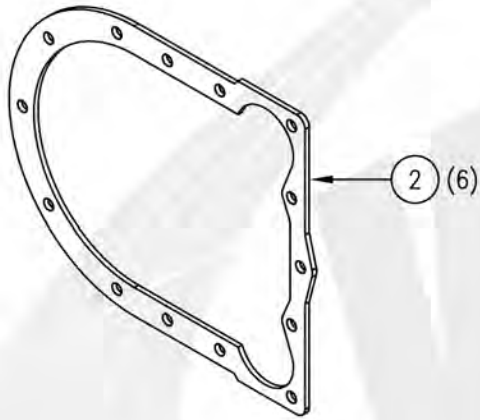
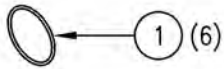
EQUIPMENT: FPE TC15, TC25 & TC546

TITLE: COMPLETE CONTACT KIT (UPGRADE)

DWG NO. 01-100-0000KU

REV: 0

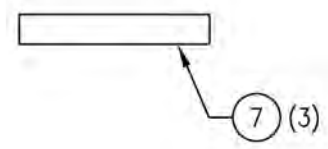
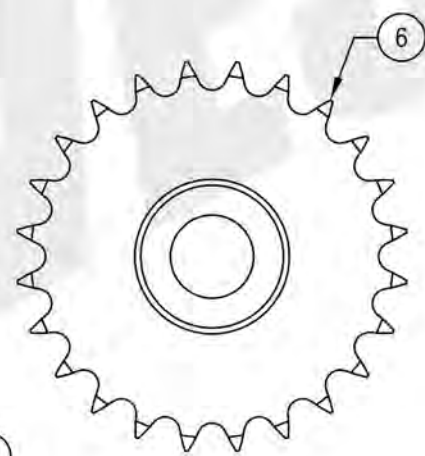
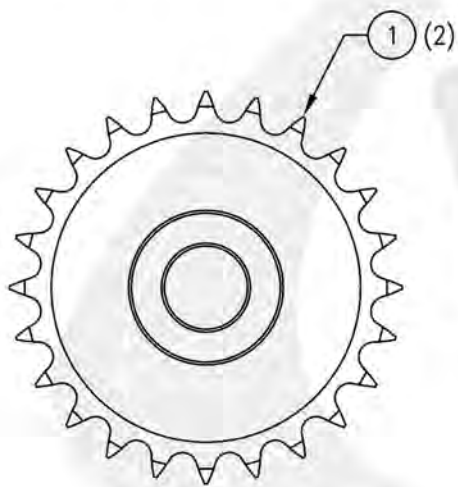
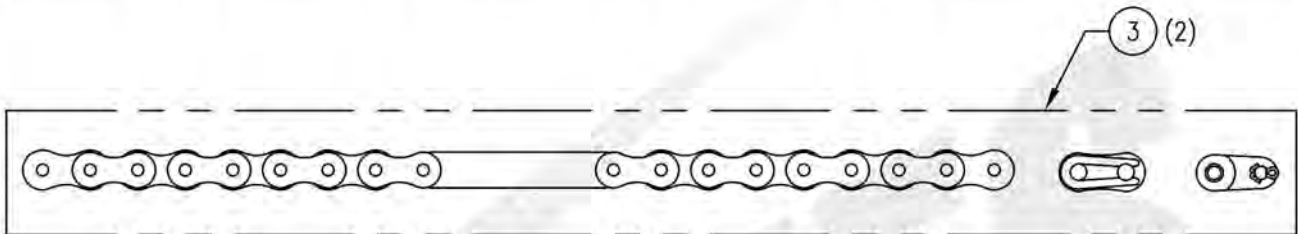
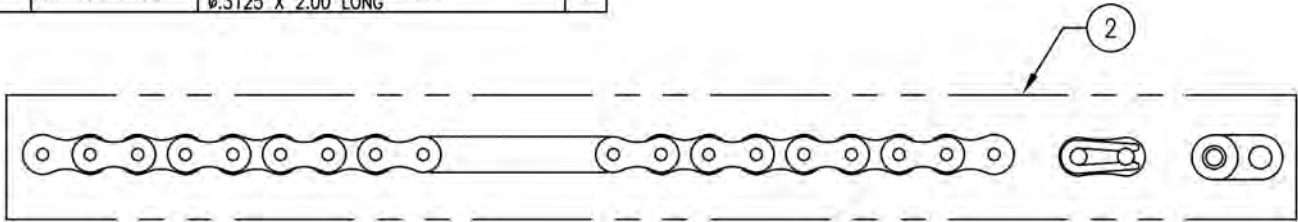
PARTS LIST			
ITEM NO.	PART NUMBER	DESCRIPTION	QTY
1	01-100-0075	O-RING, DIVERTER SWITCH	6
2	01-101-0069	GASKET, TAPHEAD	3



WESTERN ELECTRICAL SERVICES	
EQUIPMENT: FPE TC15, TC25 & TC546	
TITLE: NOT INCLUDED IN KIT	
DWG NO. 01-100-0000K2	REV: 0



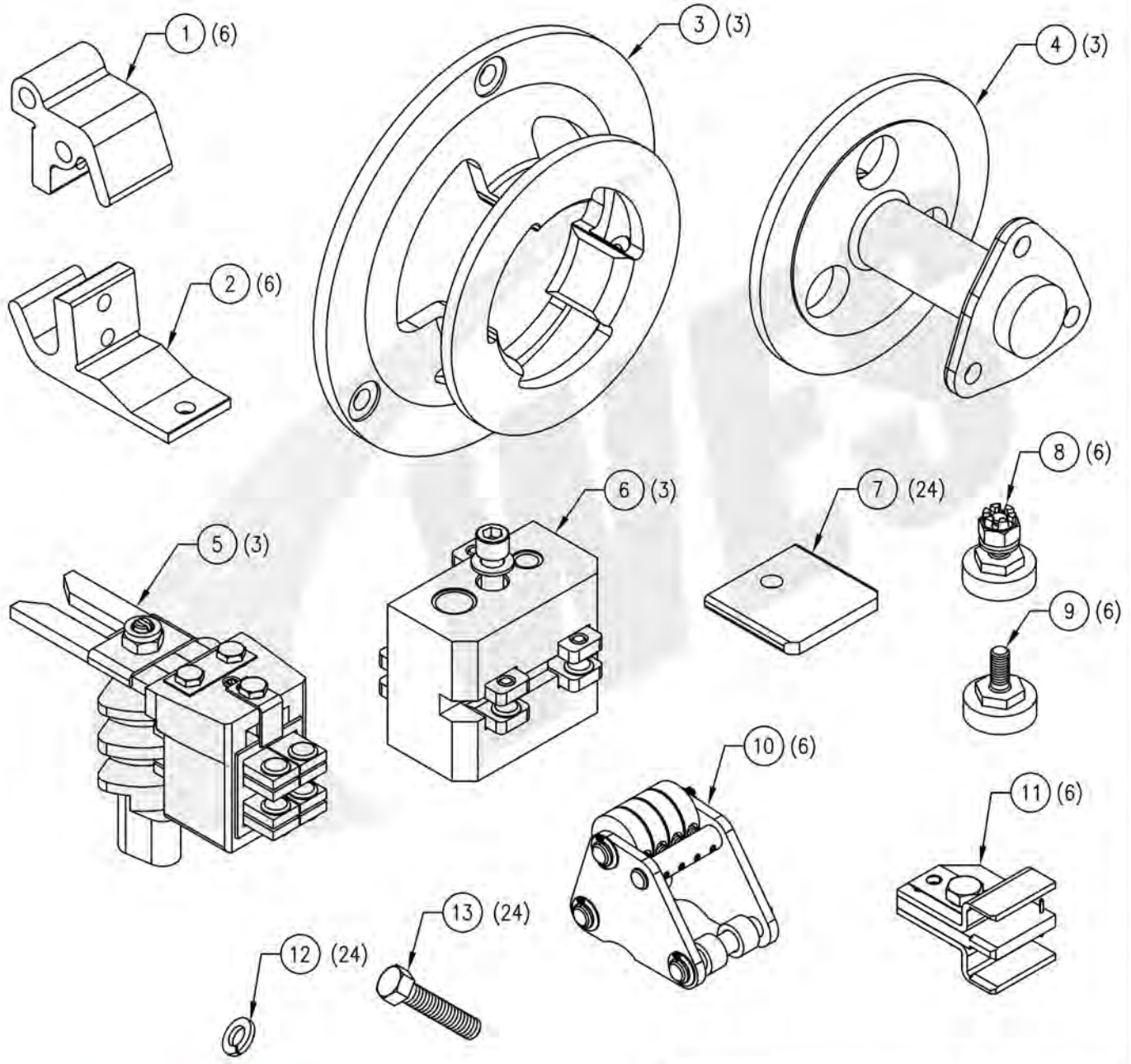
PARTS LIST			
ITEM NO.	PART NUMBER	DESCRIPTION	QTY
1	01-100-0079	SPROCKET, SINGLE, MODIFIED	2
2	01-100-0081	CHAIN ASSEMBLY, ISO NO. 08B	1
3	01-100-0086	CHAIN ASSEMBLY, NO. 43	2
4	01-100-0091	.250 DIA. DRILL BIT	1
5	01-100-0092	.316 DIA (NO. 0) DRILL BIT	1
6	01-100-0093	SPROCKET, TRIPLE	1
7	99-502-0922	PIN, SPRING, COILED, STEEL, Ø.3125 X 2.00 LONG	3



WESTERN ELECTRICAL SERVICES	
EQUIPMENT: FPE TC15, TC25, TC546 & TC525	
TITLE: CHAIN & SPROCKET KIT	
DWG NO. 01-100-0001K	REV: 0

PARTS LIST			
ITEM NO.	PART NUMBER	DESCRIPTION	QTY
1	01-101-0001U	CONTACT, WEDGE, LOWER, DIVERTER SWITCH	6
2	01-101-0003U	CONTACT, WEDGE, UPPER, DIVERTER SWITCH	6
3	01-101-0005P	COLLECTOR RING, INNER (CR1)	3
4	01-101-0007P	COLLECTOR RING, OUTER (CR3)	3
5	01-101-0009U	CONTACT ASSEMBLY, MOVING, REVERSING SWITCH	3
6	01-101-0027	CONTACT ASSEMBLY, MOVING, SELECTOR SWITCH	3
7	01-101-0038P	CONTACT, STATIONARY, SELECTOR SWITCH	24

PARTS LIST			
ITEM NO.	PART NUMBER	DESCRIPTION	QTY
8	01-100-0027	CONTACT ASSEMBLY, ARCING, DIVERTER SWITCH WITH HARDWARE	6
9	01-100-0028	CONTACT, ARCING, DIVERTER SWITCH	6
10	01-101-0039U	CONTACT ROLLER ASSEMBLY, DIVERTER SWITCH	6
11	01-101-0041U	CONTACT ASSEMBLY, STATIONARY, L.H./R.H. REVERSING SWITCH	6
12	99-200-0007	WASHER, LOCK, STEEL, FOR .375 SCREW	24
13	99-102-1415	SCREW, HEX HEAD, STEEL, .375-16UNC X 1.25 LONG	24

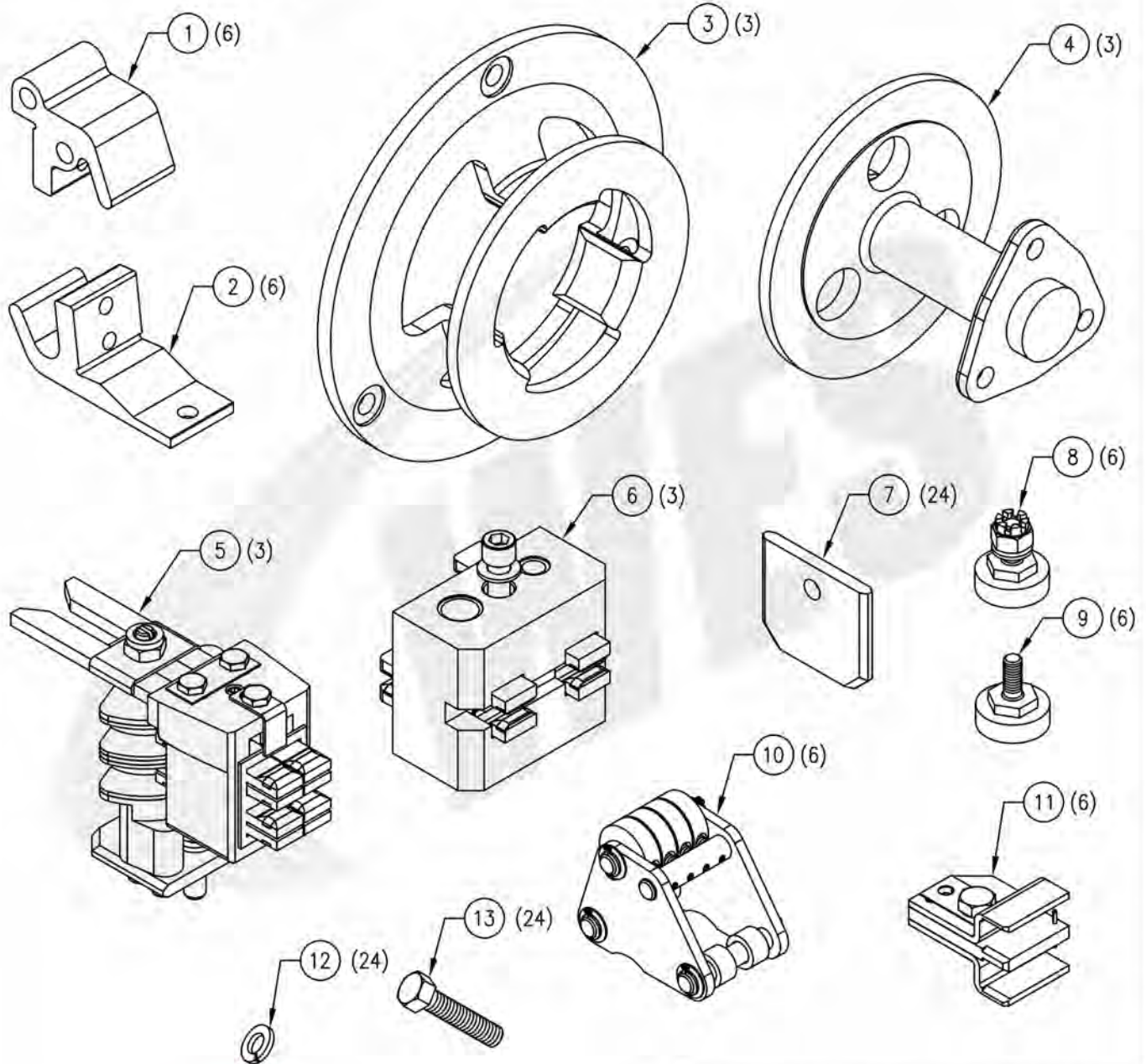


WESTERN ELECTRICAL SERVICES	
EQUIPMENT: FPE TC525	
TITLE: CONTACT KIT, COMPLETE (UPGRADE)	
DWG NO. 01-101-0000KU	REV: 0



PARTS LIST			
ITEM NO.	PART NUMBER	DESCRIPTION	QTY
1	01-101-0001U	CONTACT, WEDGE, LOWER, DIVERTER SWITCH	6
2	01-101-0003U	CONTACT, WEDGE, UPPER, DIVERTER SWITCH	6
3	01-101-0005P	COLLECTOR RING, INNER (CR1)	3
4	01-101-0007P	COLLECTOR RING, OUTER (CR3)	3
5	01-101-0078	CONTACT ASSEMBLY, MOVING, REVERSING SWITCH (HIGH PERFORMANCE)	3
6	01-101-0077	CONTACT ASSEMBLY, MOVING, SELECTOR SWITCH (HIGH PERFORMANCE)	3
7	01-101-0070P	CONTACT, STATIONARY, SELECTOR SWITCH (HIGH PERFORMANCE)	24

PARTS LIST			
ITEM NO.	PART NUMBER	DESCRIPTION	QTY
8	01-100-0027	CONTACT ASSEMBLY, ARCING, DIVERTER SWITCH WITH HARDWARE	6
9	01-100-0028	CONTACT, ARCING, DIVERTER SWITCH	6
10	01-101-0039U	CONTACT ROLLER ASSEMBLY, DIVERTER SWITCH	6
11	01-101-0041U	CONTACT ASSEMBLY, STATIONARY, L.H./R.H. REVERSING SWITCH	6
12	99-200-0007	WASHER, LOCK, STEEL, FOR .375 SCREW	24
13	99-102-1415	SCREW, HEX HEAD, STEEL, .375-16UNC X 1.25 LONG	24



**WESTERN ELECTRICAL SERVICES**

EQUIPMENT: FPE TC525

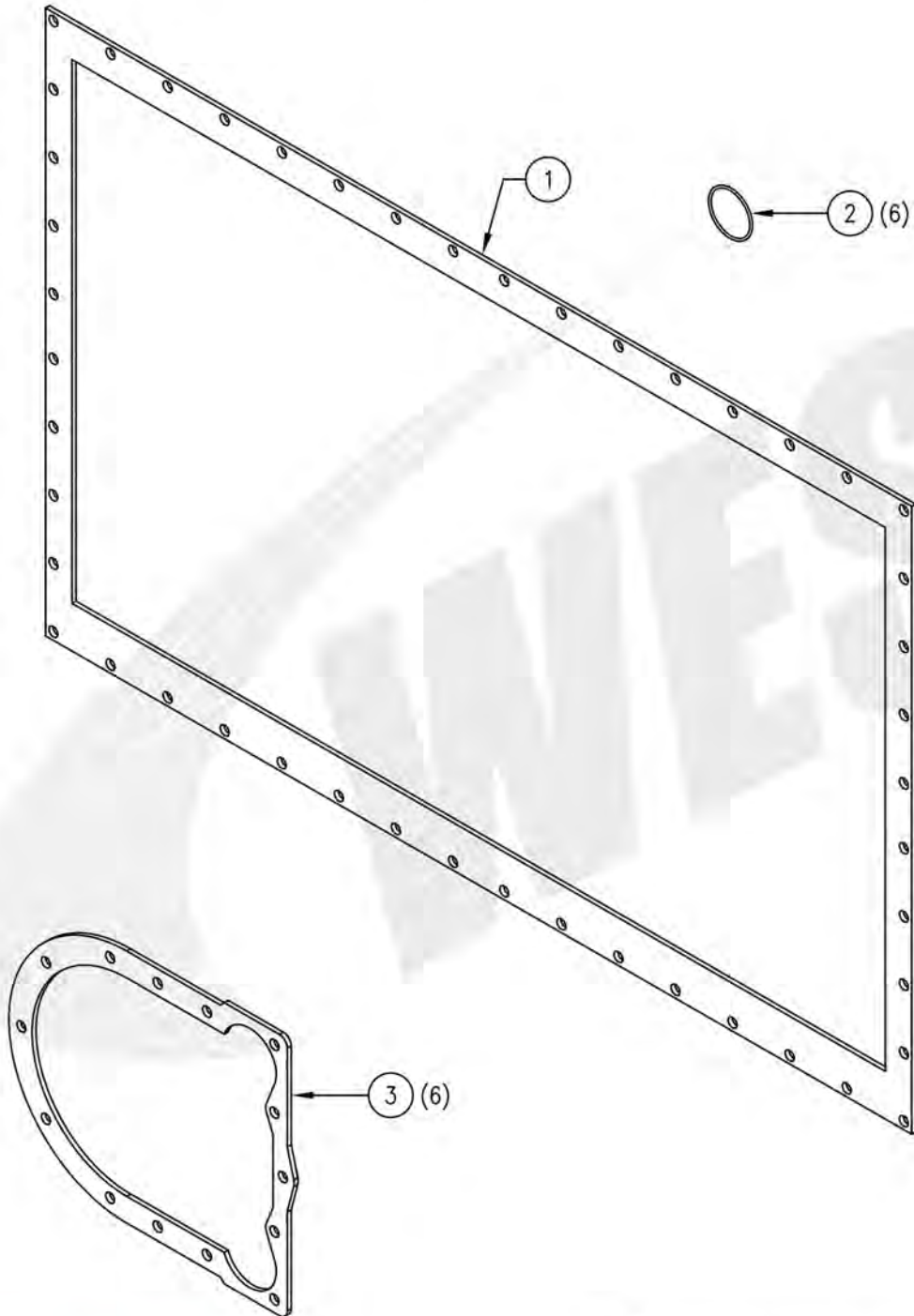
TITLE: CONTACT KIT, COMPLETE (UPGRADE WITH HIGH PERFORMANCE CONTACTS)

DWG NO. 01-101-0002KU

REV: 0



PARTS LIST			
ITEM NO.	PART NUMBER	DESCRIPTION	QTY
1	01-101-0098	GASKET, DOOR	1
2	01-100-0075	O-RING, DIVERTER SWITCH	6
3	01-101-0069	GASKET, TAPHEAD	3



WESTERN ELECTRICAL SERVICES

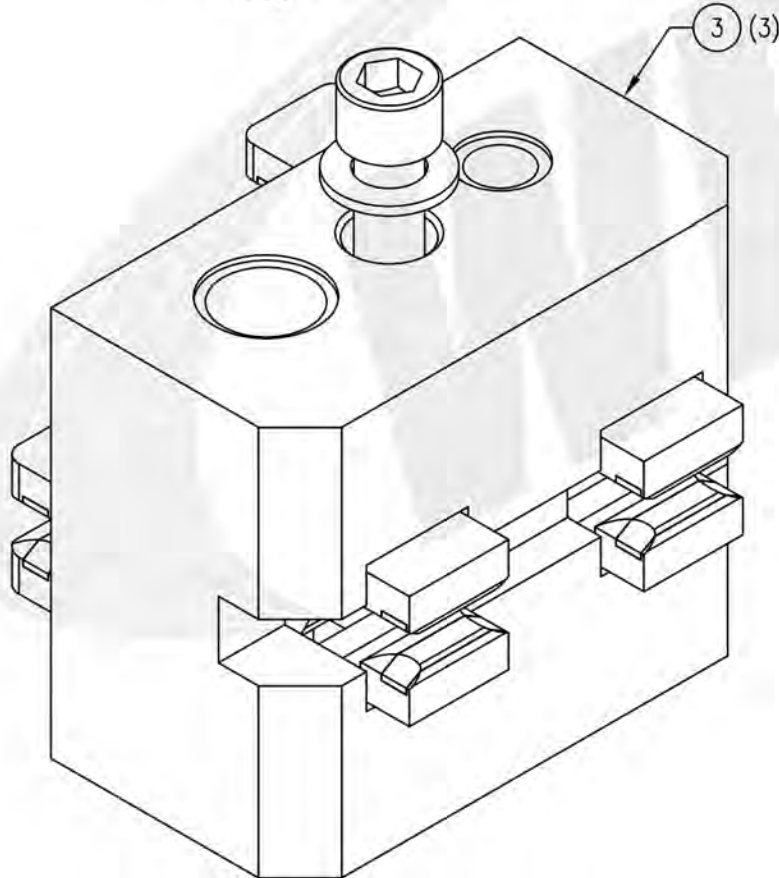
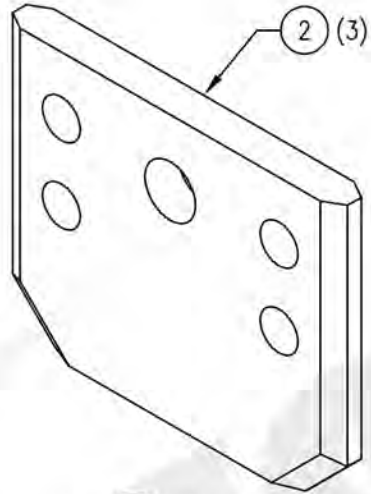
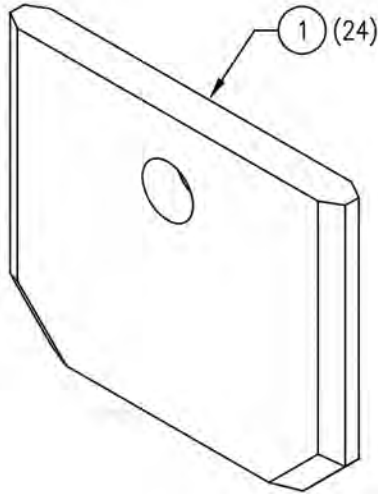
EQUIPMENT: FPE TC525

TITLE: NOT INCLUDED IN KIT

DWG NO. 01-101-0000K-2

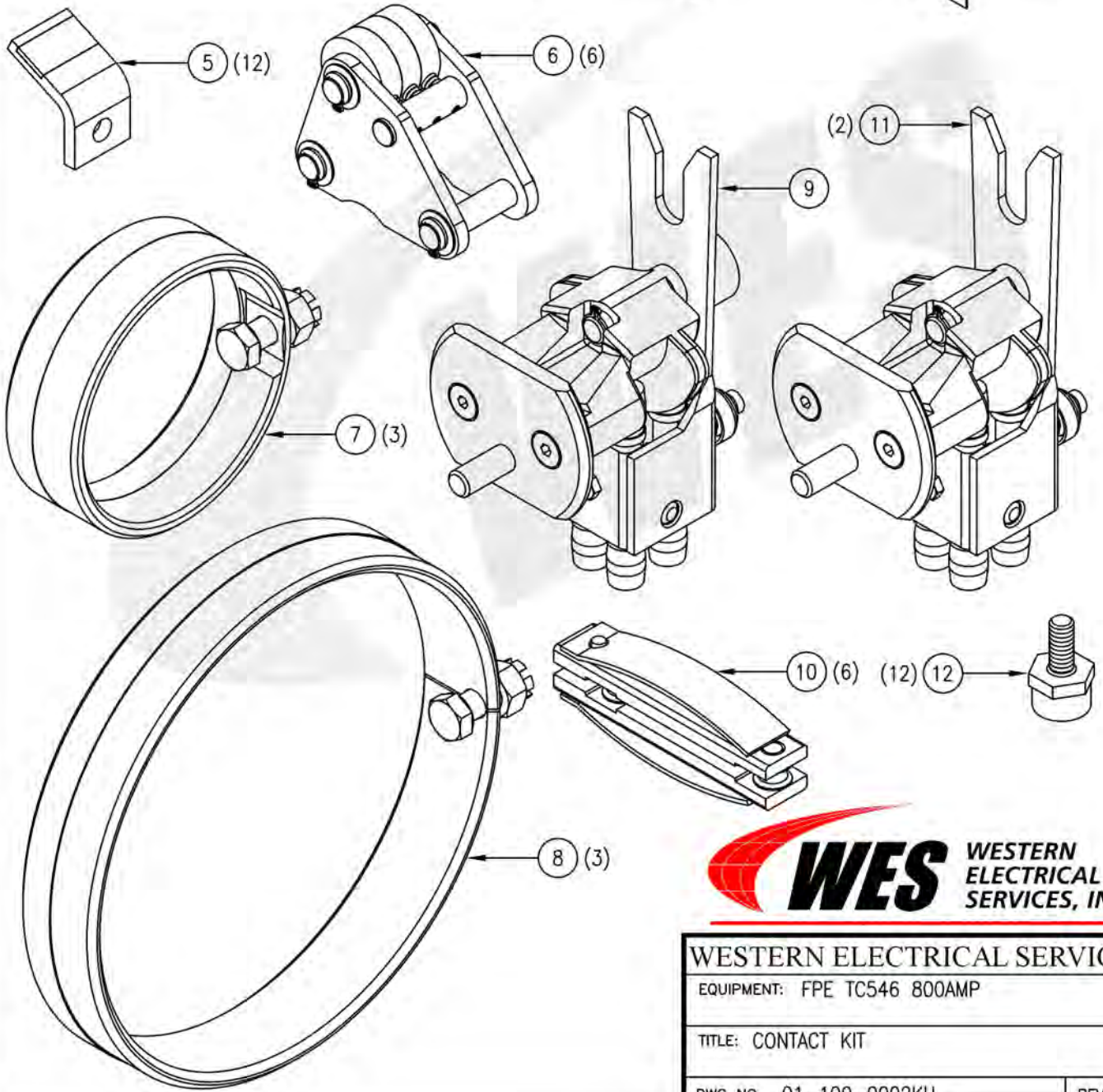
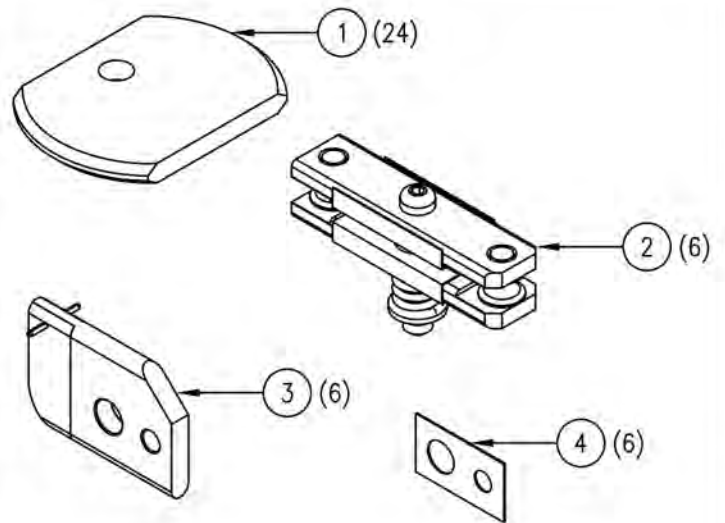
REV: 0

PARTS LIST			
ITEM NO.	PART NUMBER	DESCRIPTION	QTY
1	01-101-0070P	CONTACT, STATIONARY, SELECTOR SWITCH (HEAVY DUTY)	24
2	01-101-0071P	CONTACT, NEUTRAL, SELECTOR SWITCH (HEAVY DUTY)	3
3	01-101-0077	CONTACT ASSEMBLY, MOVING, SELECTOR SWITCH (HEAVY DUTY)	3



<b>WESTERN ELECTRICAL SERVICES</b>	
EQUIPMENT: FPE TC525	
TITLE: CONTACT KIT, SELF ALIGNING SELECTOR SWITCH (HEAVY DUTY)	
DWG NO. 01-101-0001K	REV: 0

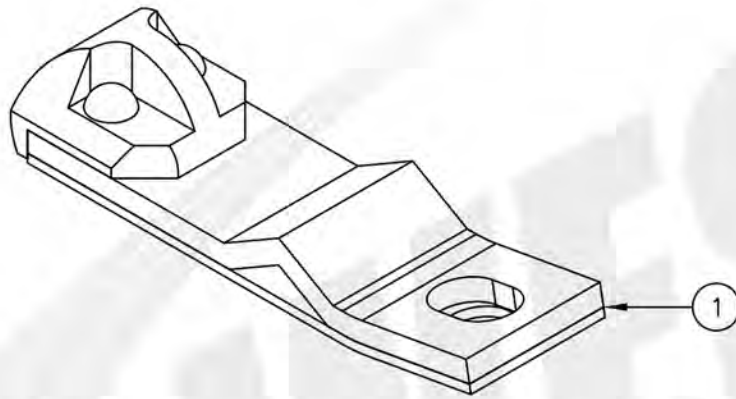
PARTS LIST			
ITEM NO.	PART NUMBER	DESCRIPTION	QTY
1	01-100-0029P	CONTACT, STATIONARY, SELECTOR SWITCH	24
2	01-100-0094	CONTACT ASSEMBLY, MOVING, SELECTOR SWITCH	6
3	01-100-0098U	CONTACT ASSEMBLY, STATIONARY, REVERSING SWITCH	6
4	01-100-0100	TAB, LOCKING, REVERSING SWITCH	6
5	01-100-0101U	CONTACT, WEDGE, DIVERTER SWITCH	12
6	01-100-0102U	CONTACT ROLLER ASSEMBLY, DIVERTER SWITCH	6
7	01-100-0030	COLLECTOR RING ASSEMBLY, INNER	3
8	01-100-0033	COLLECTOR RING ASSEMBLY, OUTER	3
9	01-100-0106U	CONTACT ASSEMBLY, MOVING, REVERSING SWITCH WITH HUB	1
10	01-100-0114	CONTACT ASSEMBLY, COLLECTOR RING	6
11	01-100-0119U	CONTACT ASSEMBLY, MOVING, REVERSING SWITCH WITHOUT HUB	2
12	01-100-0125	CONTACT, ARCING, DIVERTER SWITCH	12



WESTERN ELECTRICAL SERVICES	
EQUIPMENT: FPE TC546 800AMP	
TITLE: CONTACT KIT	
DWG NO. 01-100-0002KU	REV: 0

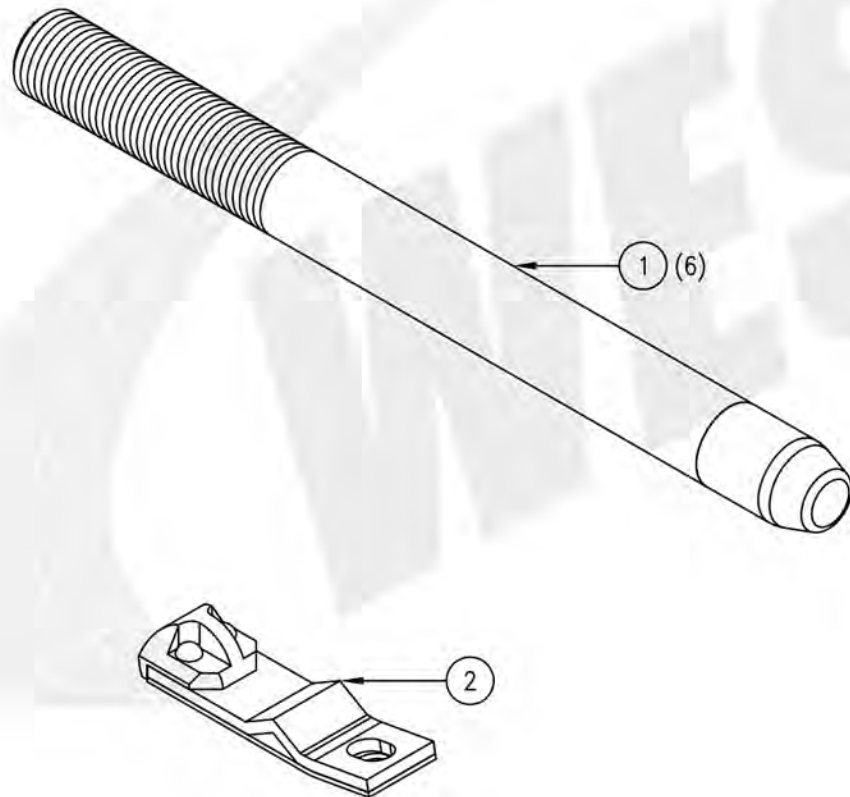


PARTS LIST			
ITEM NO.	PART NUMBER	DESCRIPTION	QTY
1	01-102-0001	CONTACT SHOE ASSEMBLY, STATIONARY	1



WESTERN ELECTRICAL SERVICES	
EQUIPMENT: FPE AF30 & A36	
TITLE: REPLACEMENT PARTS	
DWG NO. 01-102-0000K	REV: 0

PARTS LIST			
ITEM NO.	PART NUMBER	DESCRIPTION	QTY
1	01-102-0005P	CONTACT ROD ASSEMBLY, MOVING	6
2	01-102-0008	CONTACT SHOE ASSEMBLY, STATIONARY	1



NICHOLS APPLIED TECHNOLOGY

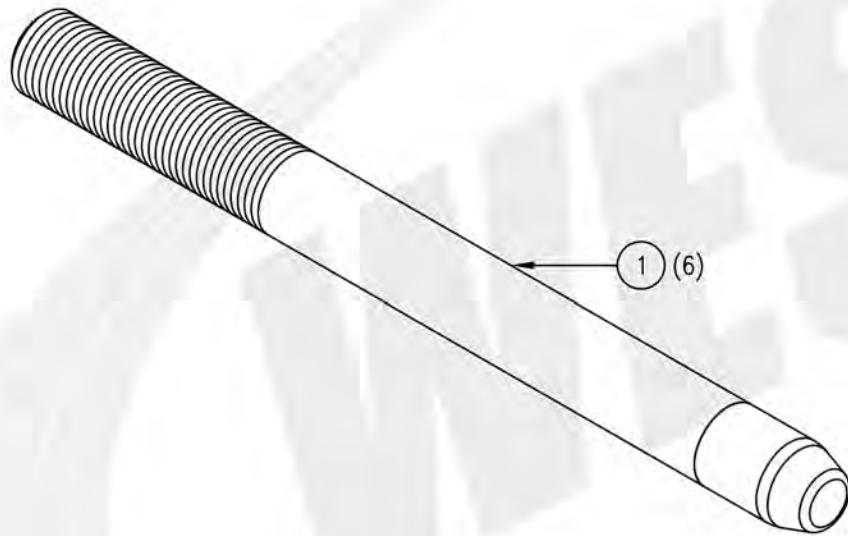
EQUIPMENT: FPE AF28-34-500

TITLE: REPLACEMENT PARTS

DWG NO. 01-102-0002K

REV: 0

PARTS LIST			
ITEM NO.	PART NUMBER	DESCRIPTION	QTY
1	01-102-0005	CONTACT ROD ASSEMBLY, MOVING	6



WESTERN ELECTRICAL SERVICES	
EQUIPMENT: FPE AF36-69-1500	
TITLE: REPLACEMENT PARTS	
DWG NO. 01-102-0001K	REV: 0

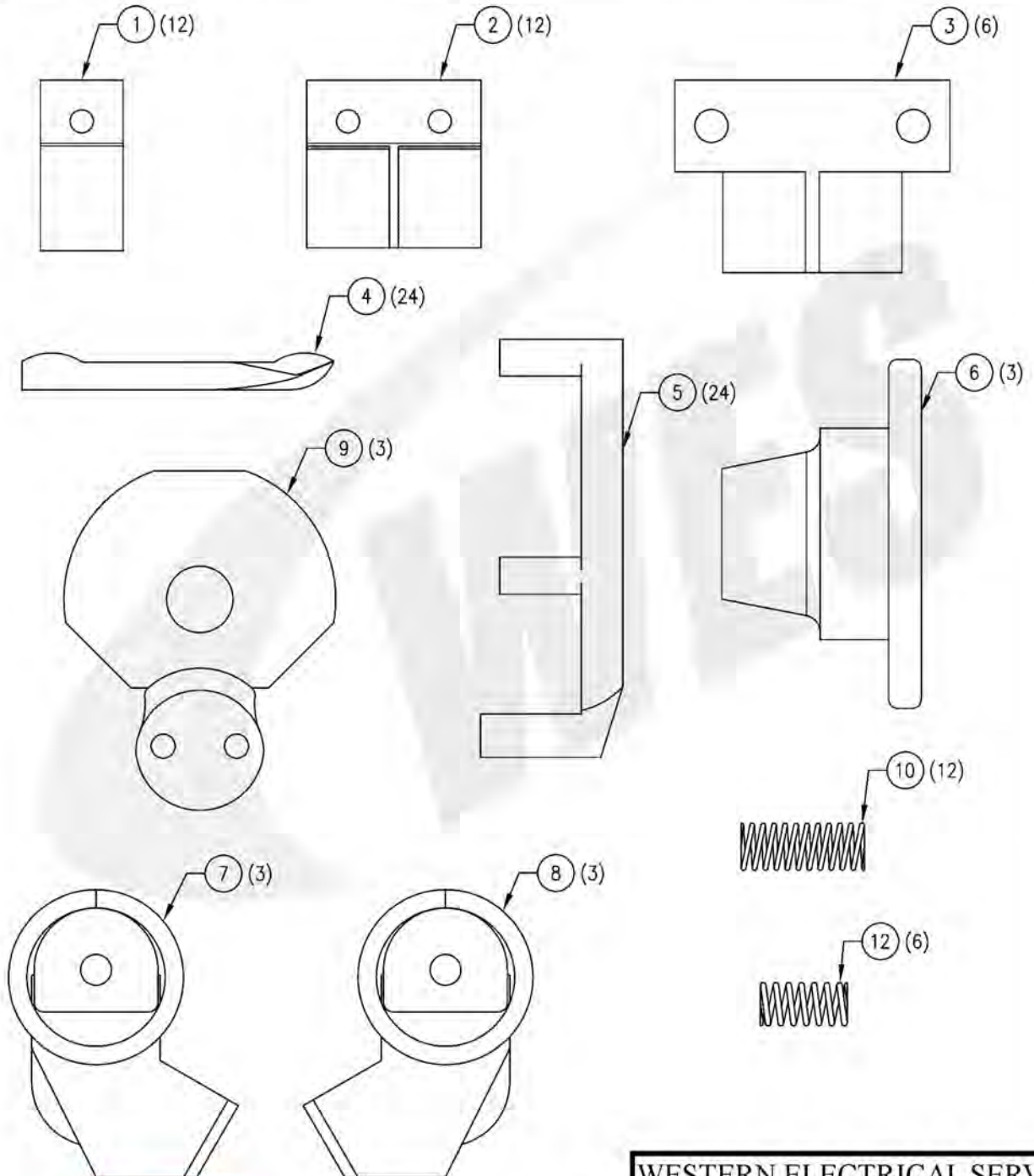
# **Ferranti-Packard**

## **Load Tap Changer**

### **Replacement Parts**

PARTS LIST			
ITEM NO.	PART NUMBER	DESCRIPTION	QTY
1	08-800-0001	CONTACT, ARCING, STATIONARY, MAIN AUXILIARY	12
2	08-800-0004	CONTACT, ARCING, MOVING & STATIONARY	12
3	08-800-0007	CONTACT, ARCING, MOVING MAIN AUXILIARY	6
4	08-800-0010	CONTACT, MOVING, SELECTOR SWITCH	24
5	08-800-0011	CONTACT, STATIONARY, SELECTOR SWITCH	24
6	08-800-0012	COLLECTOR RING	3

PARTS LIST			
ITEM NO.	PART NUMBER	DESCRIPTION	QTY
7	08-800-0013	CONTACT ASSEMBLY, R.H., STATIONARY, REVERSING SWITCH	3
8	08-800-0018	CONTACT ASSEMBLY, L.H., STATIONARY, REVERSING SWITCH	3
9	08-800-0019	CONTACT ASSEMBLY, NEUTRAL, REVERSING SWITCH	3
10	08-800-0022	SPRING, DIVERTER SWITCH	12
11	08-800-0023	SPRING, REVERSING SWITCH	6



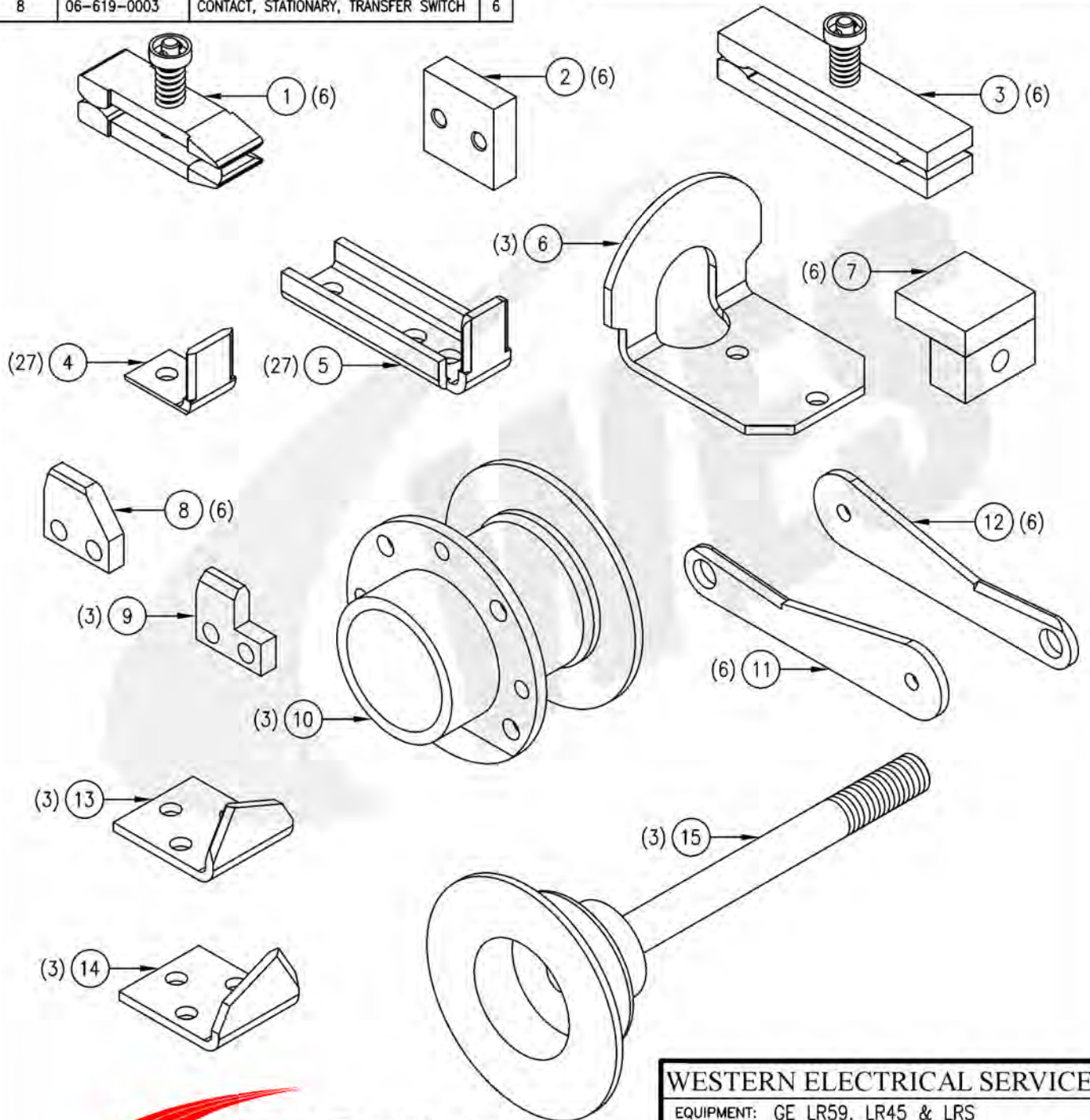
<b>WESTERN ELECTRICAL SERVICES</b>	
EQUIPMENT: FERRANTI-PACKARD 25RT32	
TITLE: CONTACT KIT, COMPLETE	
DWG NO. 08-800-0000K	REV: 0



**General Electric**  
**Load Tap Changer**  
**Replacement Parts**  
**&**  
**Oil Circuit Breaker**  
**Replacement Parts**

PARTS LIST			
ITEM NO.	PART NUMBER	DESCRIPTION	QTY
1	06-619-0015	CONTACT ASSEMBLY, MOVING, SELECTOR SWITCH	6
2	06-606-0006	CONTACT, ARCING	6
3	06-606-0010	CONTACT ASSEMBLY, MOVING, REVERSING SWITCH	6
4	06-607-0001P	CONTACT, STATIONARY INNER, SELECTOR SWITCH	27
5	06-607-0002P	CONTACT, STATIONARY OUTER, SELECTOR SWITCH	27
6	06-619-0001P	CONTACT, STATIONARY NEUTRAL, REVERSING SWITCH	3
7	06-619-0002	CONTACT, ARCING	6
8	06-619-0003	CONTACT, STATIONARY, TRANSFER SWITCH	6

PARTS LIST			
ITEM NO.	PART NUMBER	DESCRIPTION	QTY
9	06-619-0004	CONTACT, SEQUENCE, STATIONARY	3
10	06-619-0005	RING, COLLECTOR	3
11	06-619-0006	CONTACT, MOVING, L.H., TRANSFER SWITCH	6
12	06-619-0007	CONTACT, MOVING, R.H., TRANSFER SWITCH	6
13	06-619-0008P	CONTACT, STATIONARY, R.H., REVERSING SWITCH	3
14	06-619-0009P	CONTACT, STATIONARY, L.H., REVERSING SWITCH	3
15	06-619-0010	HUB, COLLECTOR RING	3



WESTERN ELECTRICAL SERVICES

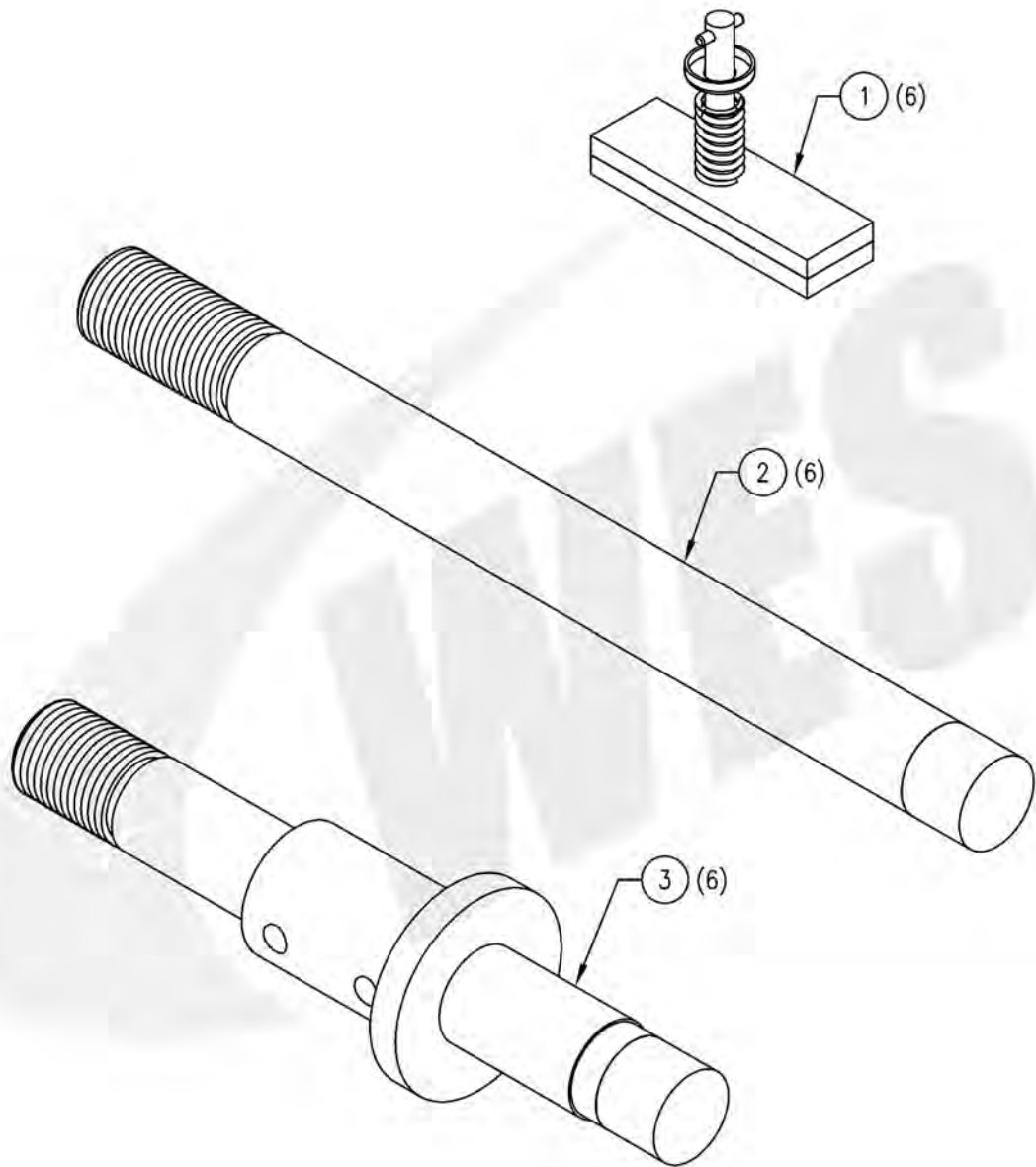
EQUIPMENT: GE LR59, LR45 & LRS

TITLE: KIT, CONTACT

DWG NO. 06-619-0000K

REV: 0

PARTS LIST			
ITEM NO.	PART NUMBER	DESCRIPTION	QTY
1	06-619-0020	CONTACT ASSEMBLY, STATIONARY, OIL BLAST	6
2	06-619-0025	CONTACT ROD ASSEMBLY, MOVING	6
3	06-619-0030	CONTACT ROD ASSEMBLY, STATIONARY	6



WESTERN ELECTRICAL SERVICES

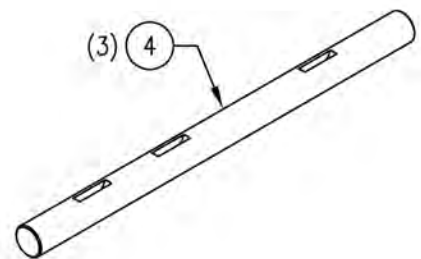
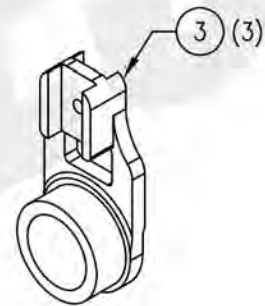
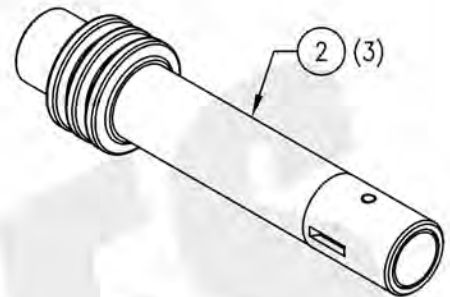
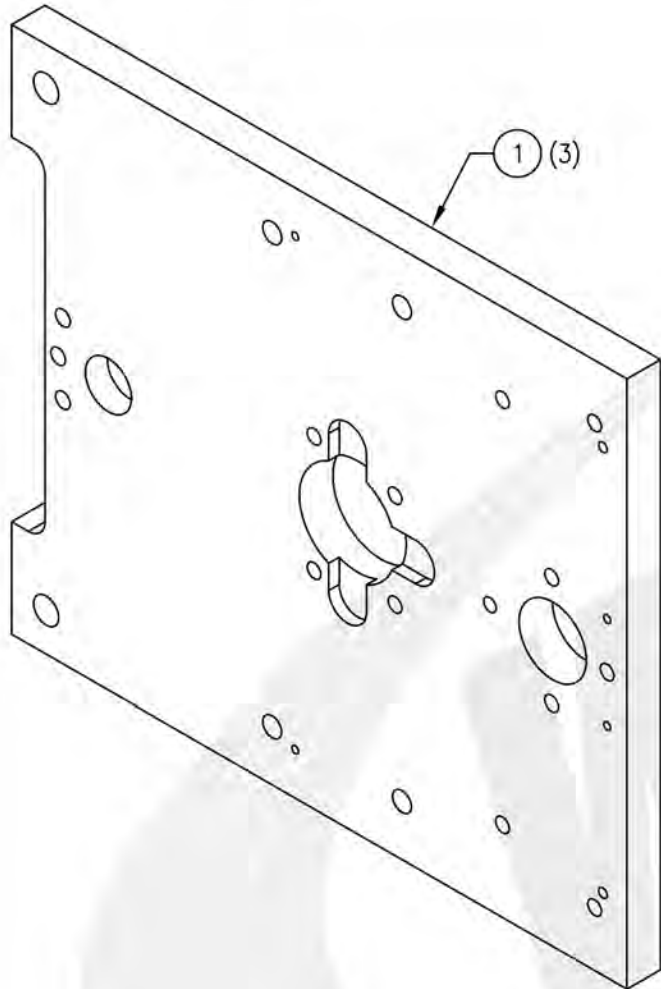
EQUIPMENT: GE LR59, LR45 & LRS

TITLE: NOT INCLUDED IN KIT

DWG NO. 06-619-0001K-2

REV: 0

PARTS LIST			
ITEM NO.	PART NUMBER	DESCRIPTION	QTY
1	06-606-0049	PANEL, SELECTOR SWITCH	3
2	06-606-0050	CENTER SHAFT	3
3	06-606-0054	SUPPORT, CONTACT	3
4	06-606-0056	SHAFT, DRIVE	3



WESTERN ELECTRICAL SERVICES

EQUIPMENT: GE LR65

TITLE: NOT INCLUDED IN KIT

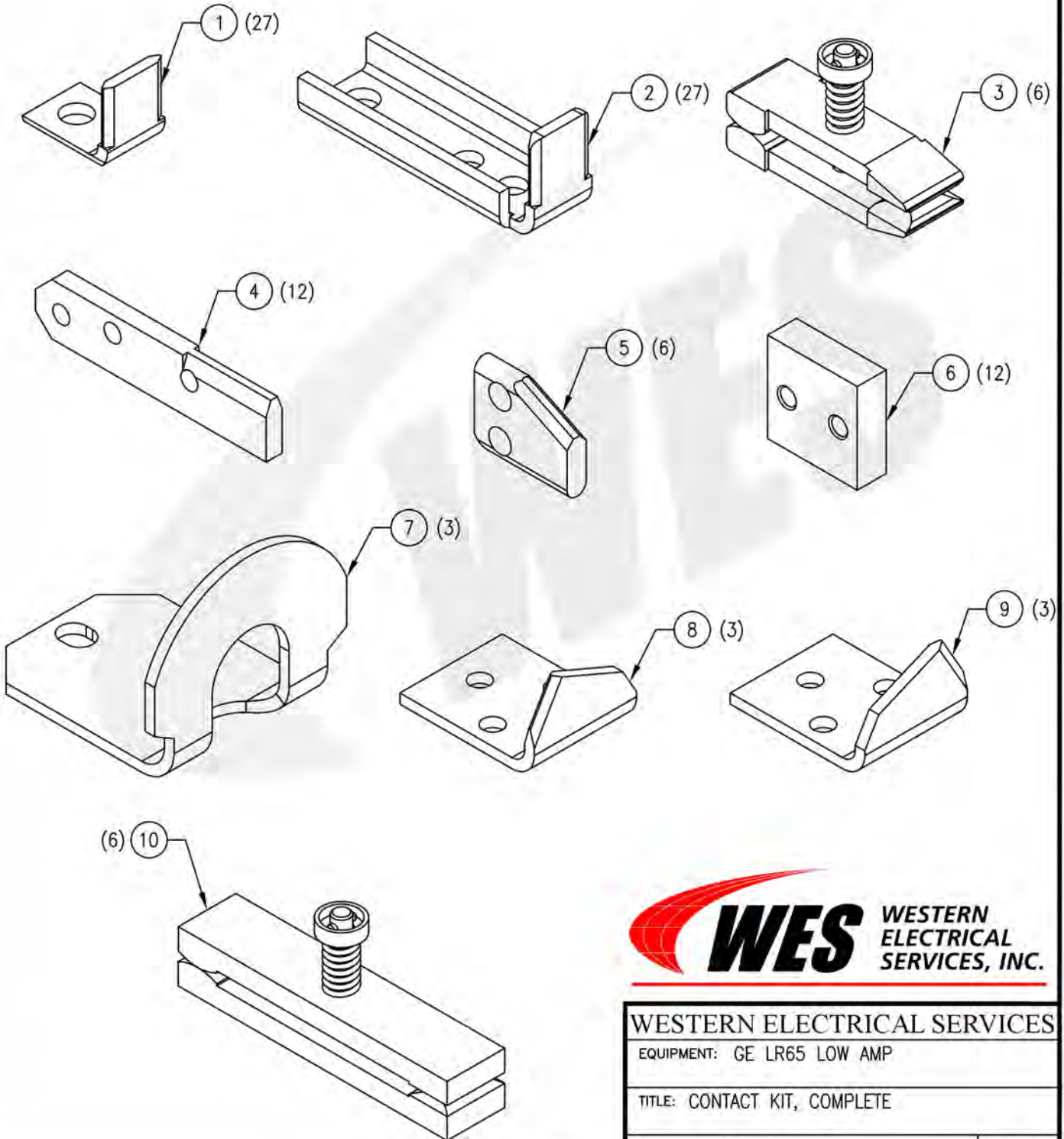
DWG NO. 06-606-0000K-2

REV: 0



PARTS LIST			
ITEM NO.	PART NUMBER	DESCRIPTION	QTY
1	06-606-0001P	CONTACT, STATIONARY INNER, SELECTOR SWITCH	27
2	06-606-0002P	CONTACT, STATIONARY OUTER, SELECTOR SWITCH	27
3	06-606-0003	CONTACT ASSEMBLY, MOVING, SELECTOR SWITCH	6
4	06-606-0004P	CONTACT, TRANSFER SWITCH, L.H./R.H.	12
5	06-606-0005P	CONTACT, STATIONARY, TRANSFER SWITCH	6

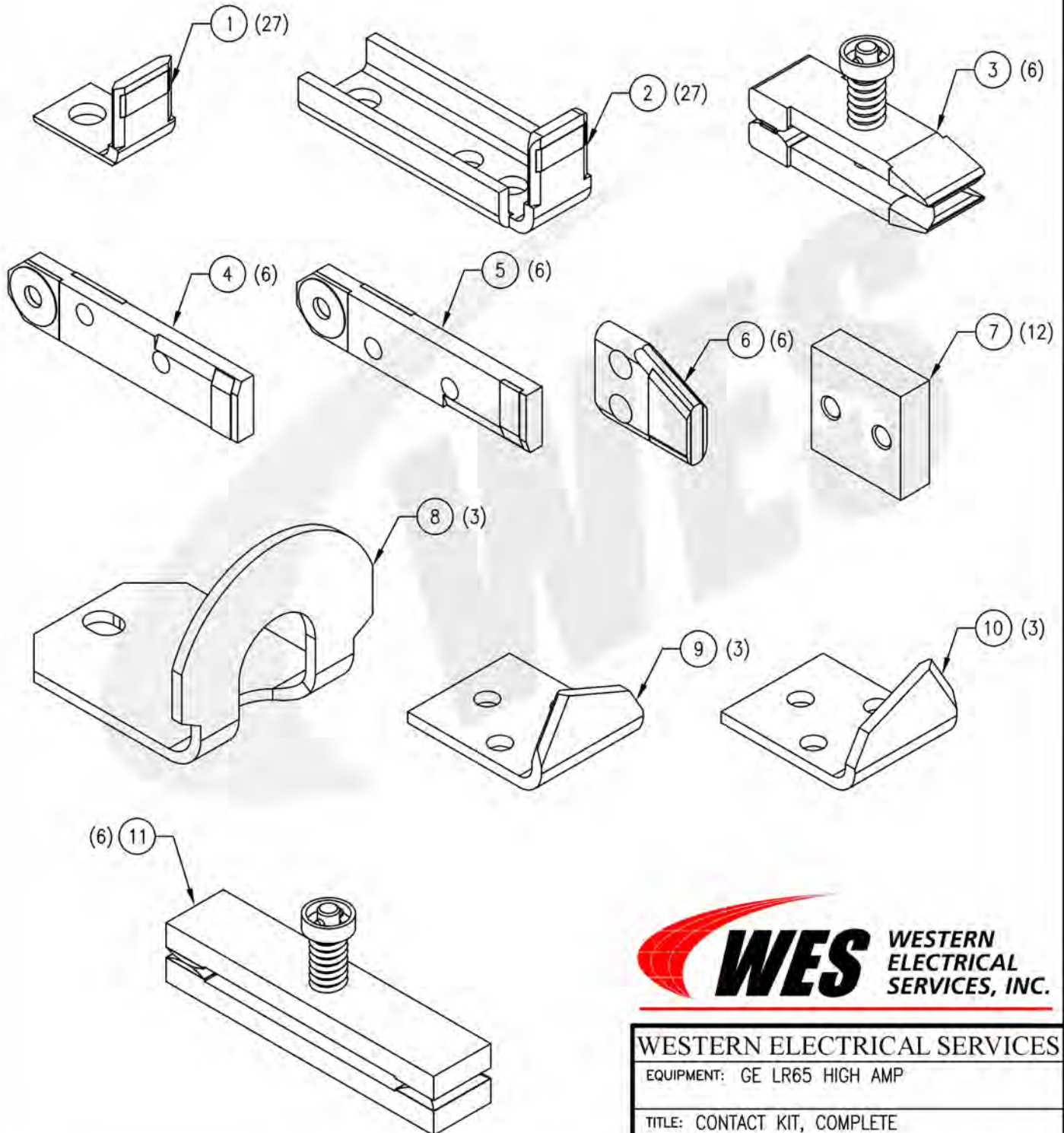
PARTS LIST			
ITEM NO.	PART NUMBER	DESCRIPTION	QTY
6	06-606-0006	CONTACT, ARCING	12
7	06-606-0007P	CONTACT, STATIONARY NEUTRAL, REVERSING SWITCH	3
8	06-606-0008P	CONTACT, STATIONARY, R.H., REVERSING SWITCH	3
9	06-606-0009P	CONTACT, STATIONARY, L.H., REVERSING SWITCH	3
10	06-606-0010	CONTACT ASSEMBLY, MOVING, REVERSING SWITCH	6



WESTERN ELECTRICAL SERVICES	
EQUIPMENT: GE LR65 LOW AMP	
TITLE: CONTACT KIT, COMPLETE	
DWG NO. 06-606-0000K	REV: 0

PARTS LIST			
ITEM NO.	PART NUMBER	DESCRIPTION	QTY
1	06-606-0012P	CONTACT, STATIONARY INNER, SELECTOR SWITCH	27
2	06-606-0013P	CONTACT, STATIONARY OUTER, SELECTOR SWITCH	27
3	06-606-0014	CONTACT ASSEMBLY, MOVING, SELECTOR SWITCH	6
4	06-606-0015	CONTACT ASSEMBLY, R.H., TRANSFER SWITCH	6
5	06-606-0016	CONTACT ASSEMBLY, L.H., TRANSFER SWITCH	6
6	06-606-0017P	CONTACT ASSEMBLY, TRANSFER SWITCH STATIONARY	6

PARTS LIST			
ITEM NO.	PART NUMBER	DESCRIPTION	QTY
7	06-606-0006	CONTACT, ARCING	12
8	06-606-0018P	CONTACT, STATIONARY NEUTRAL, REVERSING SWITCH	3
9	06-606-0019P	CONTACT ASSEMBLY, STATIONARY, R.H., REVERSING SWITCH	3
10	06-606-0020P	CONTACT ASSEMBLY, STATIONARY, L.H., REVERSING SWITCH	3
11	06-606-0021	CONTACT ASSEMBLY, MOVING, REVERSING SWITCH	6



WESTERN ELECTRICAL SERVICES

EQUIPMENT: GE LR65 HIGH AMP

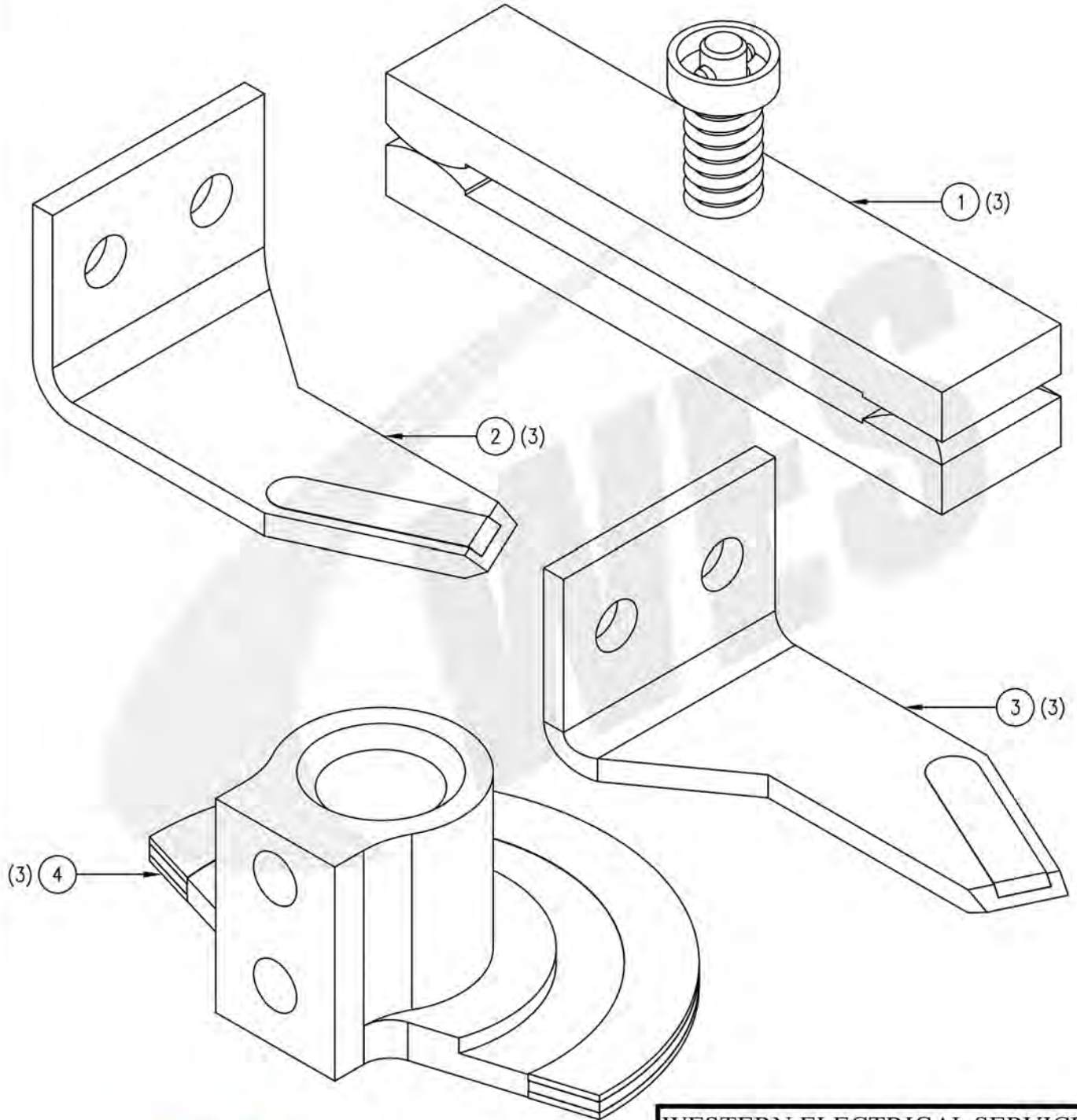
TITLE: CONTACT KIT, COMPLETE

DWG NO. 06-606-0001K

REV: 1



PARTS LIST			
ITEM NO.	PART NUMBER	DESCRIPTION	QTY
1	06-606-0021U	CONTACT ASSEMBLY, MOVING, REVERSING SWITCH	3
2	06-606-0057U	CONTACT, RIGHT HAND REVERSING SWITCH STATIONARY	3
3	06-606-0058U	CONTACT, LEFT HAND REVERSING SWITCH STATIONARY	3
4	06-606-0059U	CONTACT, REVERSING SWITCH NEUTRAL	3



WESTERN ELECTRICAL SERVICES

EQUIPMENT: GE LRT65 HIGH AMP

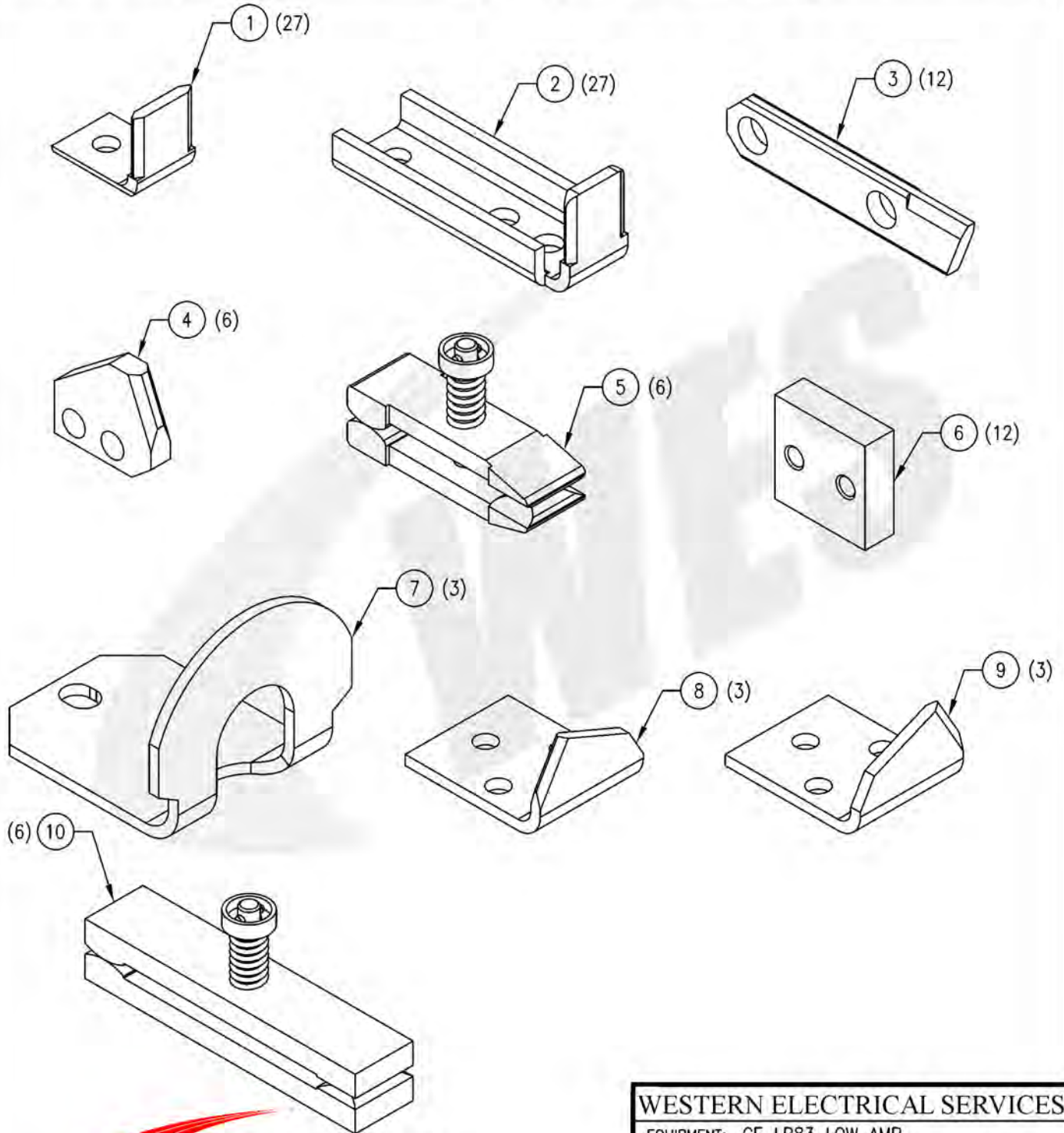
TITLE: KIT, REVERSING SWITCH CONTACT

DWG NO. 06-606-0009KU

REV: 0

PARTS LIST			
ITEM NO.	PART NUMBER	DESCRIPTION	QTY
1	06-607-0001P	CONTACT, STATIONARY INNER, SELECTOR SWITCH	27
2	06-607-0002P	CONTACT, STATIONARY OUTER, SELECTOR SWITCH	27
3	06-607-0003P	CONTACT, TRANSFER SWITCH, L.H./R.H.	12
4	06-607-0004P	CONTACT, STATIONARY, TRANSFER SWITCH	6
5	06-606-0003	CONTACT ASSEMBLY, MOVING, SELECTOR SWITCH	6

PARTS LIST			
ITEM NO.	PART NUMBER	DESCRIPTION	QTY
6	06-606-0006	CONTACT, ARCING	12
7	06-606-0007P	CONTACT, STATIONARY NEUTRAL, REVERSING SWITCH	3
8	06-606-0008P	CONTACT, STATIONARY, R.H., REVERSING SWITCH	3
9	06-606-0009P	CONTACT, STATIONARY, L.H., REVERSING SWITCH	3
10	06-606-0010	CONTACT ASSEMBLY, MOVING, REVERSING SWITCH	6



WESTERN ELECTRICAL SERVICES

EQUIPMENT: GE LR83 LOW AMP

TITLE: CONTACT KIT, COMPLETE

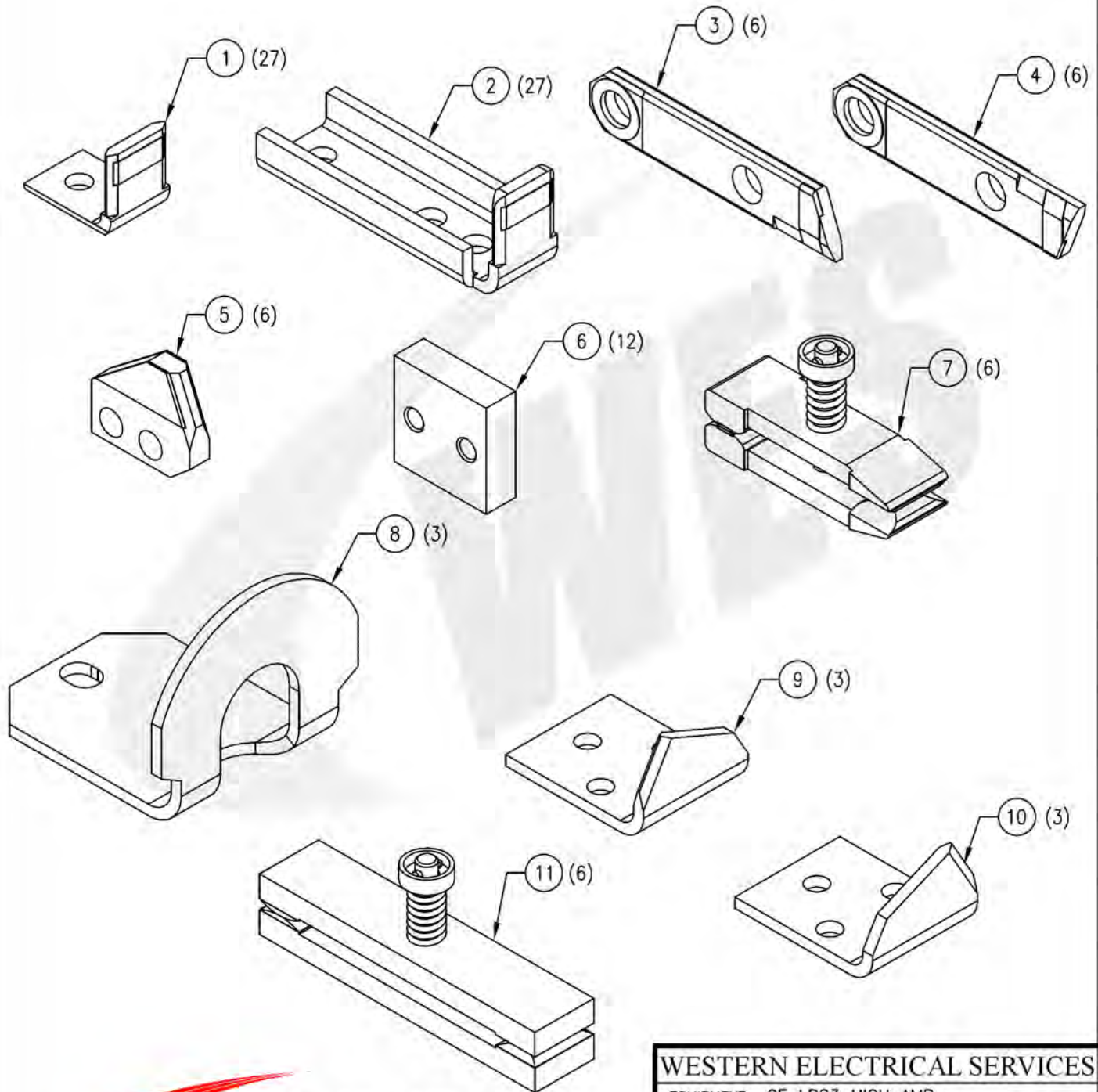
DWG NO. 06-607-0000K

REV: 0



PARTS LIST			
ITEM NO.	PART NUMBER	DESCRIPTION	QTY
1	06-607-0005P	CONTACT, STATIONARY INNER, SELECTOR SWITCH	27
2	06-607-0006P	CONTACT, STATIONARY OUTER, SELECTOR SWITCH	27
3	06-607-0007	CONTACT, TRANSFER SWITCH, L.H.	6
4	06-607-0008	CONTACT, TRANSFER SWITCH, R.H.	6
5	06-607-0009P	CONTACT, STATIONARY, TRANSFER SWITCH	6
6	06-606-0006	CONTACT, ARCING	12

PARTS LIST			
ITEM NO.	PART NUMBER	DESCRIPTION	QTY
7	06-606-0014	CONTACT ASSEMBLY, MOVING, SELECTOR SWITCH	6
8	06-606-0018P	CONTACT, STATIONARY NEUTRAL, REVERSING SWITCH	3
9	06-606-0019P	CONTACT, STATIONARY, R.H., REVERSING SWITCH	3
10	06-606-0020P	CONTACT, STATIONARY, L.H., REVERSING SWITCH	3
11	06-606-0021	CONTACT ASSEMBLY, MOVING, REVERSING SWITCH	6



WESTERN ELECTRICAL SERVICES

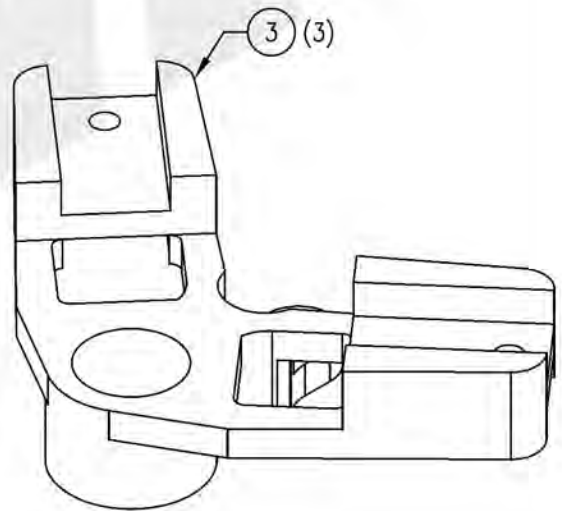
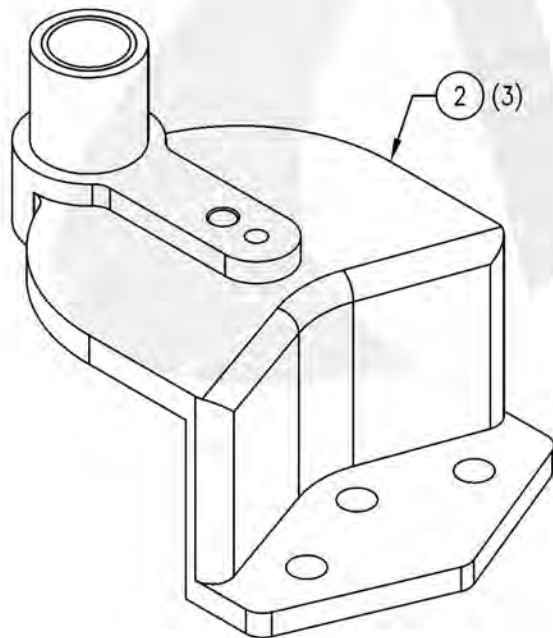
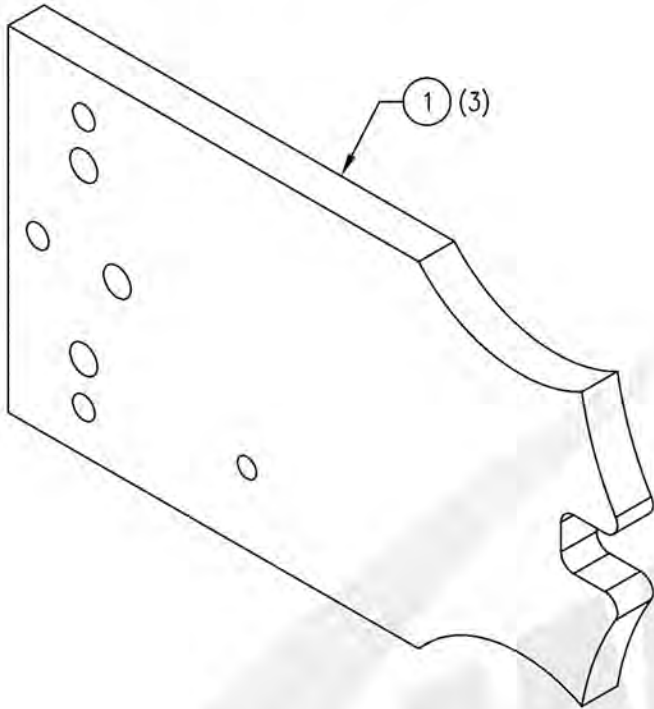
EQUIPMENT: GE LR83 HIGH AMP

TITLE: CONTACT KIT, COMPLETE

DWG NO. 06-607-0001K

REV: 1

PARTS LIST			
ITEM NO.	PART NUMBER	DESCRIPTION	QTY
1	06-607-0016	DRIVE ARM, REVERSING SWITCH	3
2	06-607-0019	BASE ASSEMBLY, DRIVE ARM	3
3	06-607-0020	CONTACT SUPPORT, REVERSING SWITCH	3



WESTERN ELECTRICAL SERVICES

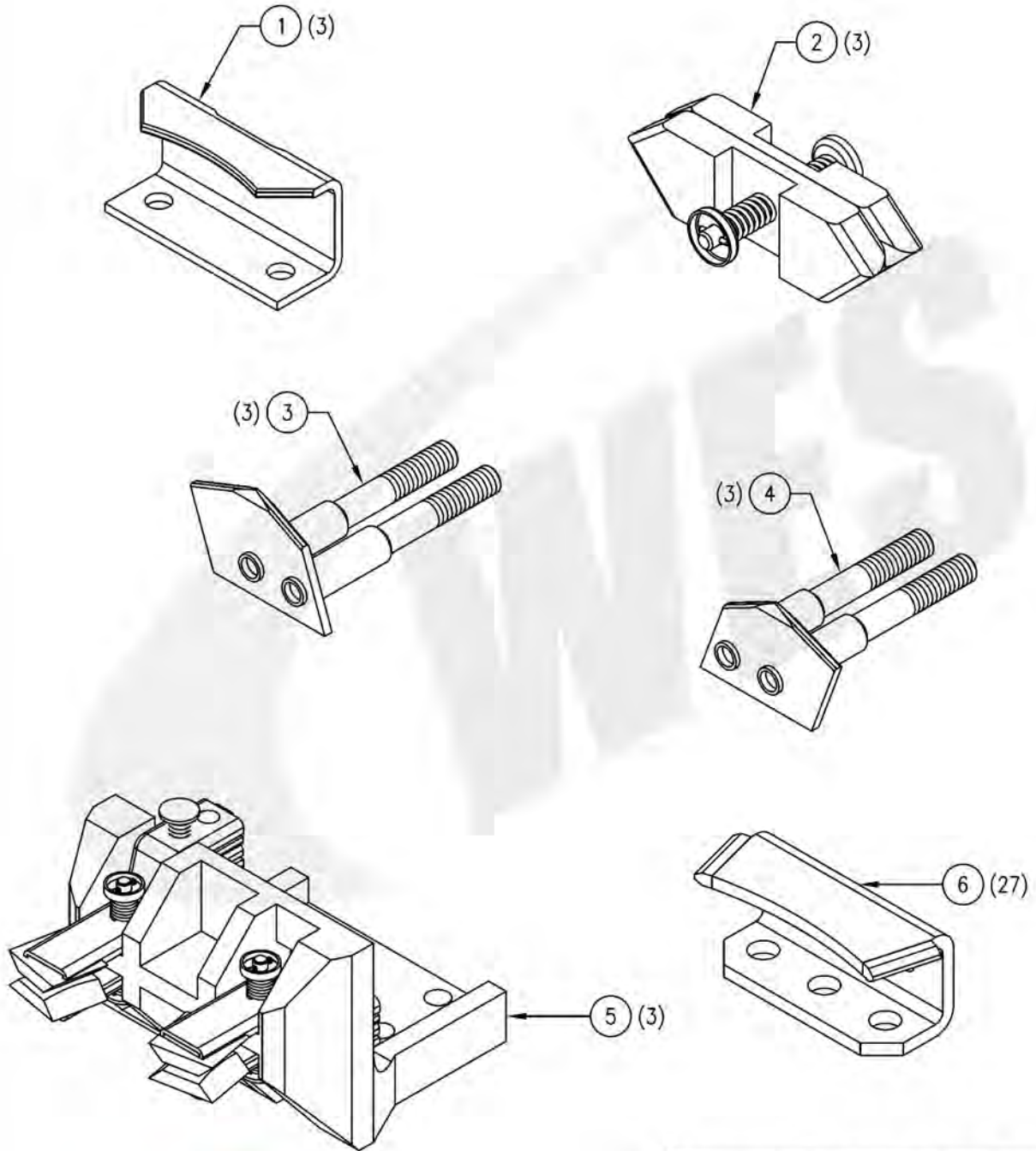
EQUIPMENT: GE LR83

TITLE: NOT INCLUDED IN KIT

DWG NO. 06-607-0000K-2

REV: 0

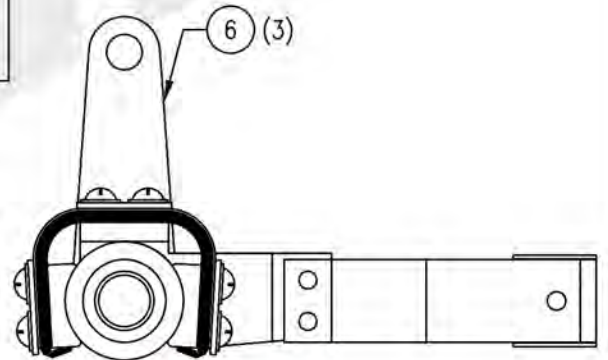
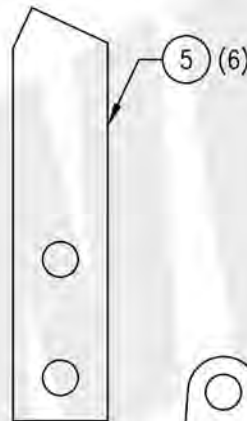
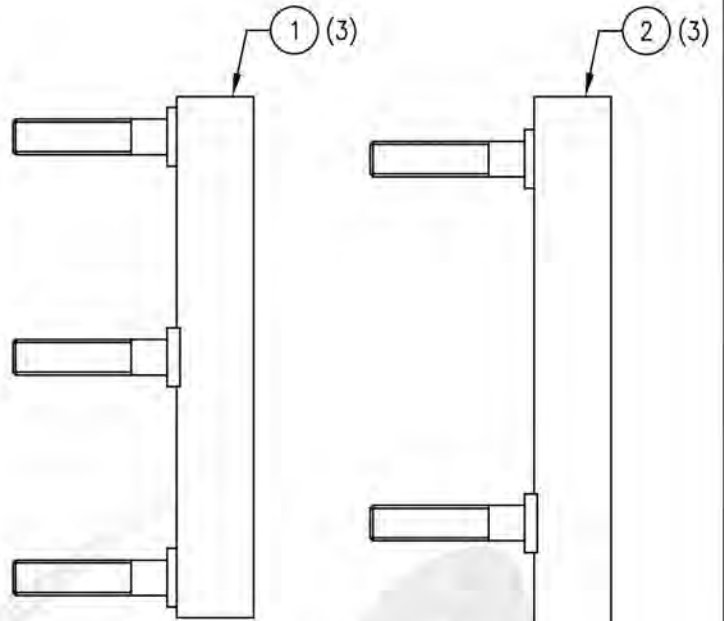
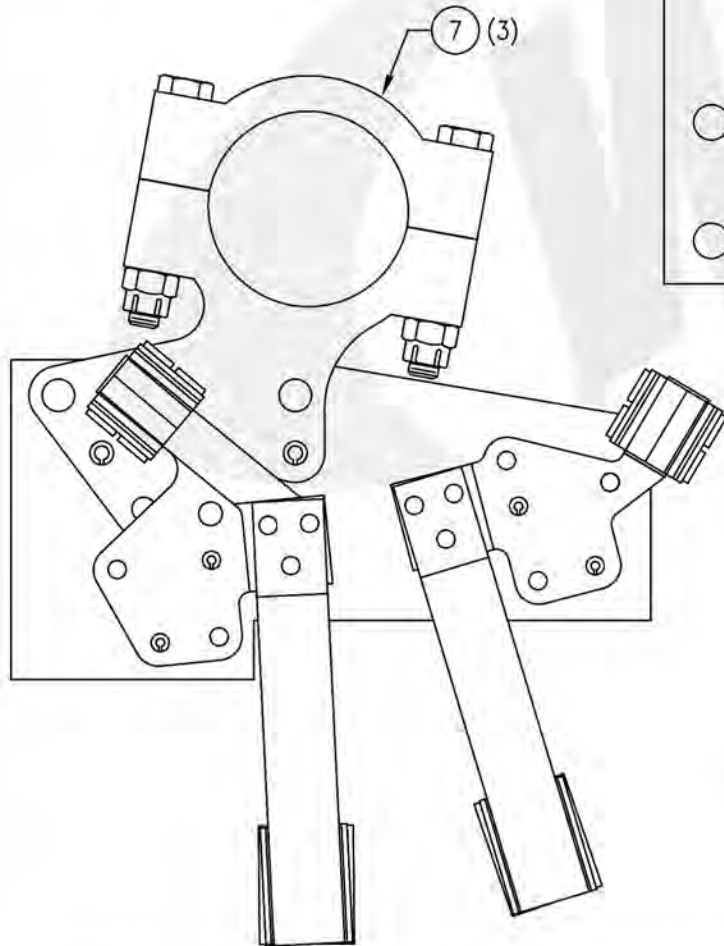
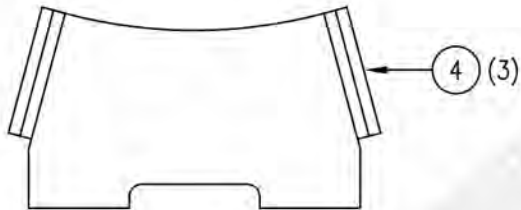
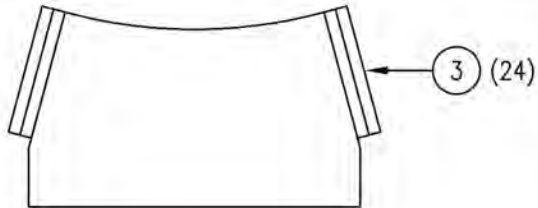
PARTS LIST			
ITEM NO.	PART NUMBER	DESCRIPTION	QTY
1	06-609-0002P	CONTACT, STATIONARY, NEUTRAL, REVERSING SWITCH	3
2	06-609-0003	CONTACT ASSEMBLY, MOVING, REVERSING SWITCH	3
3	06-609-0008	CONTACT ASSEMBLY, R.H., STATIONARY, REVERSING SWITCH	3
4	06-609-0011	CONTACT ASSEMBLY, L.H., STATIONARY, REVERSING SWITCH	3
5	06-609-0012	MOVING CONTACT ASSEMBLY SELECTOR SWITCH	3
6	06-609-0028	CONTACT ASSEMBLY, MAIN STATIONARY	27



<b>WESTERN ELECTRICAL SERVICES</b>	
EQUIPMENT: GE LRT48 (OLD STYLE)	
TITLE: REPLACEMENT PARTS	
DWG NO. 06-609-0000K	REV: 2



PARTS LIST			
ITEM NO.	PART NUMBER	DESCRIPTION	QTY
1	06-604-0001	COLLECTOR RING, INNER	3
2	06-604-0004	COLLECTOR RING, OUTER	3
3	06-604-0006	CONTACT, STATIONARY, SELECTOR SWITCH	24
4	06-604-0007	CONTACT, STATIONARY, SELECTOR SWITCH	3
5	06-605-0001P	CONTACT, STATIONARY, L.H./R.H., REVERSING SWITCH	6
6	06-605-0002	CONTACT ASSEMBLY, MOVING, REVERSING SWITCH	3
7	06-605-0025	CONTACT ASSEMBLY, MOVING, SELECTOR SWITCH	3



WESTERN ELECTRICAL SERVICES

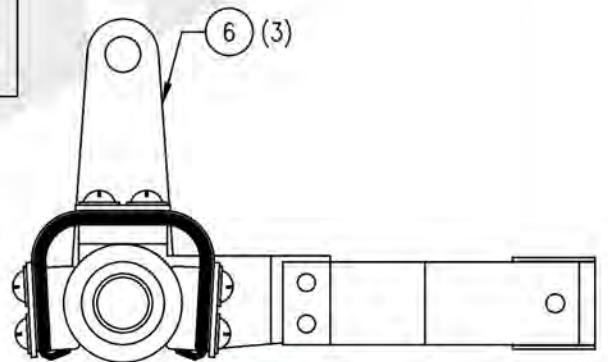
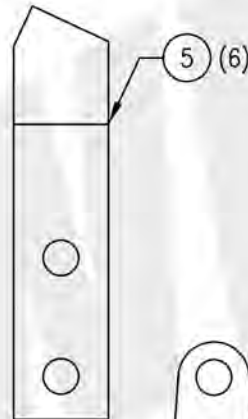
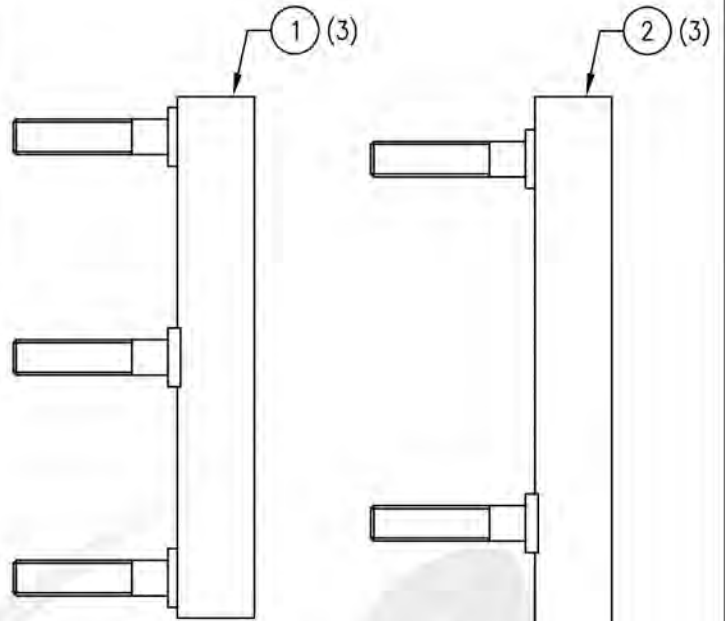
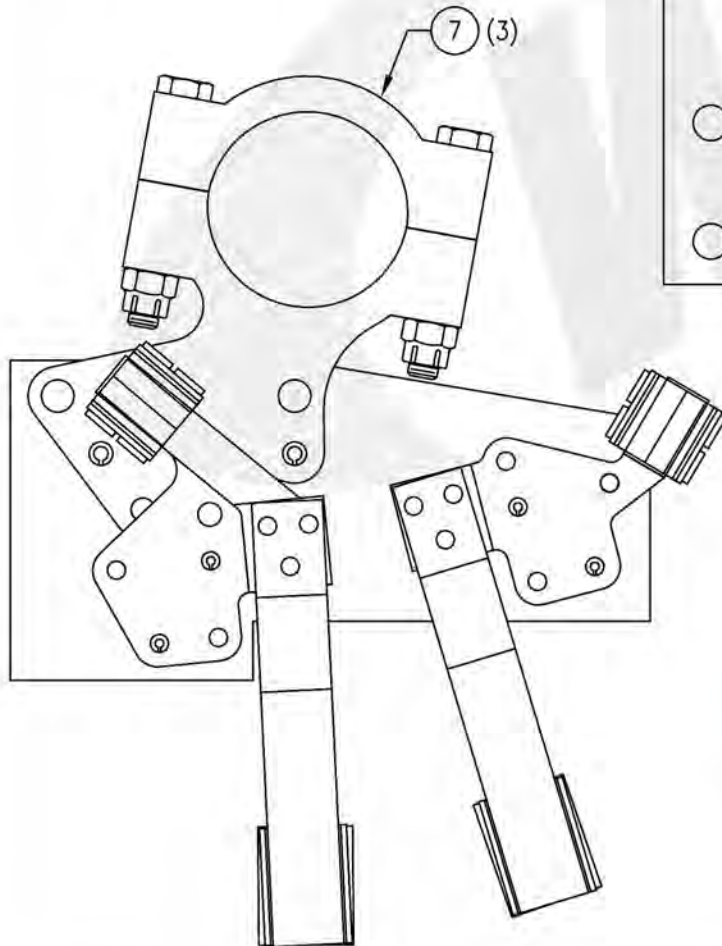
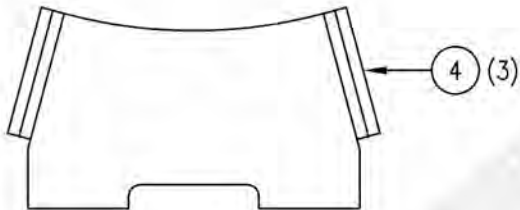
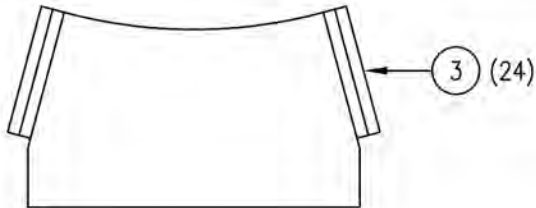
EQUIPMENT: GE LRT68 LOW AMP

TITLE: CONTACT KIT, COMPLETE

DWG NO. 06-605-0000K

REV: 0

PARTS LIST			
ITEM NO.	PART NUMBER	DESCRIPTION	QTY
1	06-604-0001	COLLECTOR RING, INNER	3
2	06-604-0004	COLLECTOR RING, OUTER	3
3	06-604-0006	CONTACT, STATIONARY, SELECTOR SWITCH	24
4	06-604-0007	CONTACT, STATIONARY, SELECTOR SWITCH	3
5	06-605-0032P	CONTACT, STATIONARY, L.H./R.H., REVERSING SWITCH	6
6	06-605-0033	CONTACT ASSEMBLY, MOVING, REVERSING SWITCH	3
7	06-605-0036	CONTACT ASSEMBLY, MOVING, SELECTOR SWITCH	3



WESTERN ELECTRICAL SERVICES

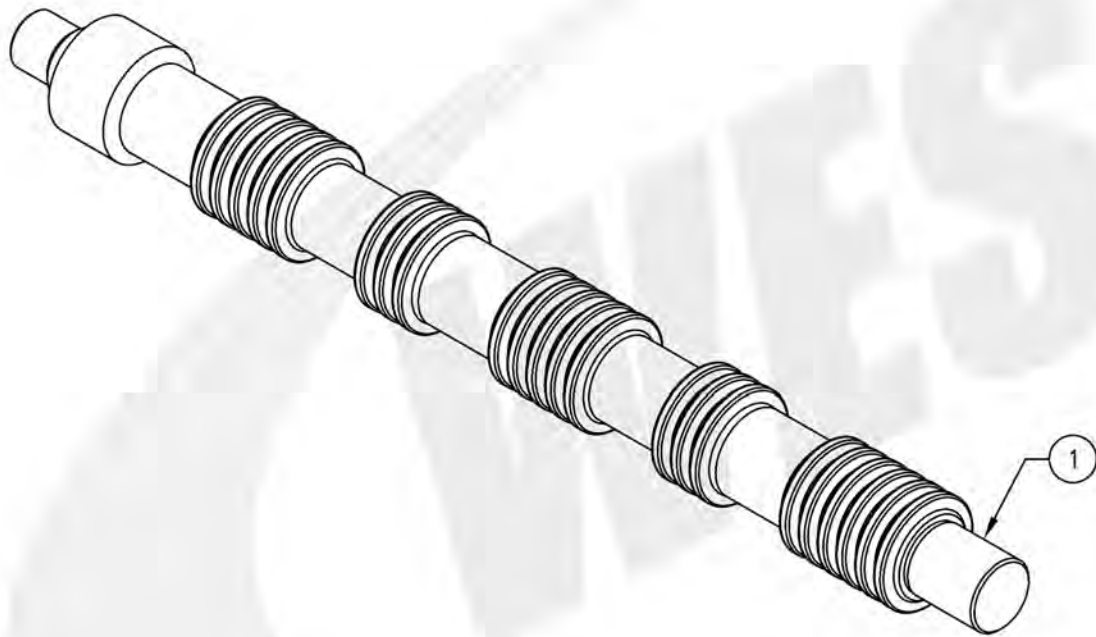
EQUIPMENT: GE LRT68 HIGH AMP

TITLE: CONTACT KIT, COMPLETE

DWG NO. 06-605-0001K

REV: 0

PARTS LIST			
ITEM NO.	PART NUMBER	DESCRIPTION	QTY
1	06-605-0038	SHAFT, MAIN ROTARY	1



WESTERN ELECTRICAL SERVICES

EQUIPMENT: GE LRT68 LOW/HIGH AMP

TITLE: NOT INCLUDED IN KIT

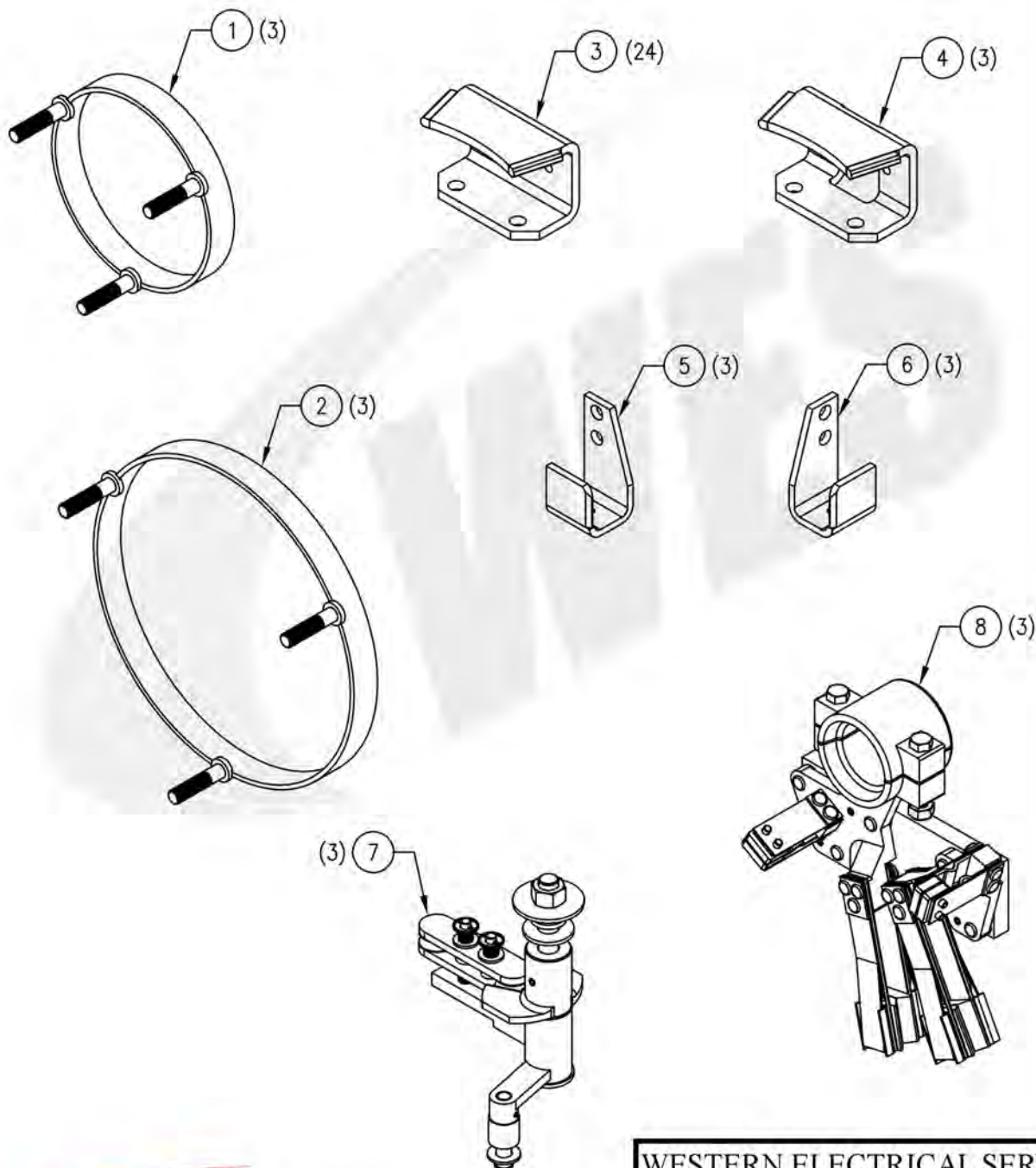
DWG NO. 06-605-0000K-2

REV: 0



PARTS LIST			
ITEM NO.	PART NUMBER	DESCRIPTION	QTY
1	06-604-0001	COLLECTOR RING, INNER	3
2	06-604-0004	COLLECTOR RING, OUTER	3
3	06-604-0006	CONTACT, STATIONARY, SELECTOR SWITCH	24
4	06-604-0007	CONTACT, STATIONARY, SELECTOR SWITCH	3

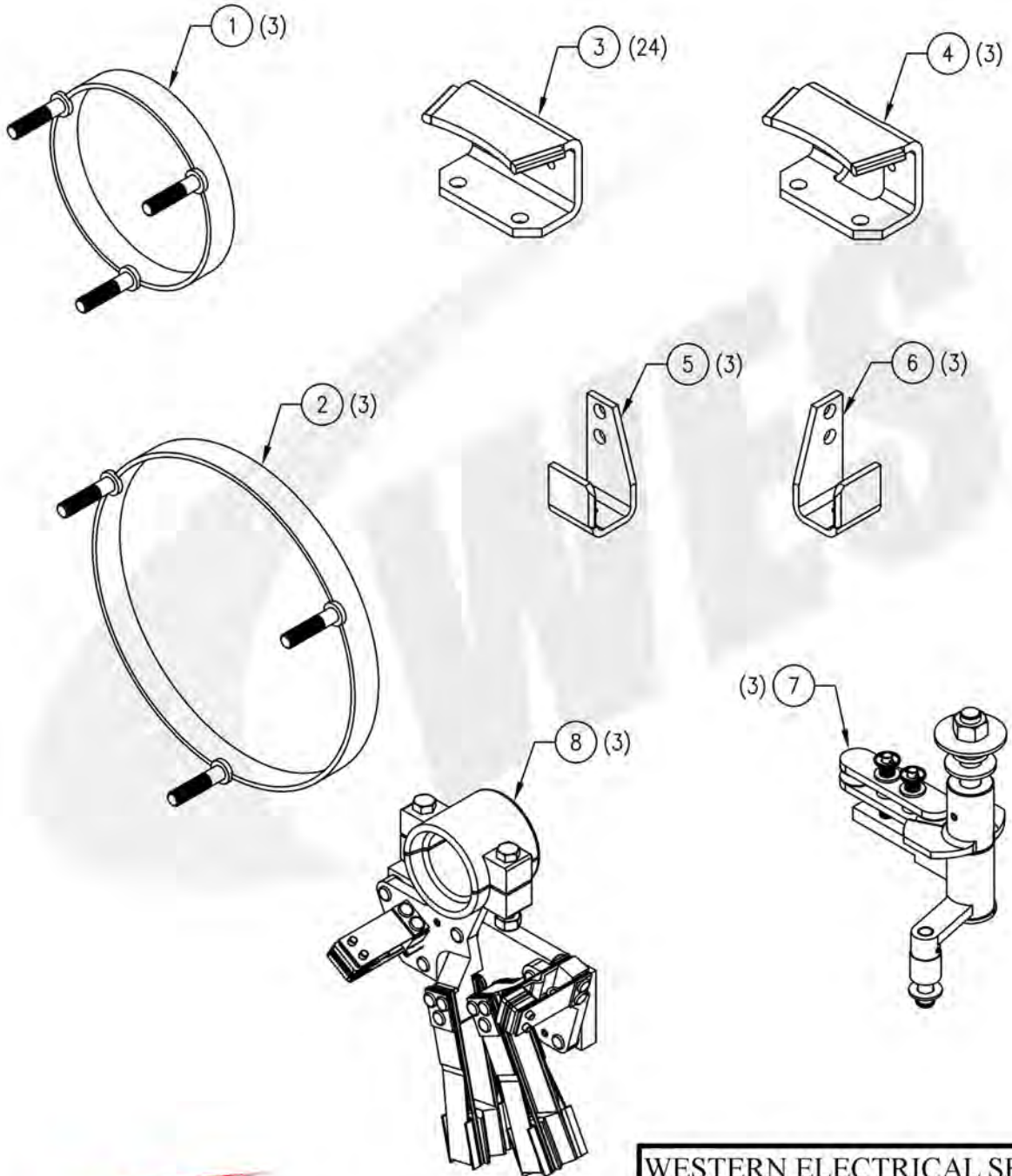
PARTS LIST			
ITEM NO.	PART NUMBER	DESCRIPTION	QTY
5	06-604-0008U	CONTACT, STATIONARY, L.H., REVERSING SWITCH	3
6	06-604-0009U	CONTACT, STATIONARY, R.H., REVERSING SWITCH	3
7	06-604-0010	CONTACT ASSEMBLY, MOVING, REVERSING SWITCH	3
8	06-604-0026	CONTACT ASSEMBLY, MOVING, SELECTOR SWITCH	3



<b>WESTERN ELECTRICAL SERVICES</b>	
EQUIPMENT: GE LRT72 LOW AMP	
TITLE: CONTACT KIT, COMPLETE	
DWG NO. 06-604-0000K	REV: 0

PARTS LIST			
ITEM NO.	PART NUMBER	DESCRIPTION	QTY
1	06-604-0001	COLLECTOR RING, INNER	3
2	06-604-0004	COLLECTOR RING, OUTER	3
3	06-604-0006	CONTACT, STATIONARY, SELECTOR SWITCH	24
4	06-604-0007	CONTACT, STATIONARY, SELECTOR SWITCH	3

PARTS LIST			
ITEM NO.	PART NUMBER	DESCRIPTION	QTY
5	06-604-0008U	CONTACT, STATIONARY, L.H., REVERSING SWITCH	3
6	06-604-0009U	CONTACT, STATIONARY, R.H., REVERSING SWITCH	3
7	06-604-0049	CONTACT ASSEMBLY, MOVING, REVERSING SWITCH	3
8	06-604-0053	CONTACT ASSEMBLY, MOVING, SELECTOR SWITCH	3



WESTERN ELECTRICAL SERVICES

EQUIPMENT: GE LRT72 HIGH AMP

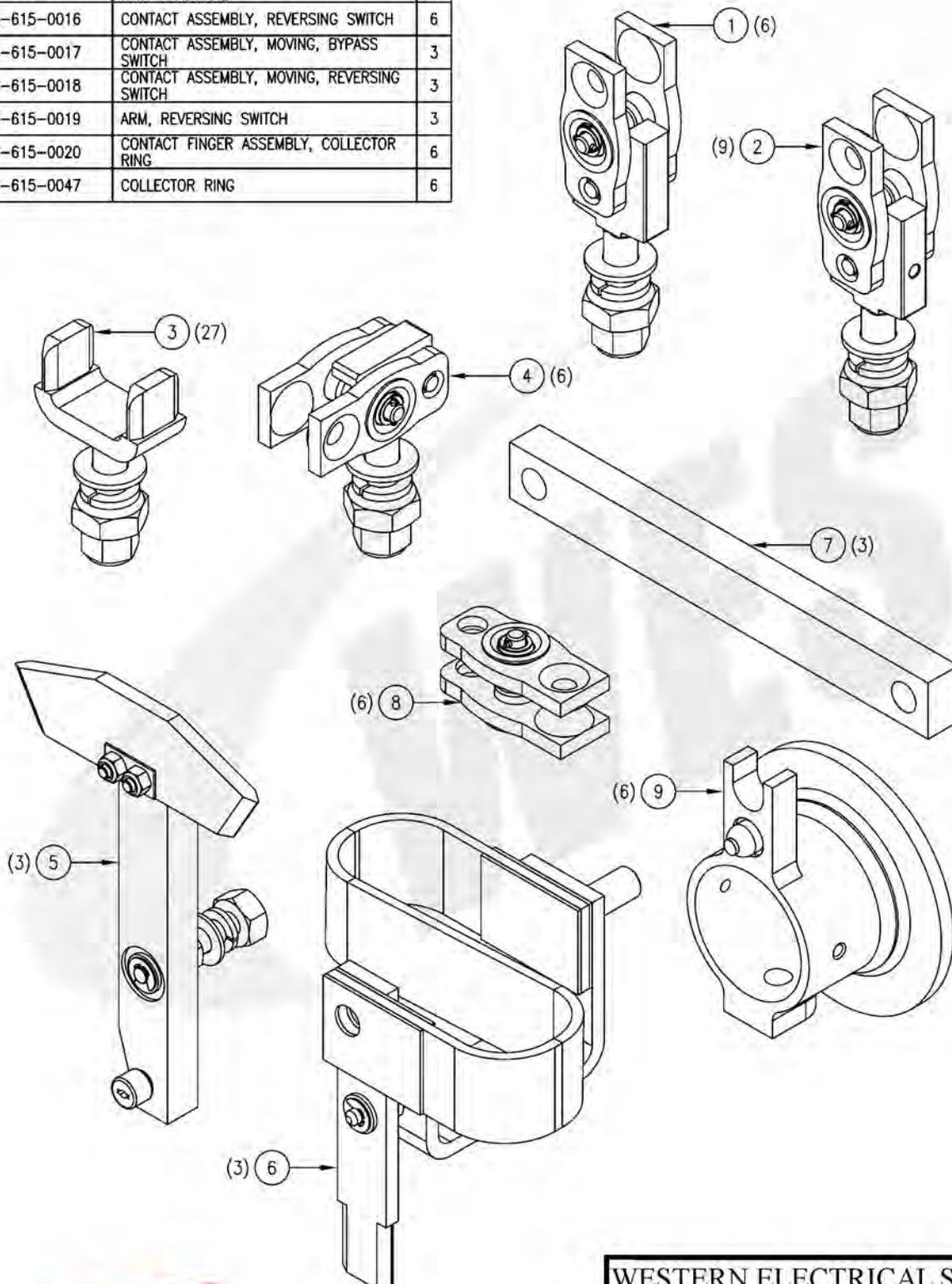
TITLE: CONTACT KIT, COMPLETE

DWG NO. 06-604-0001K

REV: 0



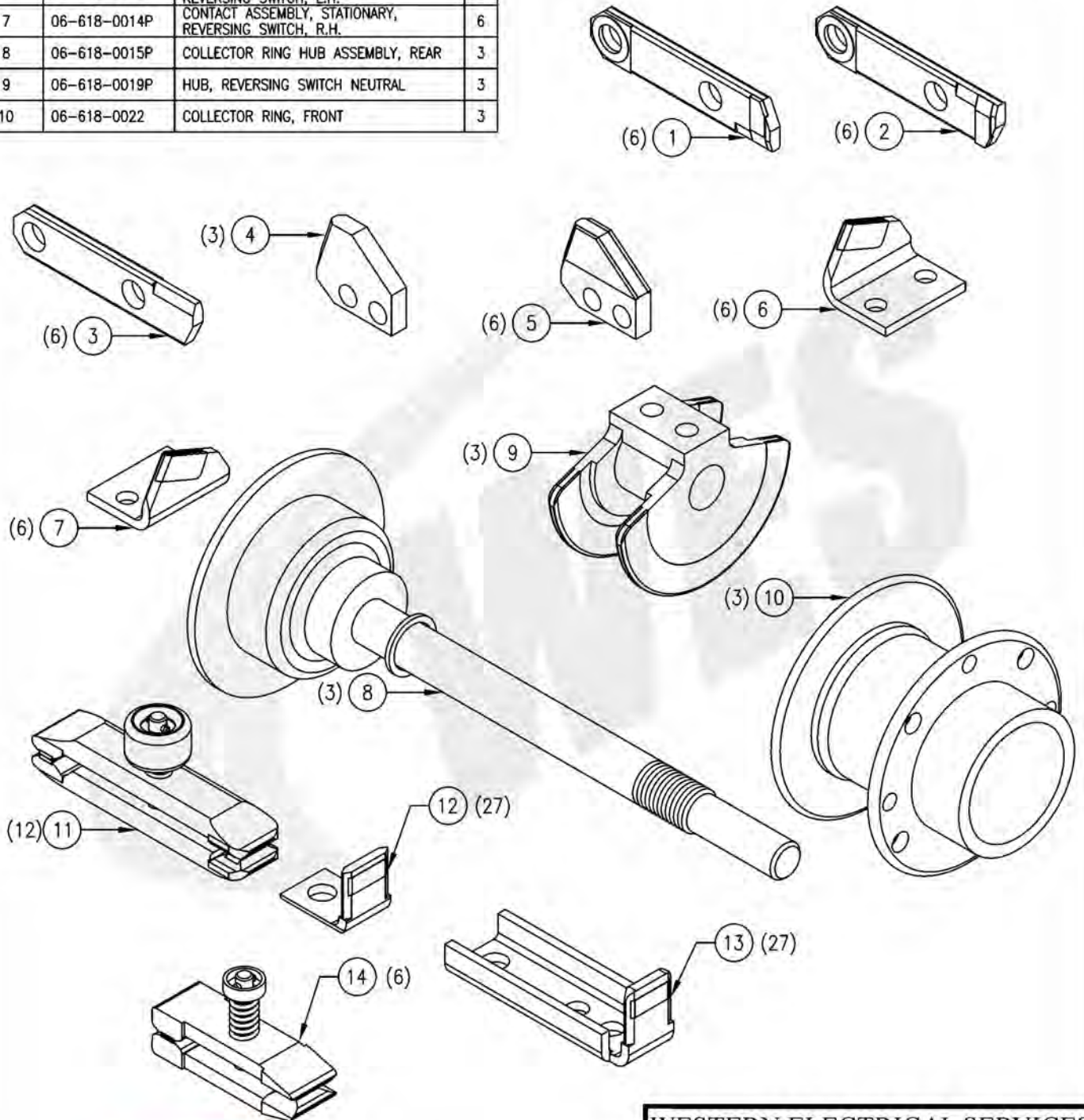
PARTS LIST			
ITEM NO.	PART NUMBER	DESCRIPTION	QTY
1	06-615-0013	CONTACT ASSEMBLY, COLLECTOR RING	6
2	06-615-0014	CONTACT ASSEMBLY, BYPASS SWITCH	9
3	06-615-0015	SELECTOR SWITCH STATIONARY CONTACT WITH HARDWARE	27
4	06-615-0016	CONTACT ASSEMBLY, REVERSING SWITCH	6
5	06-615-0017	CONTACT ASSEMBLY, MOVING, BYPASS SWITCH	3
6	06-615-0018	CONTACT ASSEMBLY, MOVING, REVERSING SWITCH	3
7	06-615-0019	ARM, REVERSING SWITCH	3
8	06-615-0020	CONTACT FINGER ASSEMBLY, COLLECTOR RING	6
9	06-615-0047	COLLECTOR RING	6



WESTERN ELECTRICAL SERVICES	
EQUIPMENT: GE LRT200-2	
TITLE: KIT, CONTACT	
DWG NO. 06-615-0000K	REV: 0

PARTS LIST			
ITEM NO.	PART NUMBER	DESCRIPTION	QTY
1	06-618-0001	CONTACT ASSEMBLY, TRANSFER SWITCH, L.H.	6
2	06-618-0004	CONTACT ASSEMBLY, TRANSFER SWITCH, R.H.	6
3	06-618-0005	CONTACT, SEQUENCE, MOVING, L.H./R.H.	6
4	06-618-0006	CONTACT, SEQUENCE, STATIONARY	3
5	06-618-0007	CONTACT ASSEMBLY, STATIONARY, TRANSFER SWITCH	6
6	06-618-0010P	CONTACT ASSEMBLY, STATIONARY, REVERSING SWITCH, L.H.	6
7	06-618-0014P	CONTACT ASSEMBLY, STATIONARY, REVERSING SWITCH, R.H.	6
8	06-618-0015P	COLLECTOR RING HUB ASSEMBLY, REAR	3
9	06-618-0019P	HUB, REVERSING SWITCH NEUTRAL	3
10	06-618-0022	COLLECTOR RING, FRONT	3

PARTS LIST			
ITEM NO.	PART NUMBER	DESCRIPTION	QTY
11	06-618-0024	CONTACT ASSEMBLY, MOVING, REVERSING SWITCH	12
12	06-606-0012P	CONTACT, STATIONARY INNER, SELECTOR SWITCH	27
13	06-606-0013P	CONTACT, STATIONARY OUTER, SELECTOR SWITCH	27
14	06-606-0003	CONTACT ASSEMBLY, MOVING, SELECTOR SWITCH	6



WESTERN ELECTRICAL SERVICES

EQUIPMENT: GE LRT500

TITLE: KIT, CONTACT

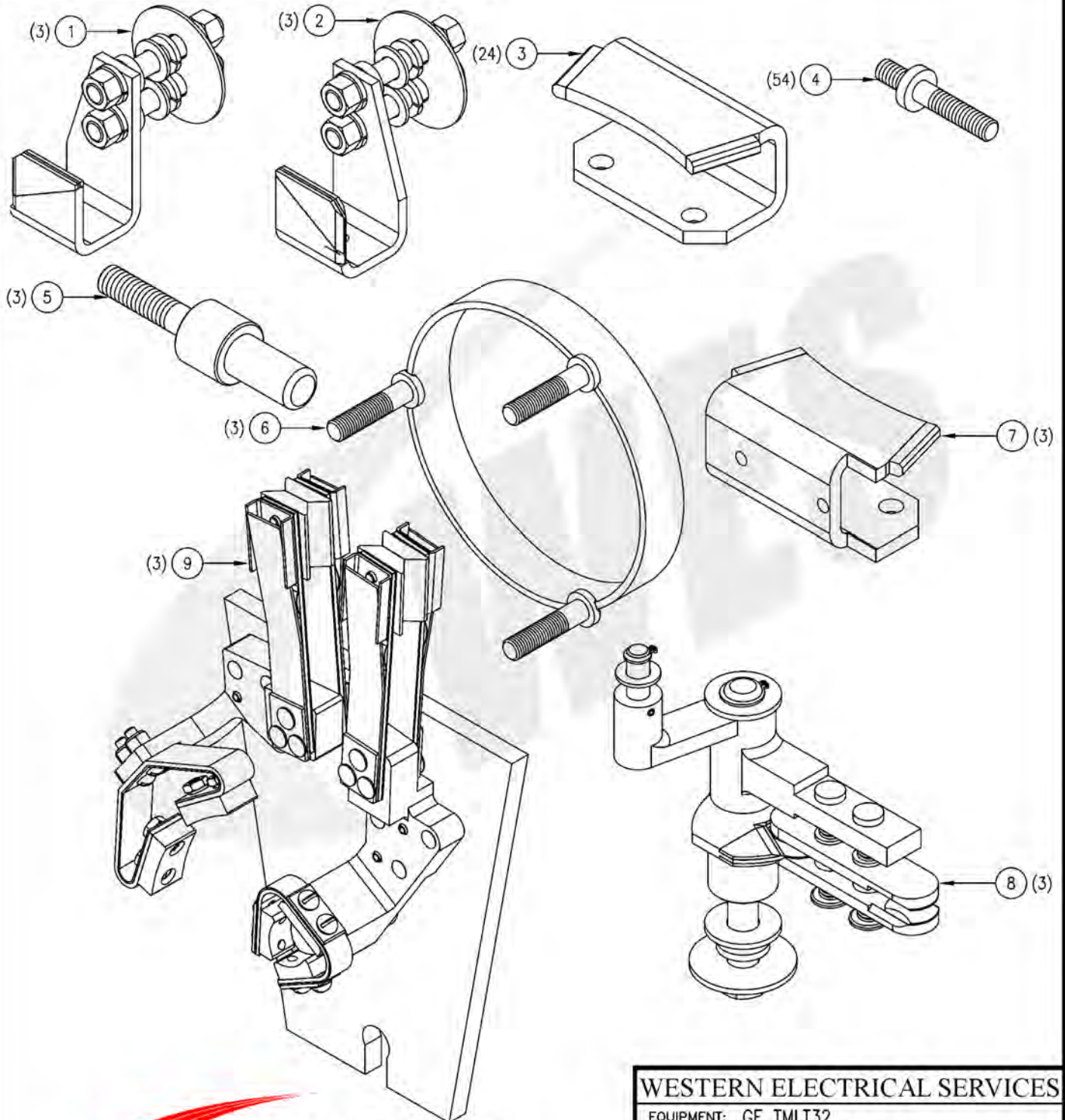
DWG NO. 06-618-0000K

REV: 0



PARTS LIST			
ITEM NO.	PART NUMBER	DESCRIPTION	QTY
1	06-616-0001U	CONTACT ASSEMBLY, STATIONARY, REVERSING SWITCH, RIGHT HAND	3
2	06-616-0002U	CONTACT ASSEMBLY, STATIONARY, REVERSING SWITCH, LEFT HAND	3
3	06-616-0003	CONTACT ASSEMBLY, STATIONARY, MAIN	24
4	06-616-0004	STUD, CONTACT	54
5	06-616-0005P	HUB, COLLECTOR	3

PARTS LIST			
ITEM NO.	PART NUMBER	DESCRIPTION	QTY
6	06-616-0006	COLLECTOR RING ASSEMBLY	3
7	06-616-0007	CONTACT ASSEMBLY, STATIONARY, MAIN (MODIFIED)	3
8	06-616-0008U	CONTACT ASSEMBLY, MOVING, REVERSING SWITCH	3
9	06-616-0009	CONTACT ASSEMBLY, MOVING, MAIN	3



WESTERN ELECTRICAL SERVICES

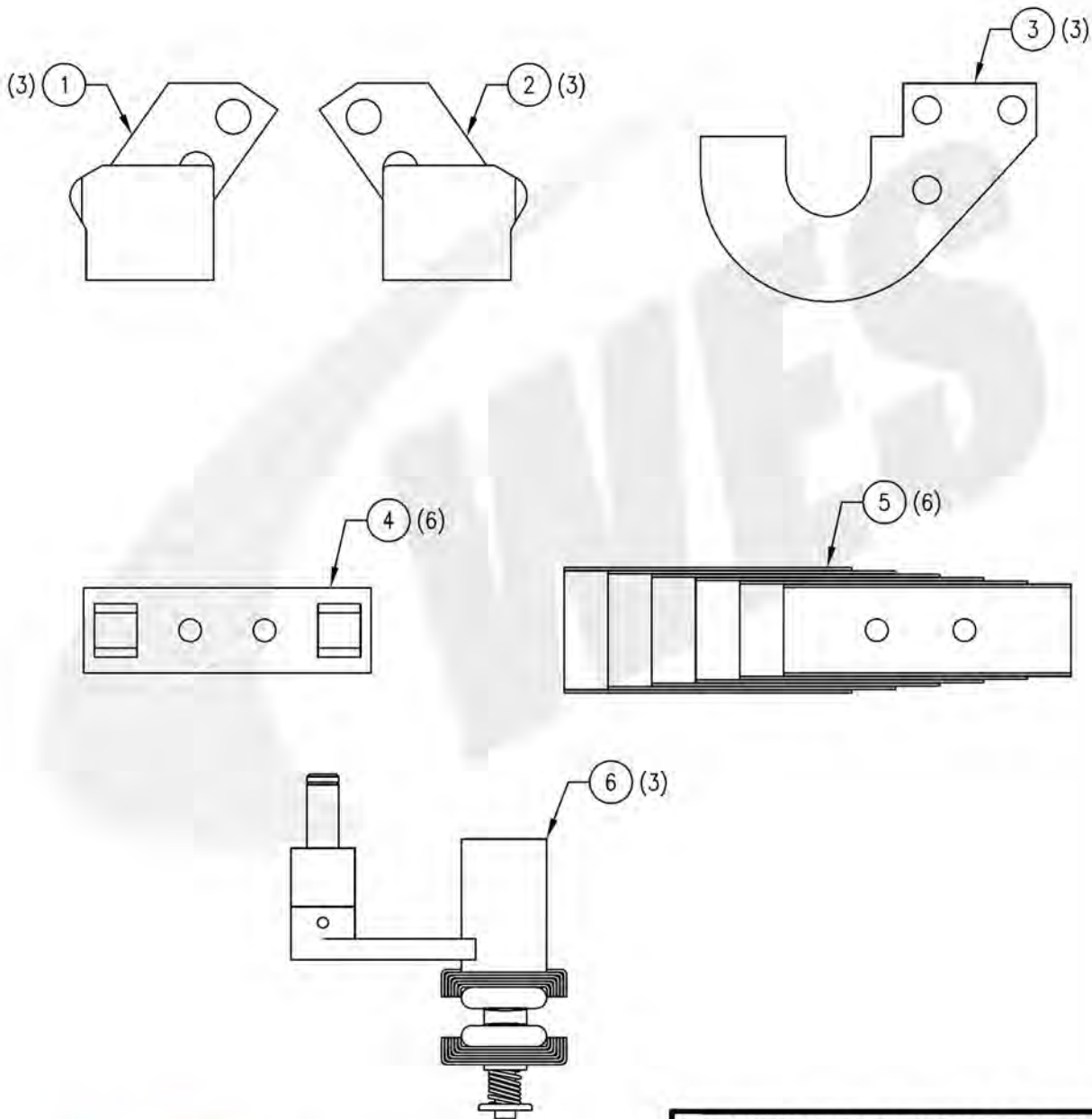
EQUIPMENT: GE TMLT32

TITLE: KIT, CONTACT

DWG NO. 06-616-0000KU

REV: 0

PARTS LIST			
ITEM NO.	PART NUMBER	DESCRIPTION	QTY
1	06-608-0001	CONTACT, STATIONARY, R.H., REVERSING SWITCH	3
2	06-608-0002	CONTACT, STATIONARY, L.H., REVERSING SWITCH	3
3	06-608-0003	CONTACT, STATIONARY NEUTRAL, REVERSING SWITCH	3
4	06-608-0004	CONTACT FINGER ASSEMBLY, MOVING, REVERSING SWITCH	6
5	06-608-0008	BACKING PLATE STACK	6
6	06-608-0015	CONTACT ASSEMBLY, MOVING, REVERSING SWITCH	3



WESTERN ELECTRICAL SERVICES

EQUIPMENT: GE VR-1

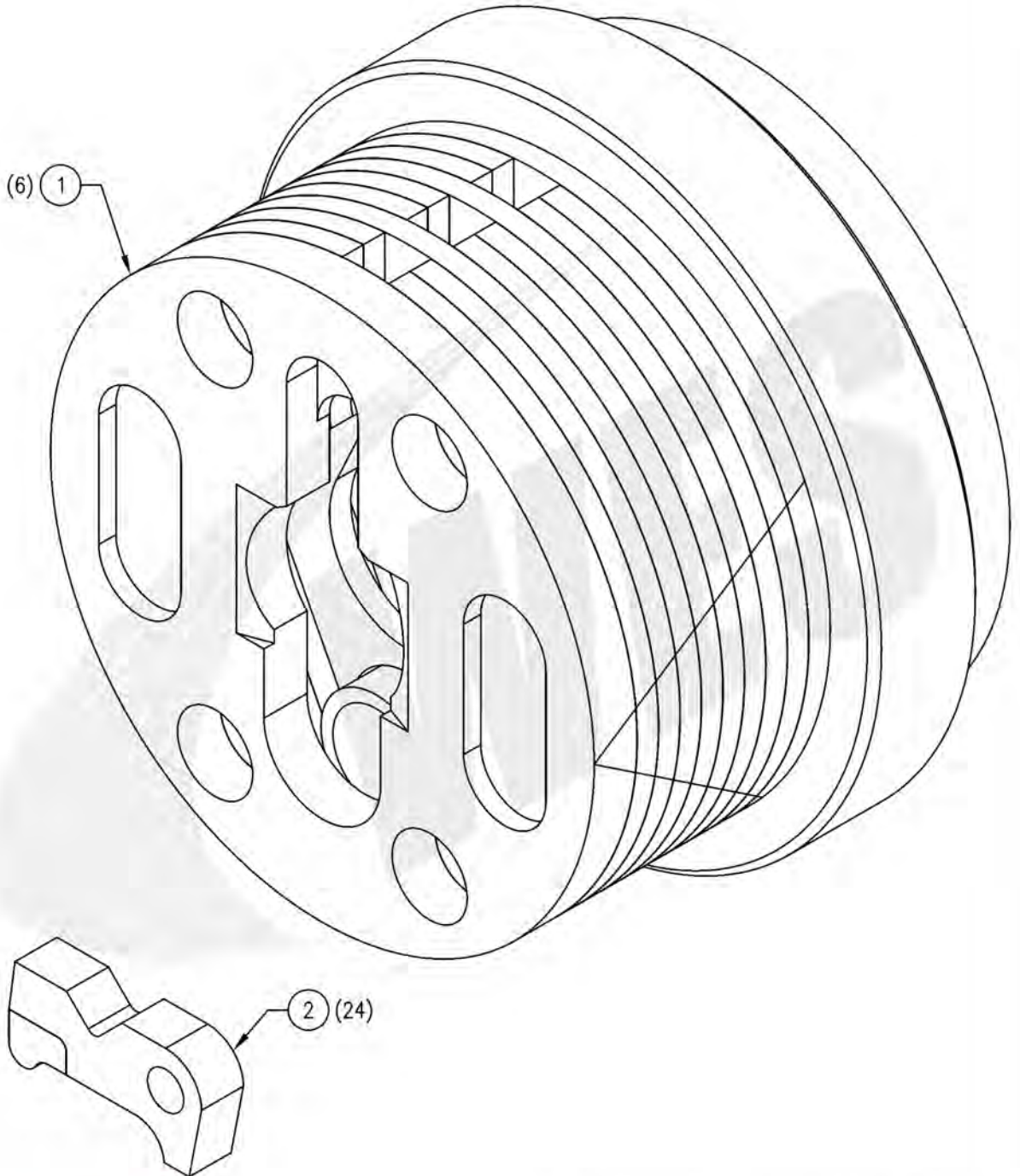
TITLE: REPLACEMENT PARTS

DWG NO. 06-608-0000K

REV: 0



PARTS LIST			
ITEM NO.	PART NUMBER	DESCRIPTION	QTY
1	06-602-0016	BAFFLE STACK ASSEMBLY	6
2	06-602-0017P	CONTACT FINGER ASSEMBLY, ARCING, STATIONARY	24



WESTERN ELECTRICAL SERVICES

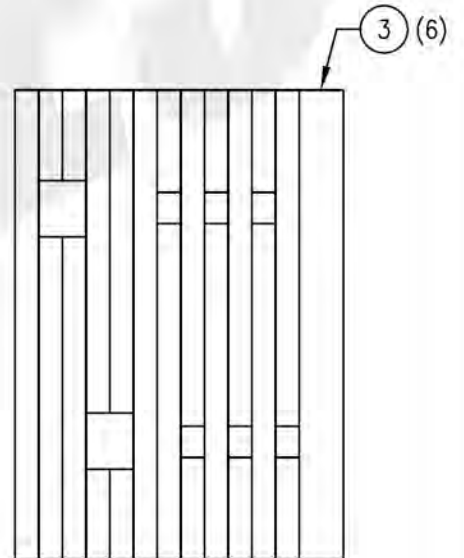
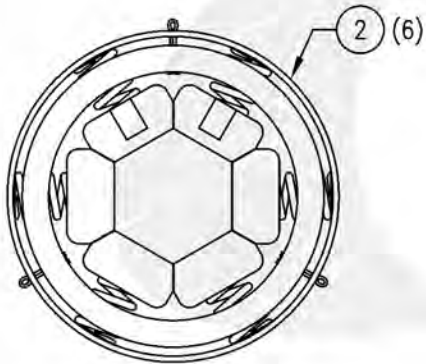
EQUIPMENT: GE FK14.4 600A

TITLE: REPLACEMENT PARTS

DWG NO. 06-602-0001K

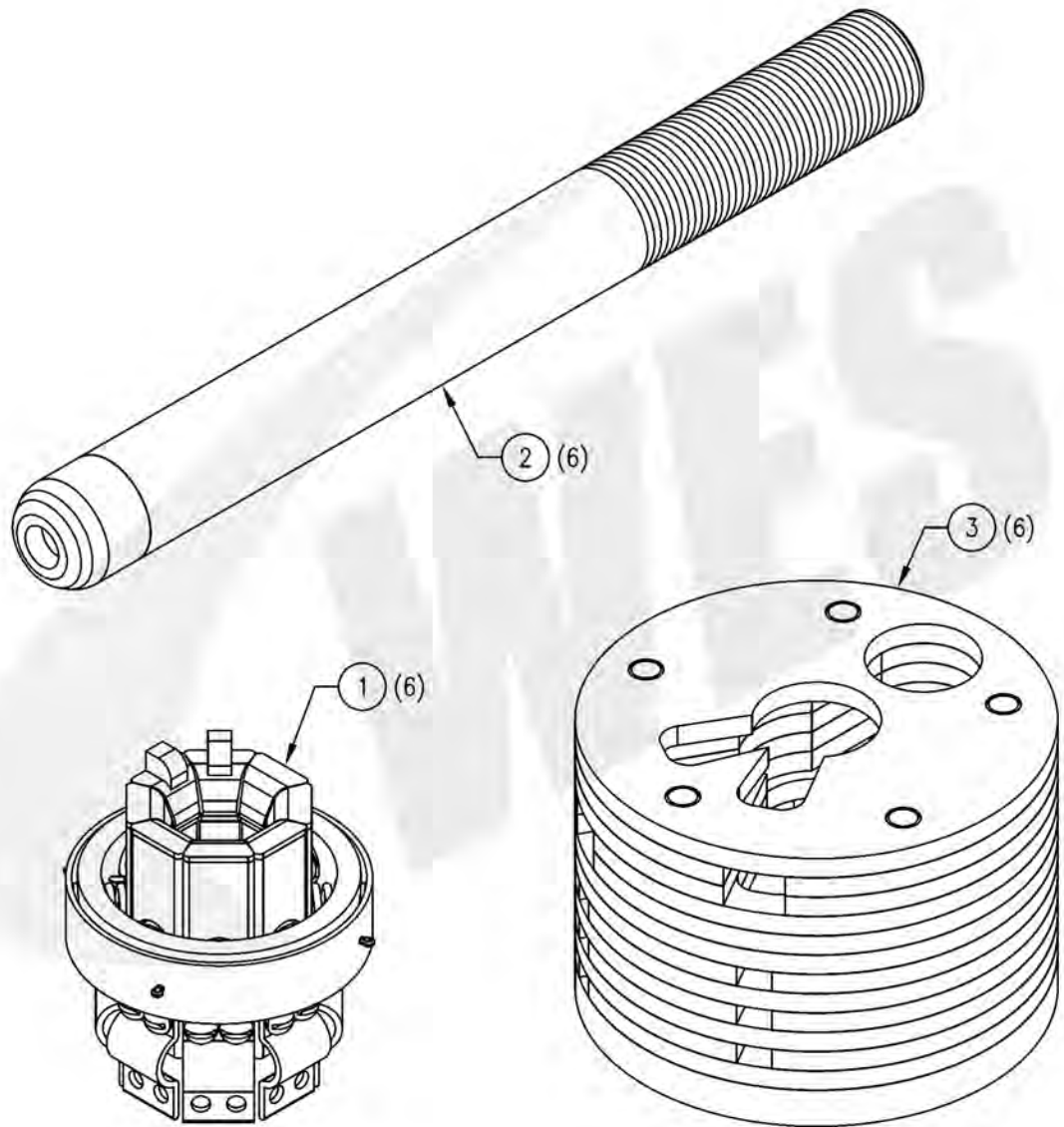
REV: 0

PARTS LIST			
ITEM NO.	PART NUMBER	DESCRIPTION	QTY
1	06-602-0001	CONTACT ROD ASSEMBLY, MOVING	6
2	06-602-0007	CONTACT ASSEMBLY, STATIONARY	6
3	06-601-0015	BAFFLE STACK ASSEMBLY	6



WESTERN ELECTRICAL SERVICES	
EQUIPMENT: GE FK14.4-1000	
TITLE: KIT, BAFFLE & CONTACT	
DWG NO. 06-602-0000K	REV: 0

PARTS LIST			
ITEM NO.	PART NUMBER	DESCRIPTION	QTY
1	06-601-0001	CONTACT ASSEMBLY, STATIONARY	6
2	06-601-0012	CONTACT ROD ASSEMBLY, MOVING	6
3	06-601-0015	BAFFLE STACK ASSEMBLY	6



WESTERN ELECTRICAL SERVICES

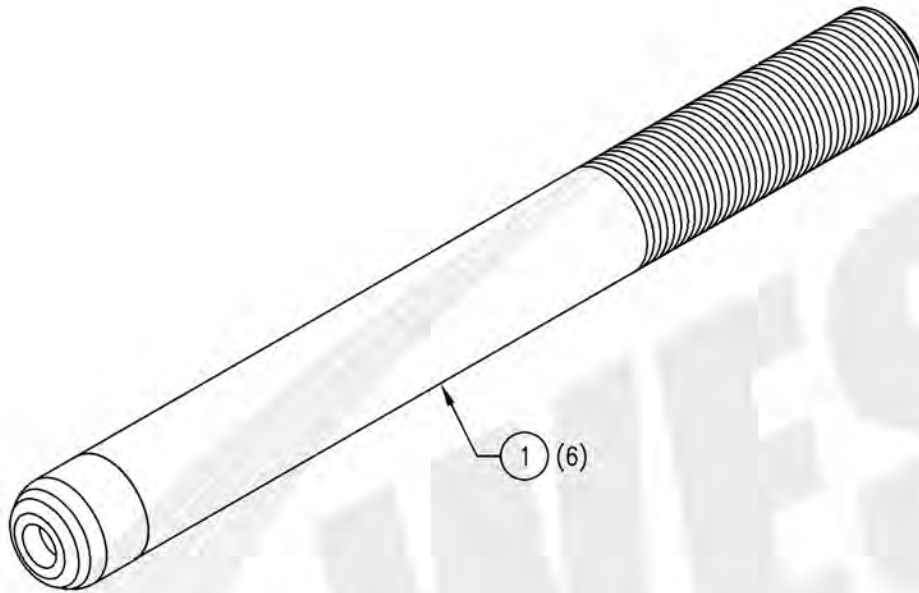
EQUIPMENT: GE FK38

TITLE: KIT, BAFFLE & CONTACT

DWG NO. 06-601-0000K

REV: 0

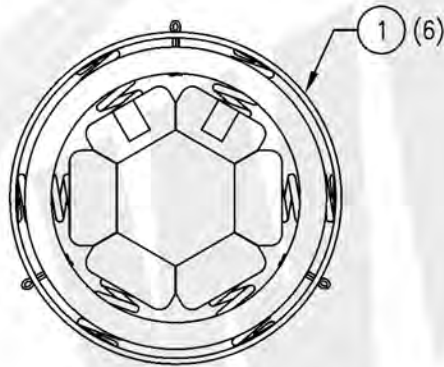
PARTS LIST			
ITEM NO.	PART NUMBER	DESCRIPTION	QTY
1	06-622-0001P	CONTACT ROD ASSEMBLY, MOVING	6



WESTERN ELECTRICAL SERVICES	
EQUIPMENT: GE FK48.3-3500-1	
TITLE: REPLACEMENT PARTS	
DWG NO. 06-622-0000K	REV: 0



PARTS LIST			
ITEM NO.	PART NUMBER	DESCRIPTION	QTY
1	06-602-0007	CONTACT ASSEMBLY, STATIONARY	6
2	06-603-0003	BAFFLE STACK ASSEMBLY	6
3	06-603-0004	CONTACT ROD ASSEMBLY, MOVING	6



WESTERN ELECTRICAL SERVICES

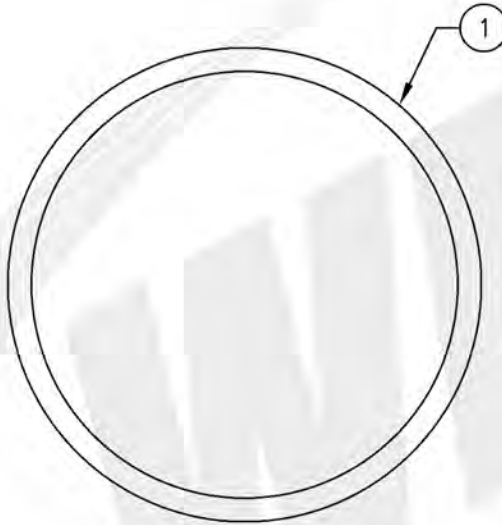
EQUIPMENT: GE FKA34.5

TITLE: KIT, BAFFLE & CONTACT

DWG NO. 06-603-0001K

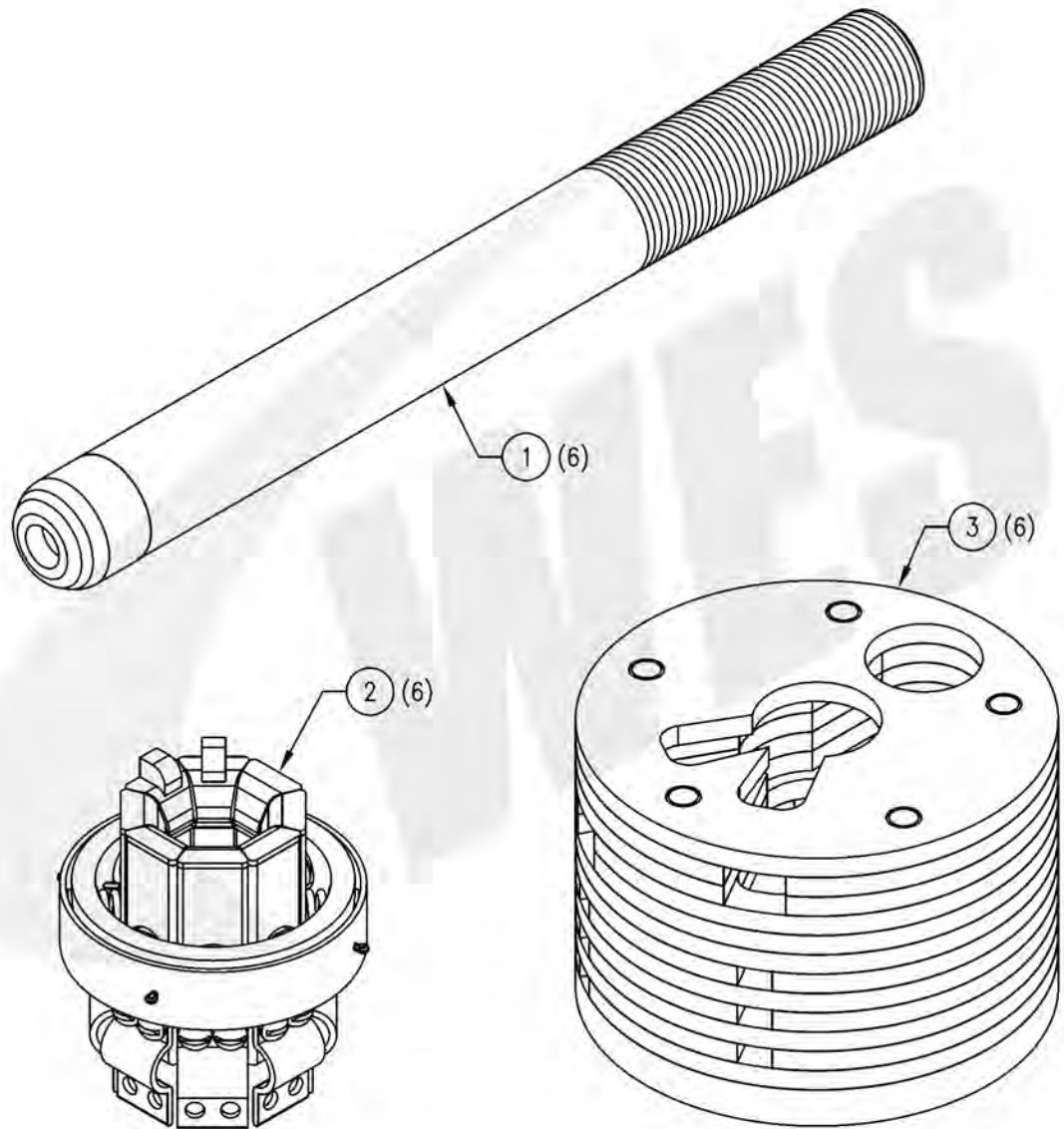
REV: 0

PARTS LIST			
ITEM NO.	PART NUMBER	DESCRIPTION	QTY
1	06-603-0005	SHIM	1



WESTERN ELECTRICAL SERVICES	
EQUIPMENT: GE FKA34.5	
TITLE: NOT INCLUDED IN KIT	
DWG NO. 06-603-0001K-2	REV: 0

PARTS LIST			
ITEM NO.	PART NUMBER	DESCRIPTION	QTY
1	06-603-0001	CONTACT ROD ASSEMBLY, MOVING	6
2	06-601-0001	CONTACT ASSEMBLY, STATIONARY	6
3	06-601-0015	BAFFLE STACK ASSEMBLY	6



WESTERN ELECTRICAL SERVICES

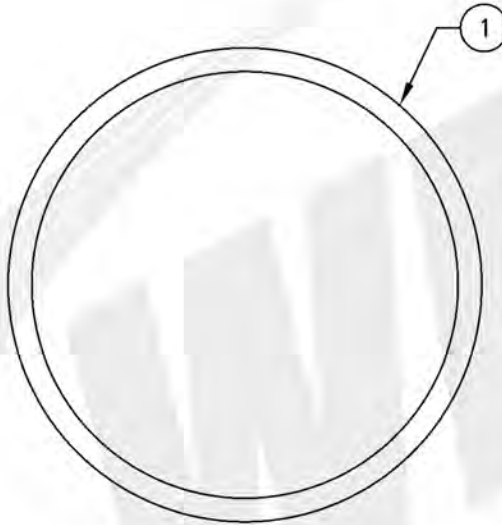
EQUIPMENT: GE FKA34.5-1500-1200-5R

TITLE: KIT, BAFFLE & CONTACT

DWG NO. 06-603-0000K

REV: 0

PARTS LIST			
ITEM NO.	PART NUMBER	DESCRIPTION	QTY
1	06-603-0005	SHIM	1



WESTERN ELECTRICAL SERVICES

EQUIPMENT: GE FKA34.5-1500-1200-5R

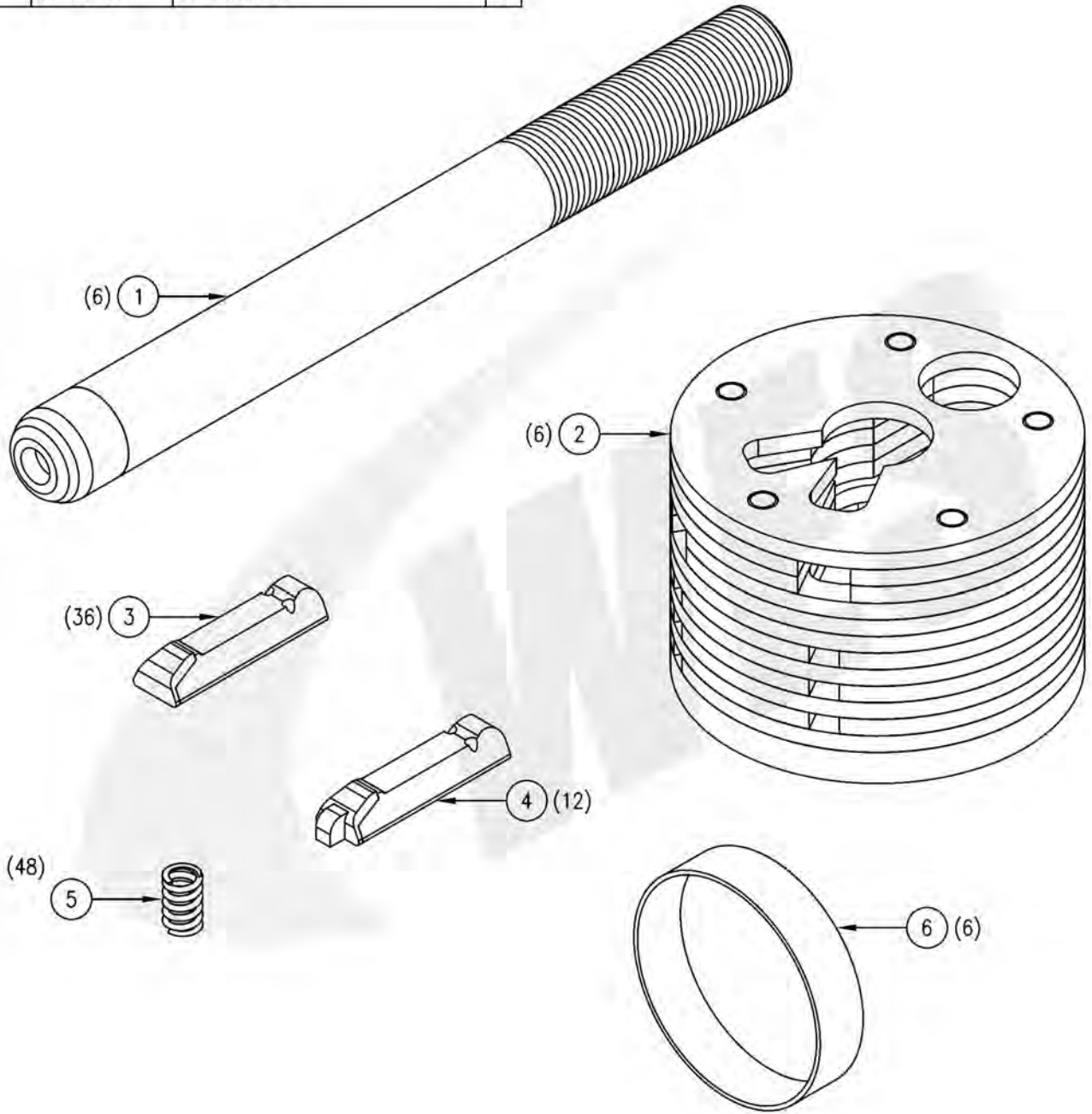
TITLE: NOT INCLUDED IN KIT

DWG NO. 06-603-0000K-2

REV: 0



PARTS LIST			
ITEM NO.	PART NUMBER	DESCRIPTION	QTY
1	06-603-0001	CONTACT ROD ASSEMBLY, MOVING	6
2	06-601-0015	BAFFLE STACK ASSEMBLY	6
3	06-601-0006	CONTACT FINGER ASSEMBLY, STATIONARY	36
4	06-601-0002	CONTACT FINGER ASSEMBLY, ARCING, STATIONARY	12
5	06-601-0009	SPRING, CONTACT	48
6	06-601-0011	RING, RETAINER	6



WESTERN ELECTRICAL SERVICES

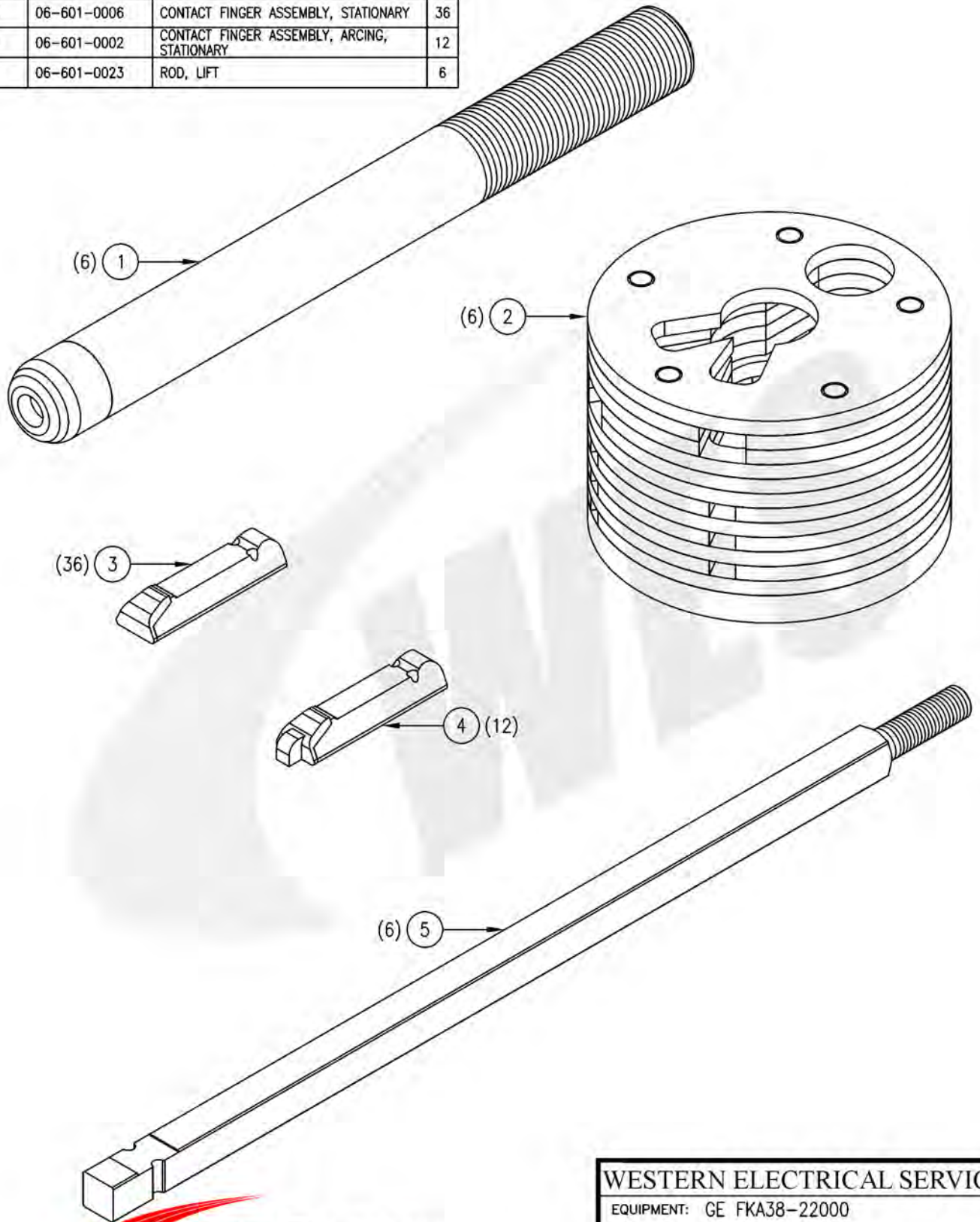
EQUIPMENT: GE FKA34.5-1500-1200/5R

TITLE: REPLACEMENT PARTS

DWG NO. 06-603-0002K

REV: 0

PARTS LIST			
ITEM NO.	PART NUMBER	DESCRIPTION	QTY
1	06-601-0012	CONTACT ROD ASSEMBLY, MOVING	6
2	06-601-0015	BAFFLE STACK ASSEMBLY	6
3	06-601-0006	CONTACT FINGER ASSEMBLY, STATIONARY	36
4	06-601-0002	CONTACT FINGER ASSEMBLY, ARCING, STATIONARY	12
5	06-601-0023	ROD, LIFT	6



WESTERN ELECTRICAL SERVICES

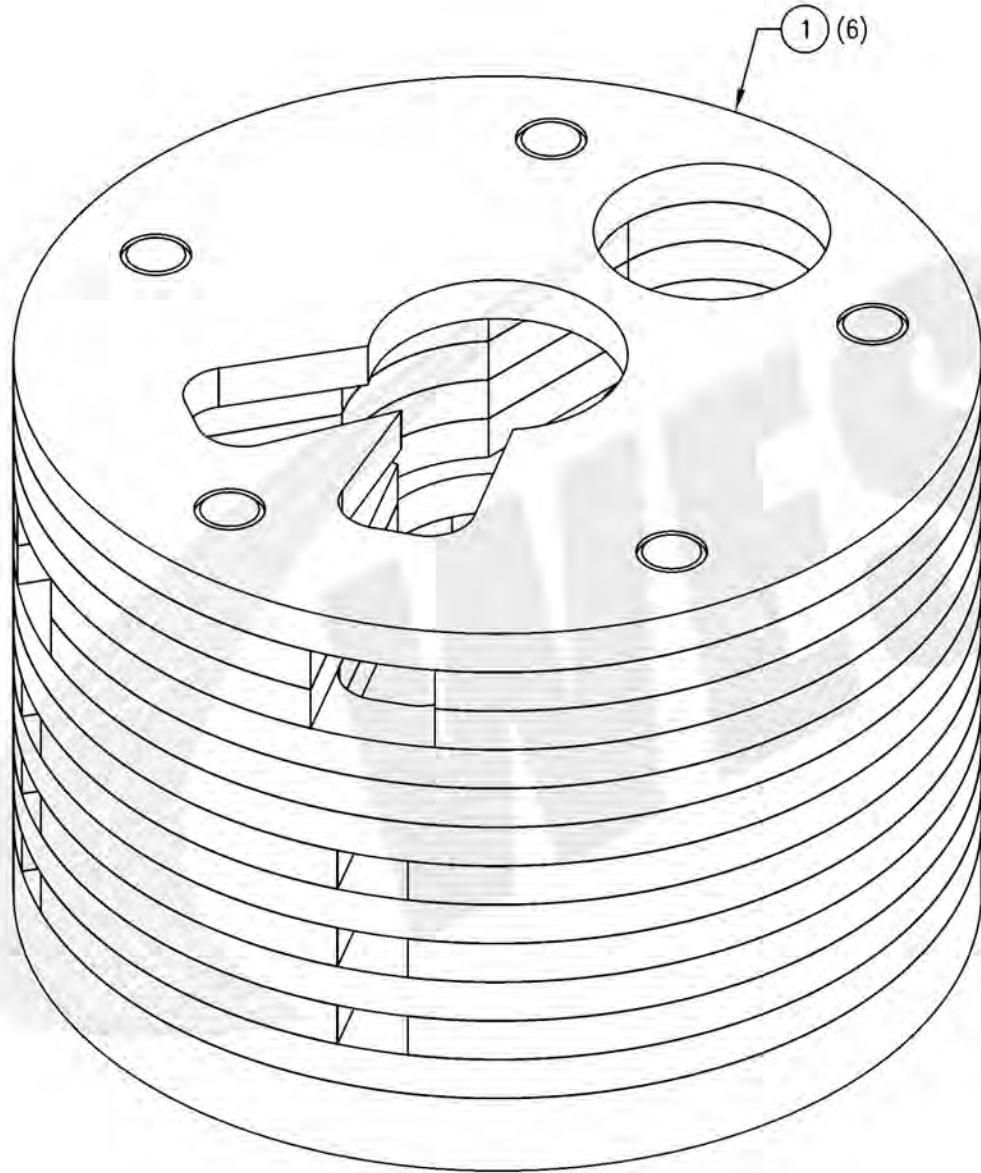
EQUIPMENT: GE FKA38-22000

TITLE: REPLACEMENT PARTS

DWG NO. 06-601-0002K

REV: 0

PARTS LIST			
ITEM NO.	PART NUMBER	DESCRIPTION	QTY
1	06-601-0015	BAFFLE STACK ASSEMBLY	6



WESTERN ELECTRICAL SERVICES

EQUIPMENT: GE FKA38, FKA34.5, 72.5 &  
FKA34.5-15-1200-5R

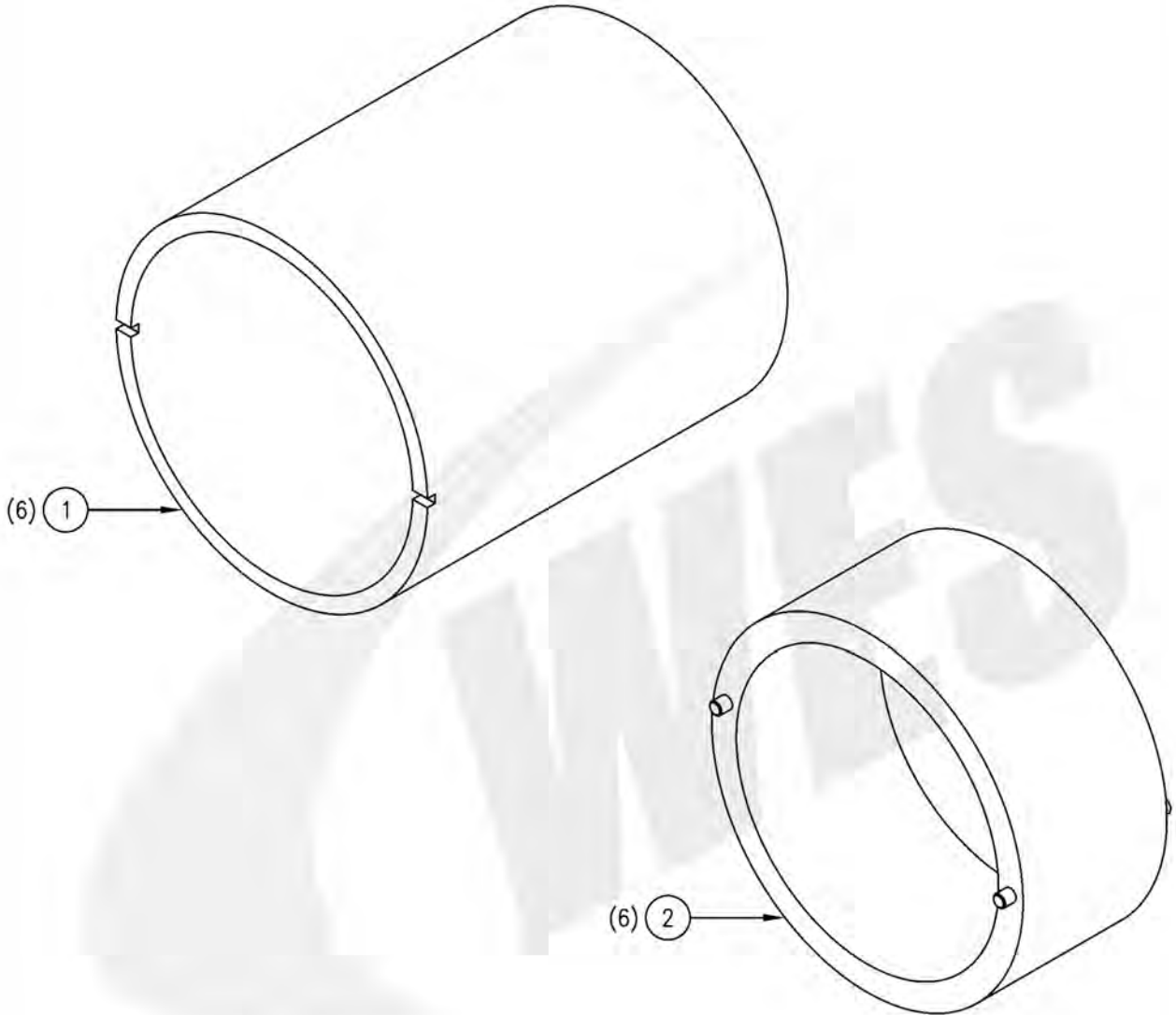
TITLE: BAFFLE STACK KIT

DWG NO. 06-601-0001K

REV: 0



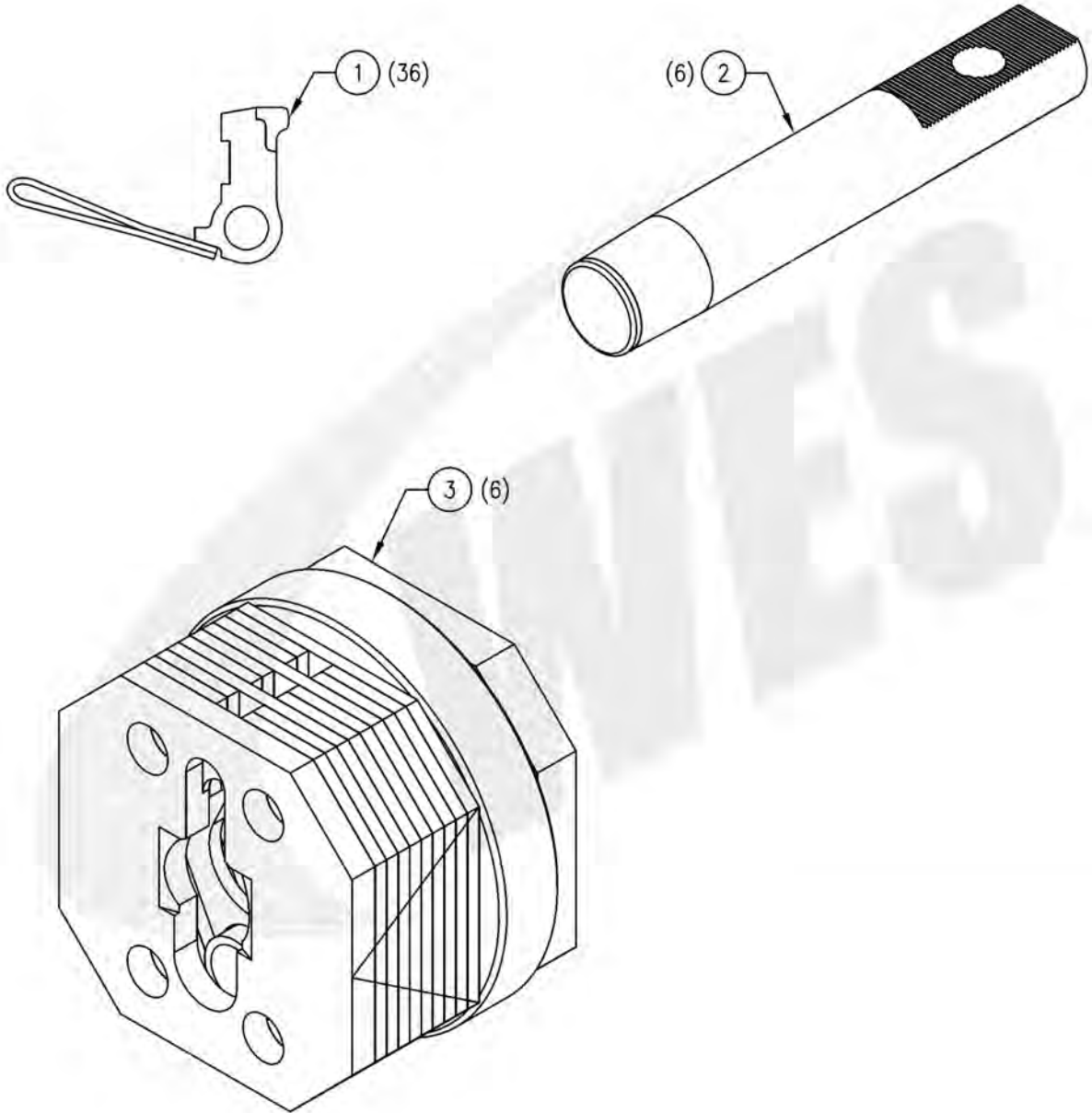
PARTS LIST			
ITEM NO.	PART NUMBER	DESCRIPTION	QTY
1	06-620-0001	SPACER, UPPER	6
2	06-620-0002	SPACER, LOWER	6



WESTERN ELECTRICAL SERVICES	
EQUIPMENT: GE FKA46-1500-1	
TITLE: REPLACEMENT PARTS	
DWG NO. 06-620-0000K	REV: 0



PARTS LIST			
ITEM NO.	PART NUMBER	DESCRIPTION	QTY
1	06-600-0001	CONTACT ASSEMBLY, STATIONARY, MAIN	36
2	06-600-0006P	CONTACT ROD ASSEMBLY, MOVING	6
3	06-600-0009	BAFFLE STACK ASSEMBLY	6
4	06-600-0010	ARCING PLATE	6



WESTERN ELECTRICAL SERVICES

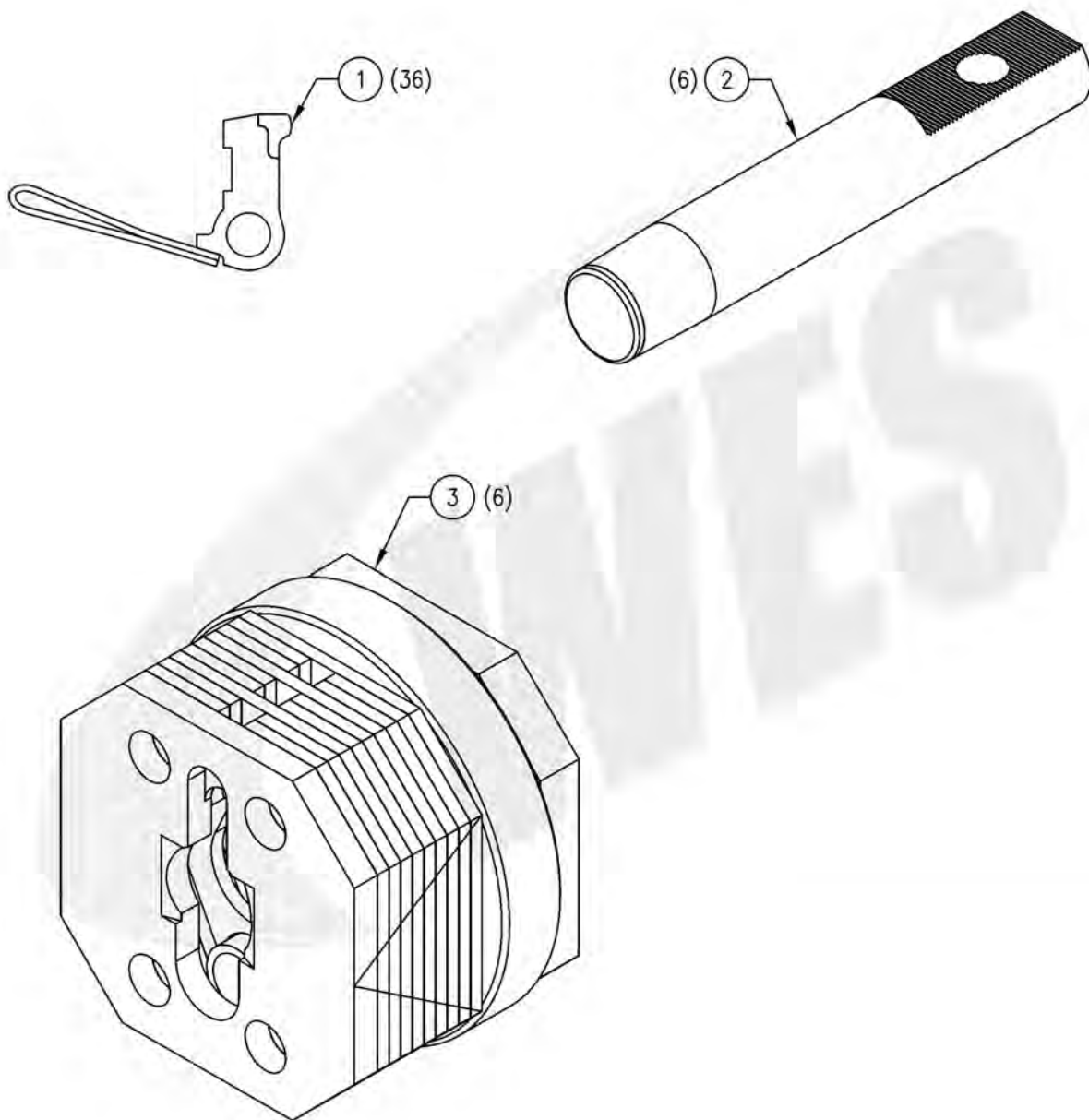
EQUIPMENT: GE FKD14.4

TITLE: KIT, BAFFLE & CONTACT

DWG NO. 06-600-0000K

REV: 0

PARTS LIST			
ITEM NO.	PART NUMBER	DESCRIPTION	QTY
1	06-600-0001	CONTACT ASSEMBLY, STATIONARY, MAIN	36
2	06-600-0013P	CONTACT ROD ASSEMBLY, MOVING	6
3	06-600-0009	BAFFLE STACK ASSEMBLY	6
4	06-600-0010	ARCING PLATE	6



WESTERN ELECTRICAL SERVICES

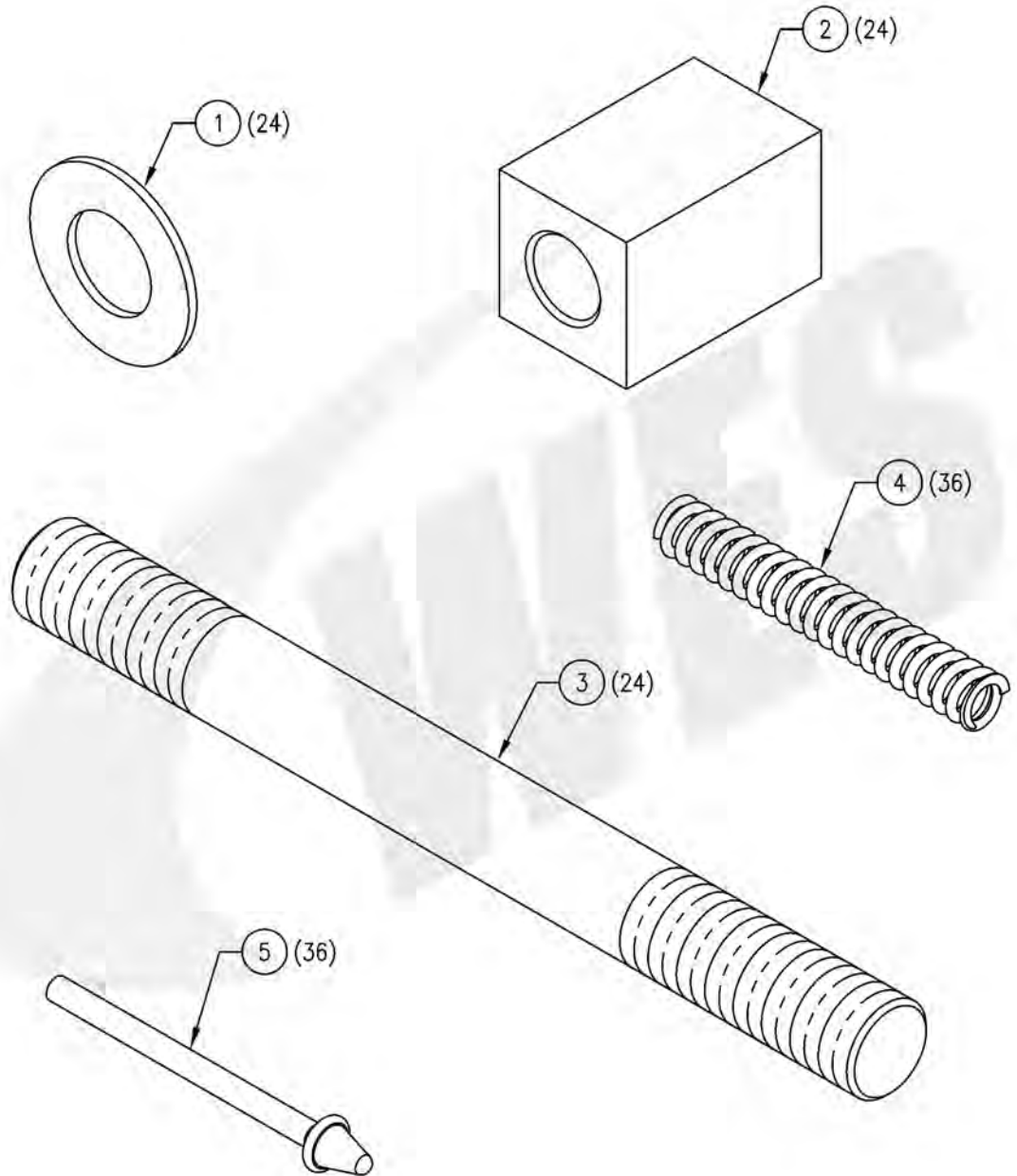
EQUIPMENT: GE FKD15.5

TITLE: KIT, BAFFLE & CONTACT

DWG NO. 06-600-0001K

REV: 0

PARTS LIST			
ITEM NO.	PART NUMBER	DESCRIPTION	QTY
1	06-600-0038	WASHER, BAFFLE	24
2	06-600-0039	NUT, BAFFLE	24
3	06-600-0040	STUD, BAFFLE	24
4	06-600-0041	SPRING, CONTACT	36
5	06-600-0044	GUIDE, SPRING	36



WESTERN ELECTRICAL SERVICES

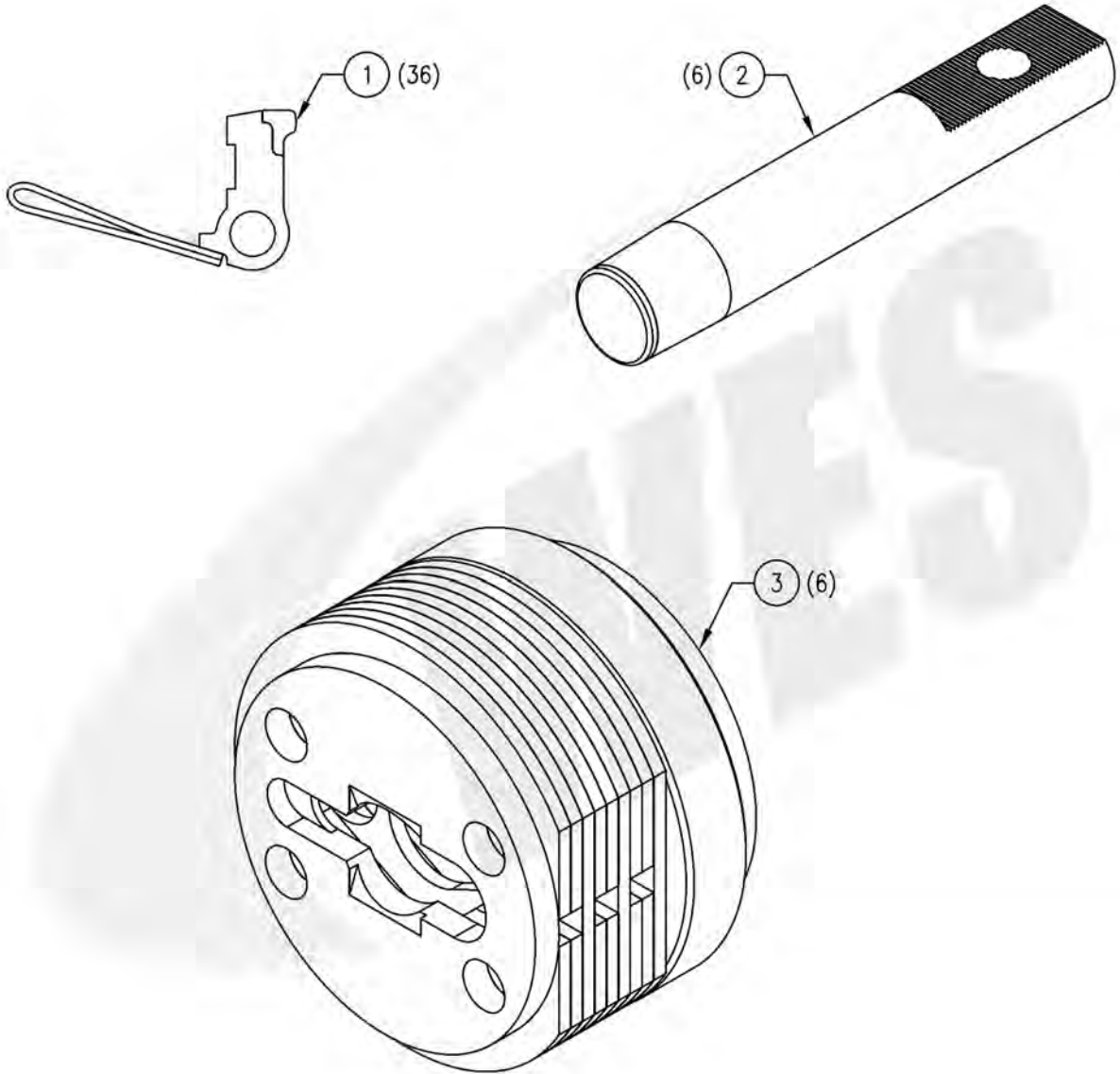
EQUIPMENT: GE FKD25.8

TITLE: NOT INCLUDED IN KIT

DWG NO. 06-600-0002K-2

REV: 2

PARTS LIST			
ITEM NO.	PART NUMBER	DESCRIPTION	QTY
1	06-600-0001	CONTACT ASSEMBLY, STATIONARY, MAIN	36
2	06-600-0015P	CONTACT ROD ASSEMBLY, MOVING	6
3	06-600-0031	BAFFLE STACK ASSEMBLY	6



WESTERN ELECTRICAL SERVICES

EQUIPMENT: GE FKD25.8

TITLE: REPLACEMENT PARTS

DWG NO. 06-600-0002K

REV: 1

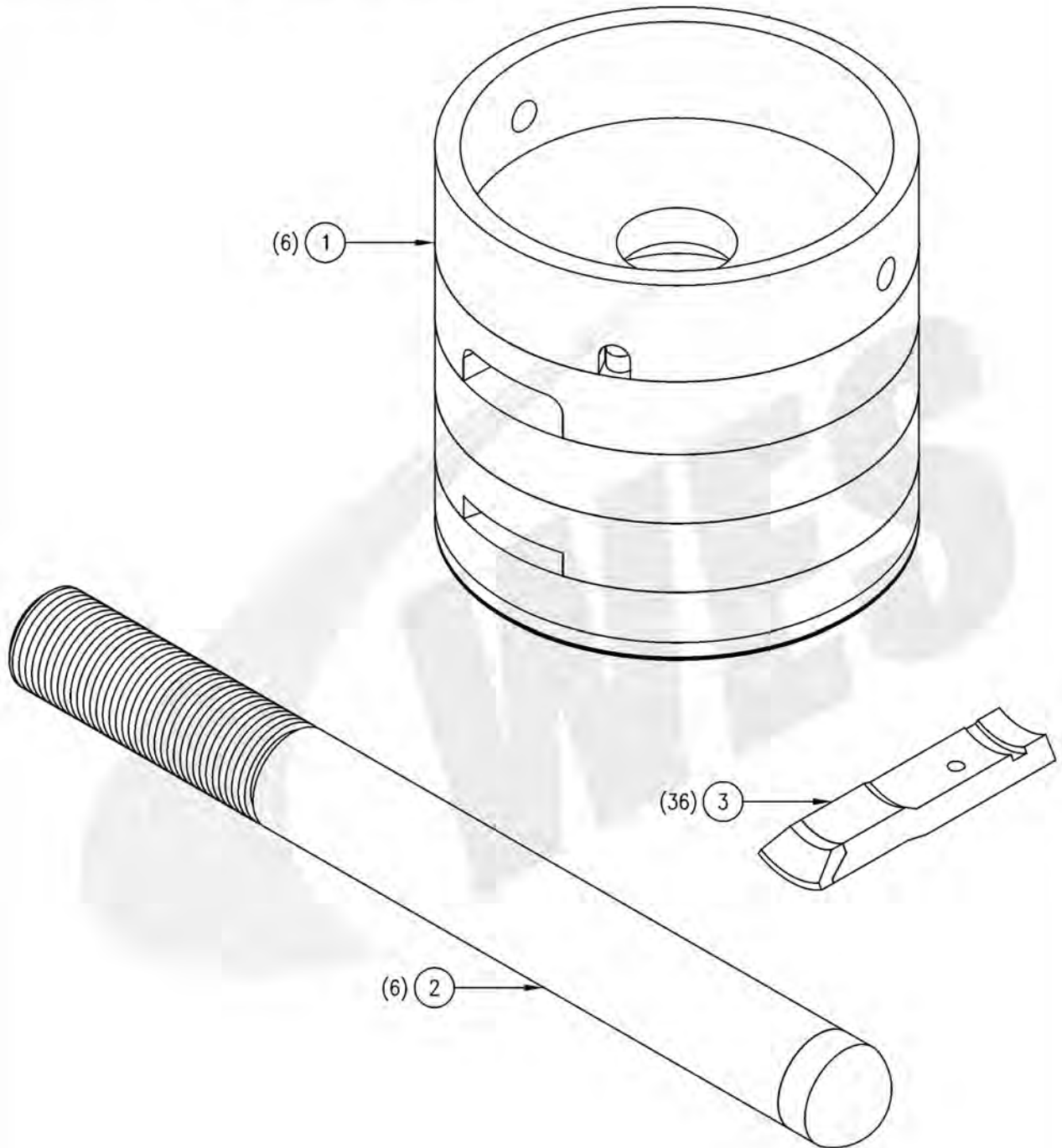


# **Hitachi**

## **Oil Circuit Breaker**

### **Replacement Parts**

PARTS LIST			
ITEM NO.	PART NUMBER	DESCRIPTION	QTY
1	13-100-0001	BAFFLE STACK ASSEMBLY	6
2	13-100-0012P	CONTACT ROD ASSEMBLY, MOVING	6
3	13-101-0001P	CONTACT FINGER ASSEMBLY, STATIONARY	36



WESTERN ELECTRICAL SERVICES

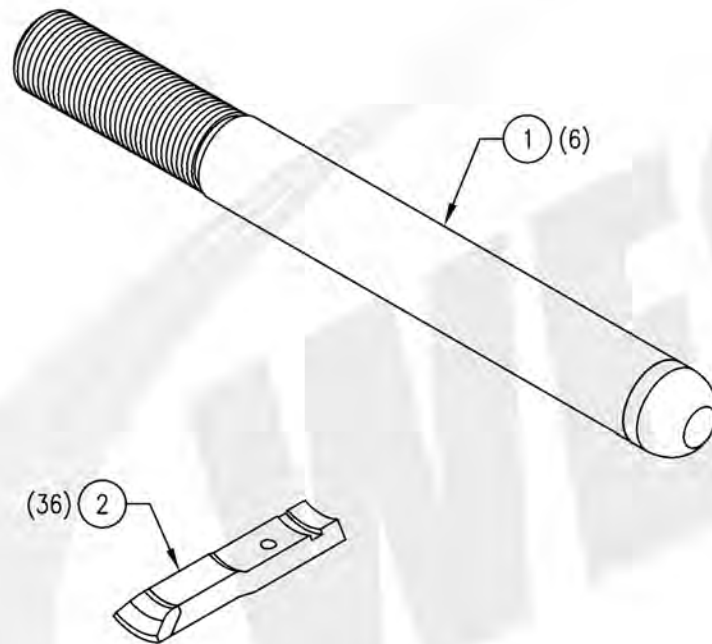
EQUIPMENT: HITACHI OYGB-75

TITLE: KIT, BAFFLE & CONTACT

DWG NO. 13-100-0001K

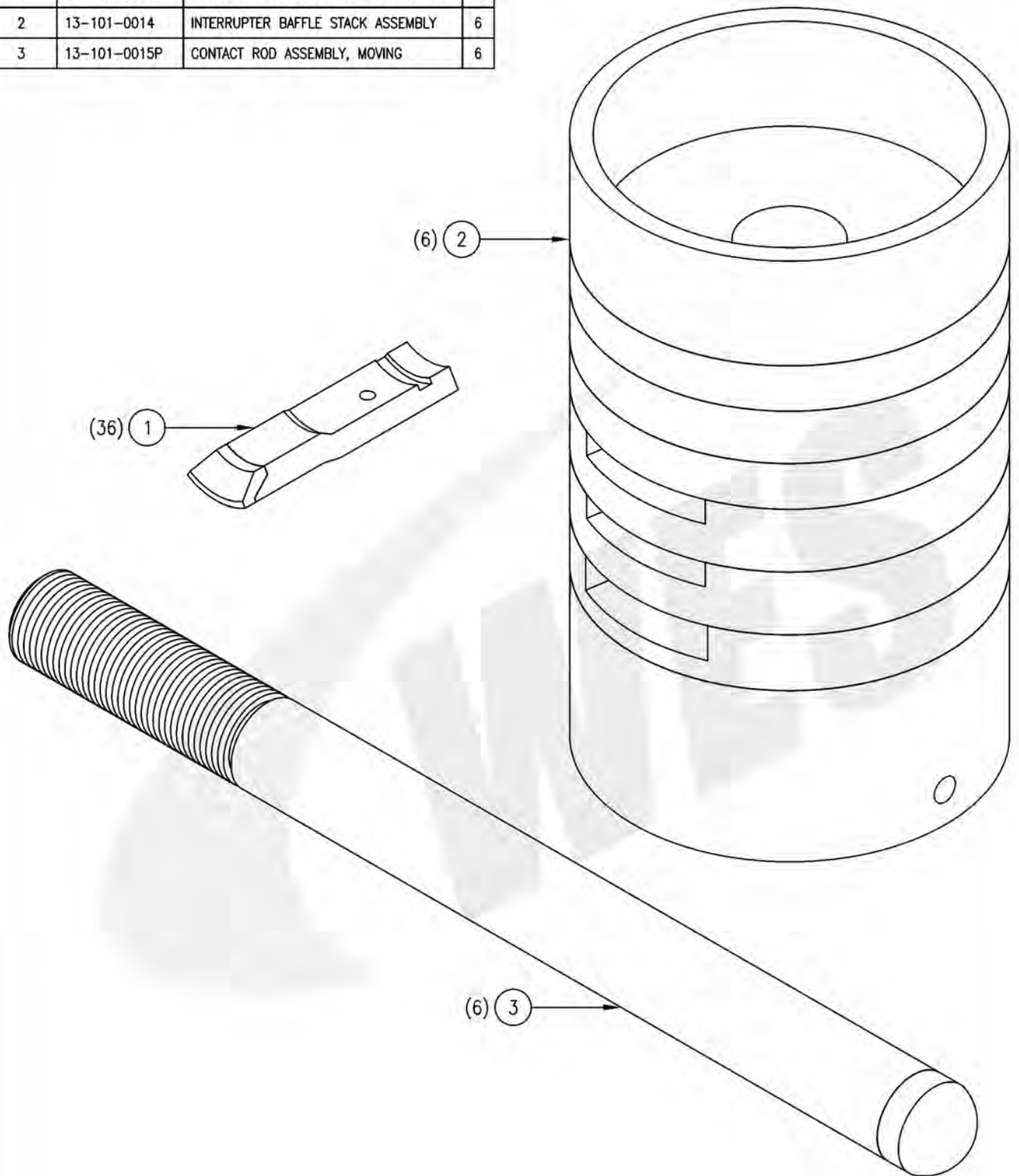
REV: 0

PARTS LIST			
ITEM NO.	PART NUMBER	DESCRIPTION	QTY
1	13-102-0001P	CONTACT ROD ASSEMBLY, MOVABLE	6
2	13-102-0004P	CONTACT FINGER ASSEMBLY, STATIONARY	36



WESTERN ELECTRICAL SERVICES	
EQUIPMENT: HITACHI OYGB-100	
TITLE: KIT, CONTACT	
DWG NO. 13-102-0000K	REV: 0

PARTS LIST			
ITEM NO.	PART NUMBER	DESCRIPTION	QTY
1	13-101-0001P	CONTACT FINGER ASSEMBLY, STATIONARY	36
2	13-101-0014	INTERRUPTER BAFFLE STACK ASSEMBLY	6
3	13-101-0015P	CONTACT ROD ASSEMBLY, MOVING	6



WESTERN ELECTRICAL SERVICES

EQUIPMENT: HITACHI OSYGB-150

TITLE: KIT, BAFFLE & CONTACT

DWG NO. 13-101-0001K

REV: 0

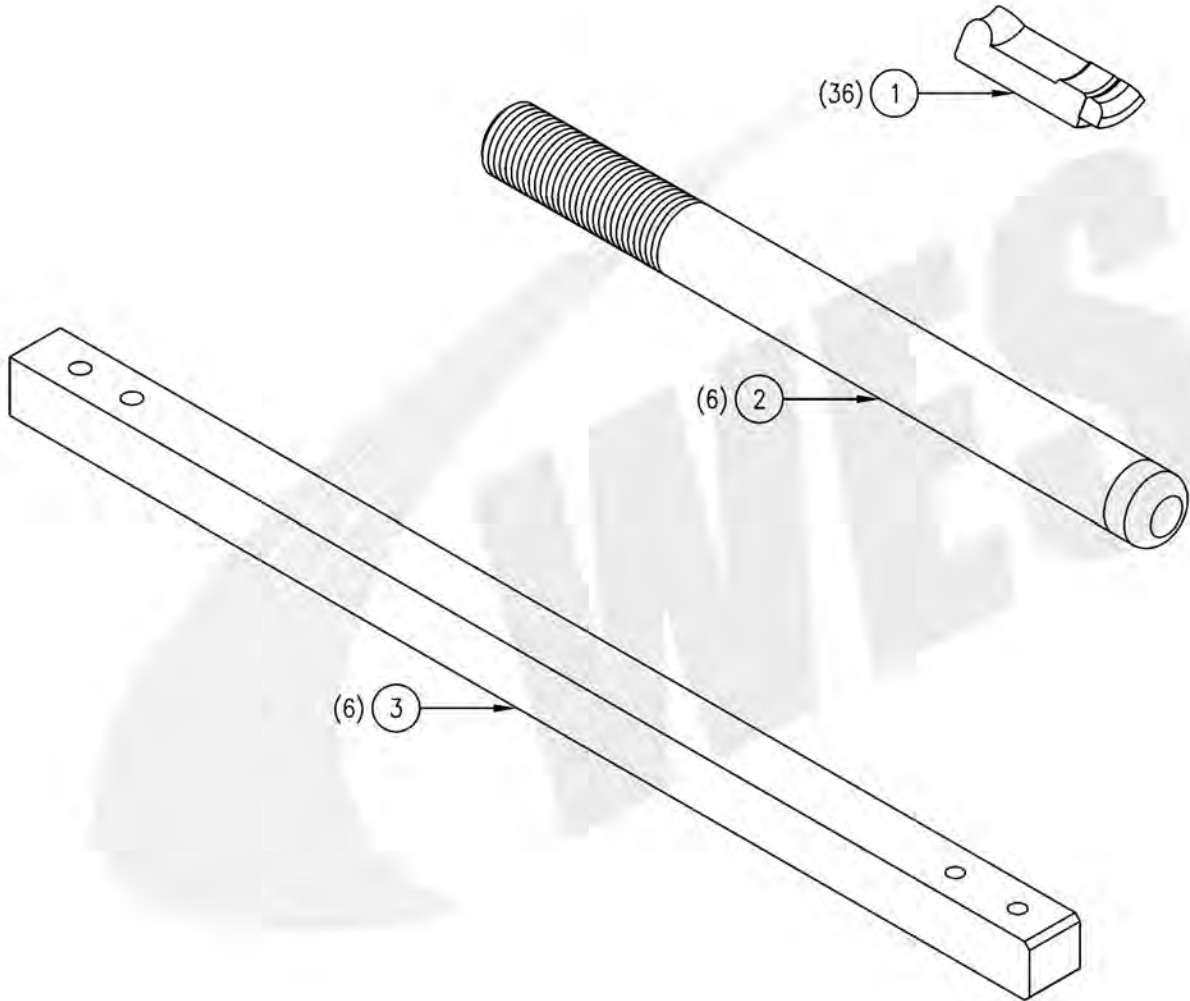


# **Inoue Denki**

## **Oil Circuit Breaker**

### **Replacement Parts**

PARTS LIST			
ITEM NO.	PART NUMBER	DESCRIPTION	QTY
1	08-804-0004P	CONTACT FINGER ASSEMBLY, STATIONARY	36
2	08-804-0010P	CONTACT ROD ASSEMBLY, MOVING	6
3	08-804-0016	LIFT ROD	6



WESTERN ELECTRICAL SERVICES

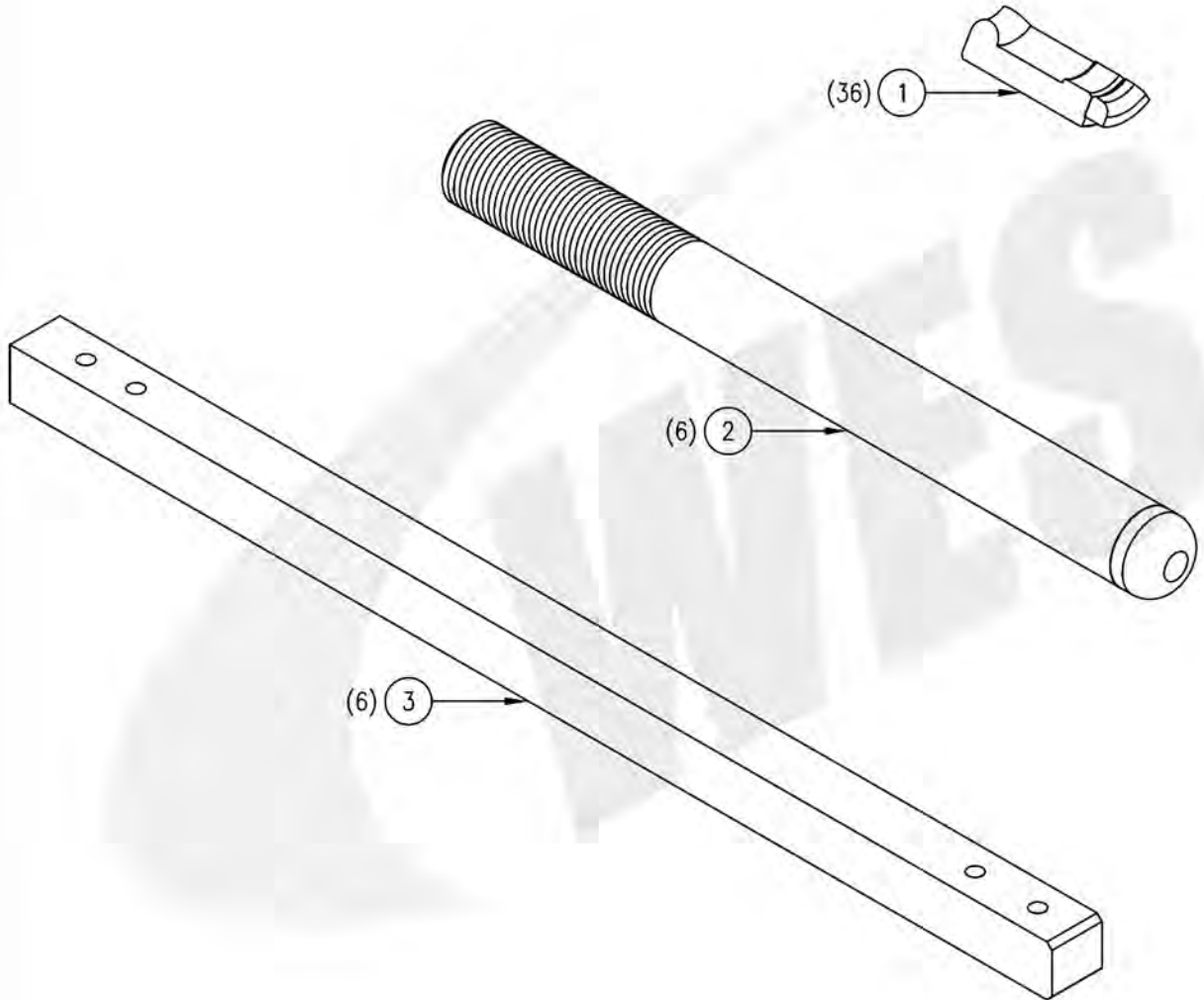
EQUIPMENT: INOUE DENKI 20-TEO-150MS

TITLE: REPLACEMENT PARTS

DWG NO. 08-804-0001K

REV: 0

PARTS LIST			
ITEM NO.	PART NUMBER	DESCRIPTION	QTY
1	08-804-0004P	CONTACT FINGER ASSEMBLY, STATIONARY	36
2	08-804-0007P	CONTACT ROD ASSEMBLY, MOVING	6
3	08-804-0017	LIFT ROD	6



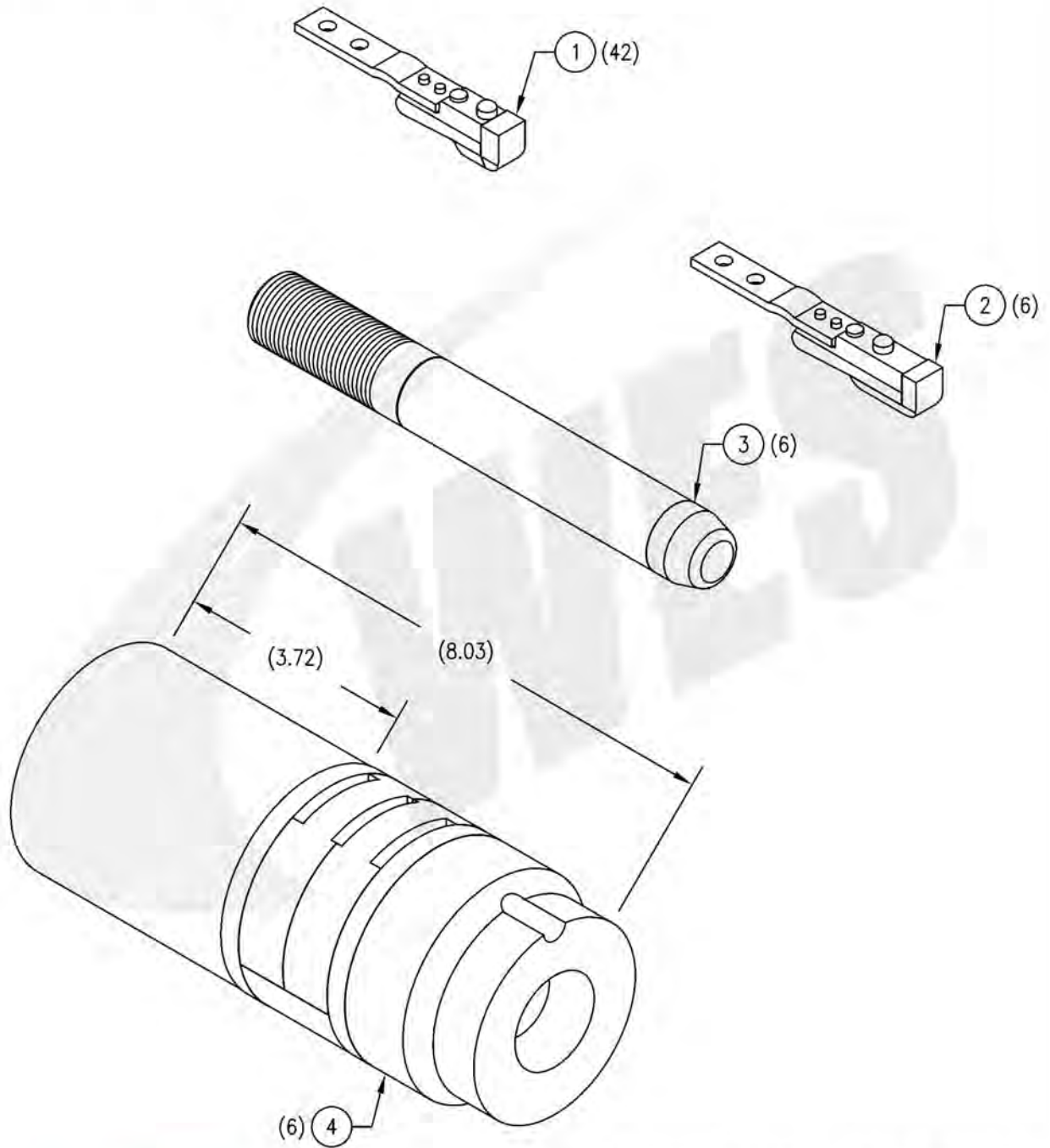
WESTERN ELECTRICAL SERVICES	
EQUIPMENT: INOUE DENKI 30-TEO-150PU	
TITLE: REPLACEMENT PARTS	
DWG NO. 08-804-0000K	REV: 0

# **ITE Breakers**

## **Oil Circuit Breaker Replacement Parts**

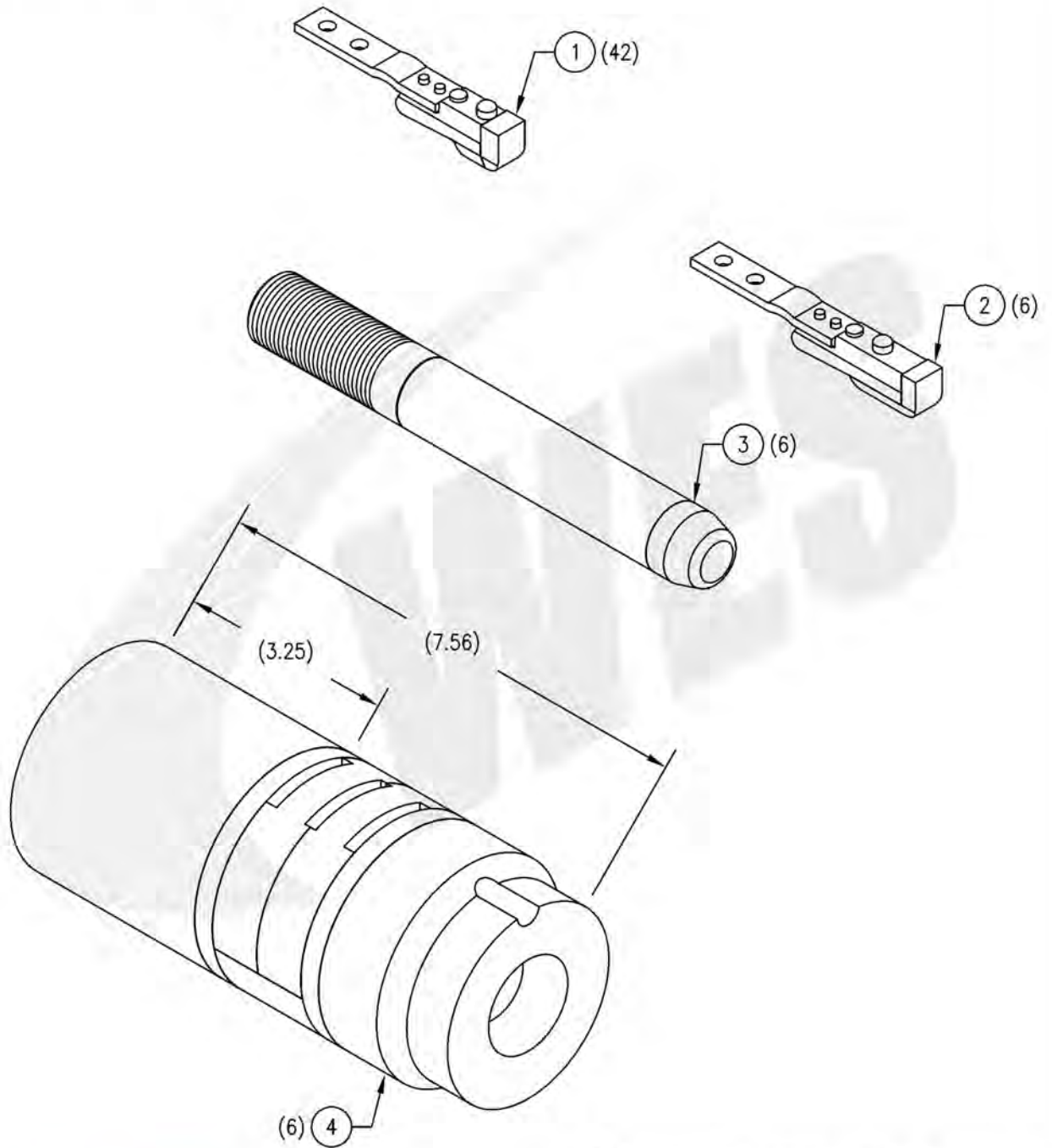


PARTS LIST			
ITEM NO.	PART NUMBER	DESCRIPTION	QTY
1	05-500-0012	CONTACT FINGER ASSEMBLY, STATIONARY	42
2	05-500-0022	CONTACT FINGER ASSEMBLY, ARCING, STATIONARY	6
3	05-503-0006	CONTACT ROD ASSEMBLY, MOVING	6
4	05-503-0008	BAFFLE STACK ASSEMBLY	6



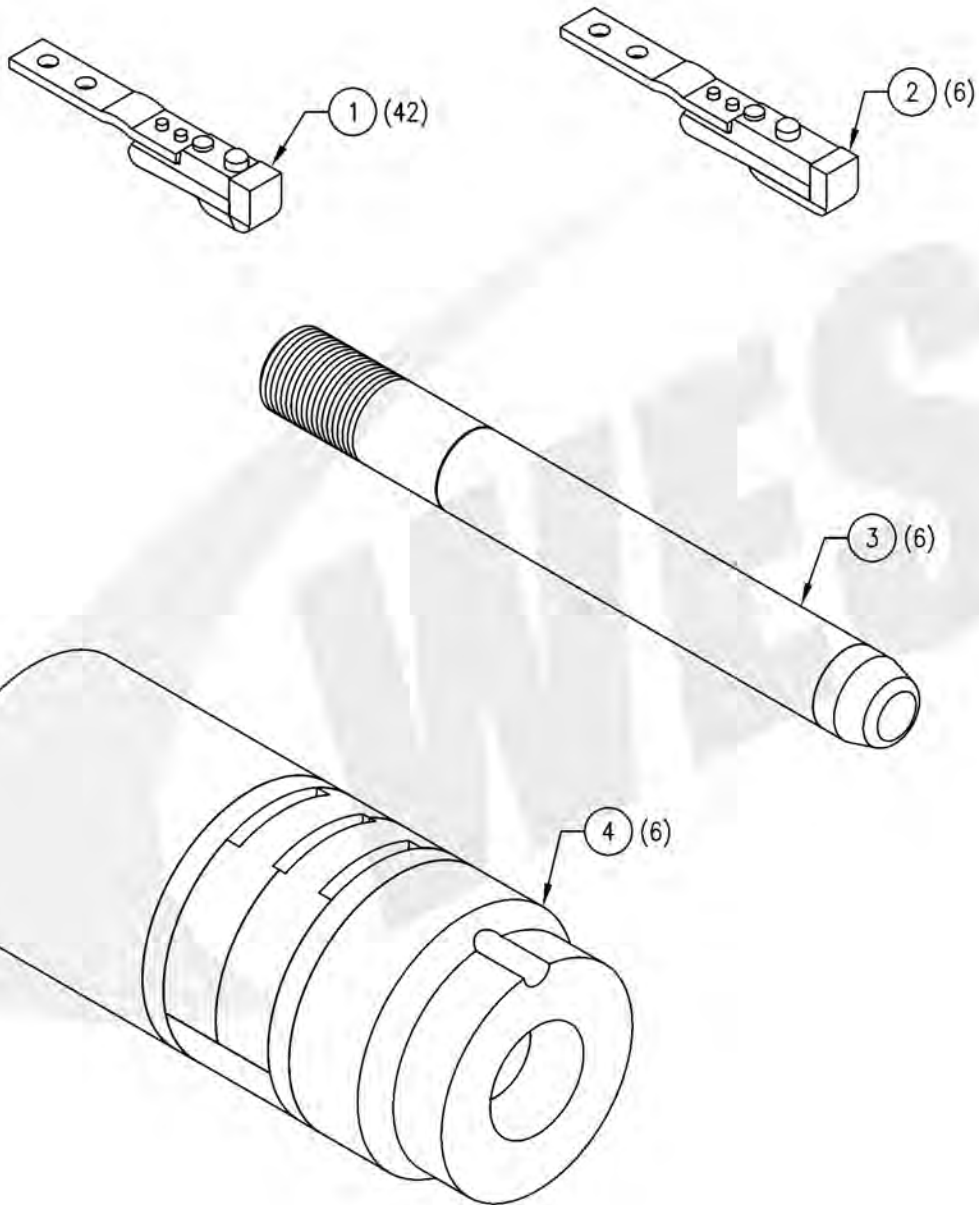
WESTERN ELECTRICAL SERVICES	
EQUIPMENT: ITE 14.4KS500-12B	
TITLE: KIT, BAFFLE & CONTACT (NEW STYLE BAFFLE)	
DWG NO. 05-503-0000K	REV: 0

PARTS LIST			
ITEM NO.	PART NUMBER	DESCRIPTION	QTY
1	05-500-0012	CONTACT FINGER ASSEMBLY, STATIONARY	42
2	05-500-0022	CONTACT FINGER ASSEMBLY, ARCING, STATIONARY	6
3	05-503-0006	CONTACT ROD ASSEMBLY, MOVING	6
4	05-503-0010	BAFFLE STACK ASSEMBLY	6



WESTERN ELECTRICAL SERVICES	
EQUIPMENT: ITE 14.4KS500-12B	
TITLE: KIT, BAFFLE & CONTACT	
DWG NO. 05-503-0001K	REV: 0

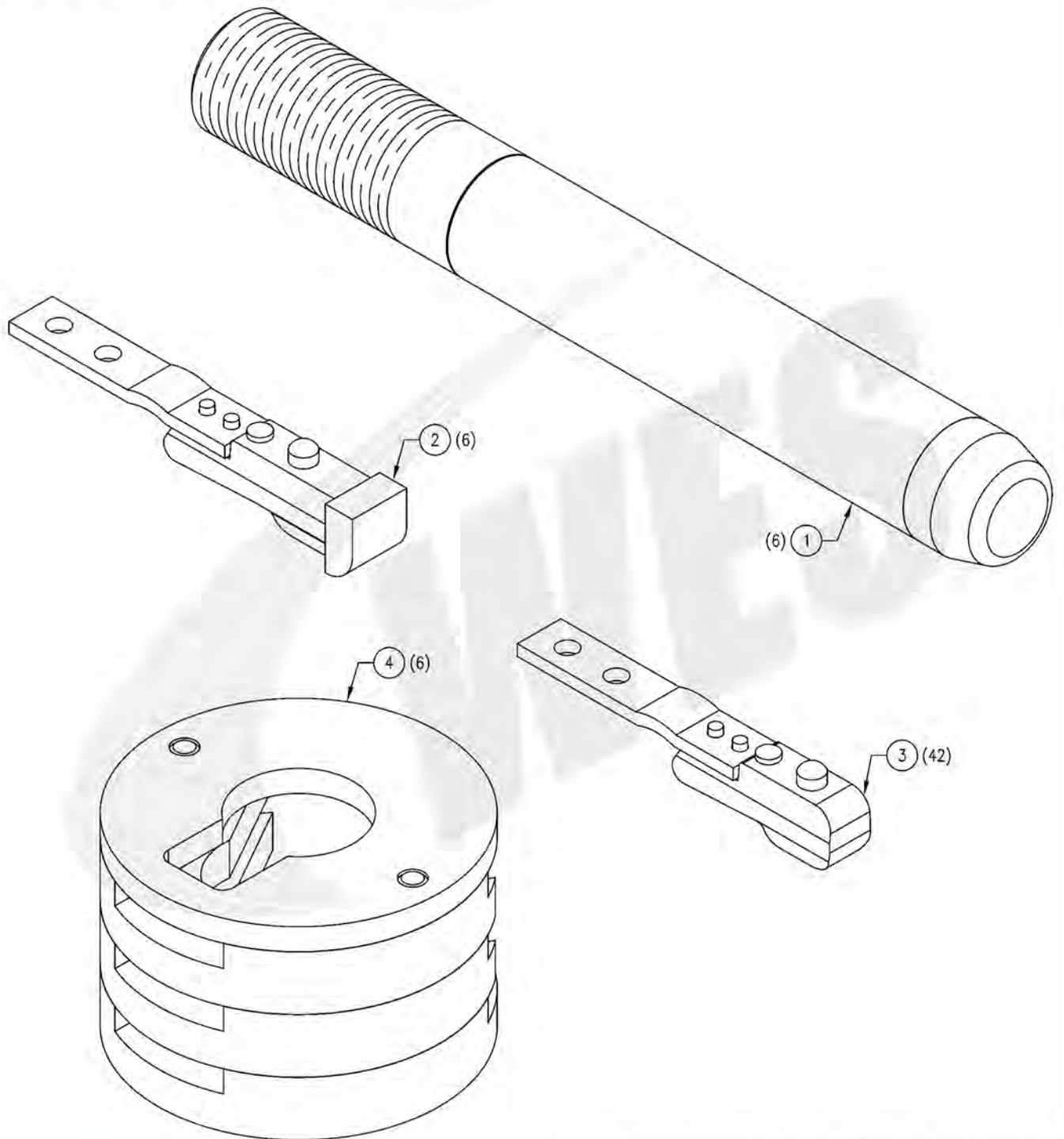
PARTS LIST			
ITEM NO.	PART NUMBER	DESCRIPTION	QTY
1	05-500-0012	CONTACT FINGER ASSEMBLY, STATIONARY	42
2	05-500-0022	CONTACT FINGER ASSEMBLY, ARCING, STATIONARY	6
3	05-503-0001	CONTACT ROD ASSEMBLY, MOVING	6
4	05-503-0003	BAFFLE STACK ASSEMBLY	6



<b>WESTERN ELECTRICAL SERVICES</b>	
EQUIPMENT: ITE 14.4KS500-12C	
TITLE: KIT, BAFFLE & CONTACT	
DWG NO. 05-503-0002K	REV: 0



PARTS LIST			
ITEM NO.	PART NUMBER	DESCRIPTION	QTY
1	05-500-0000	CONTACT ROD ASSEMBLY, MOVING	6
2	05-500-0004	CONTACT FINGER ASSEMBLY, ARCING, STATIONARY	6
3	05-500-0003	CONTACT FINGER ASSEMBLY, STATIONARY	42
4	05-500-0016	BAFFLE STACK ASSEMBLY	6



WESTERN ELECTRICAL SERVICES

EQUIPMENT: ITE 14.4KS500-12D

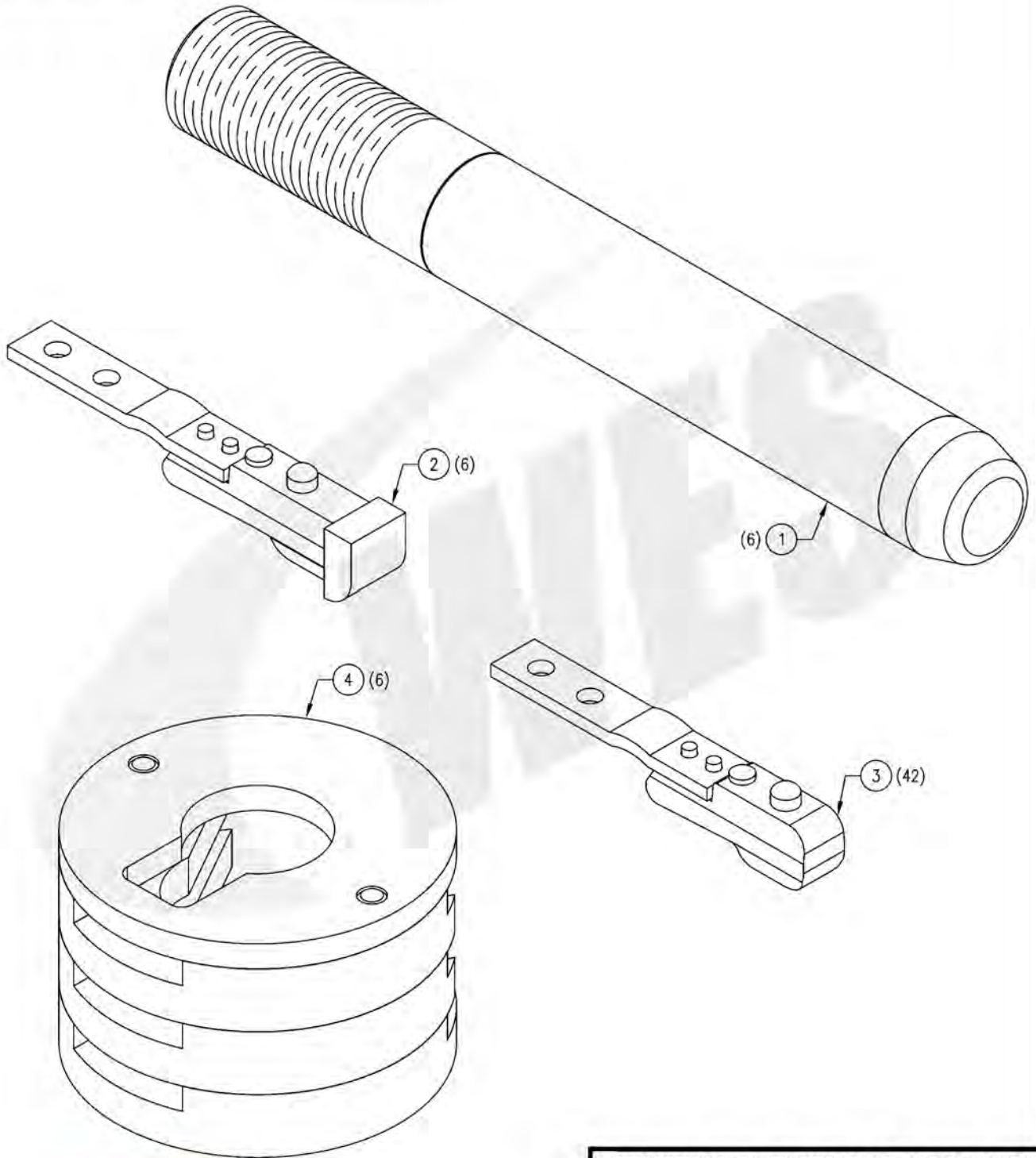
TITLE: KIT, BAFFLE & CONTACT

DWG NO. 05-503-0003K

REV: 0

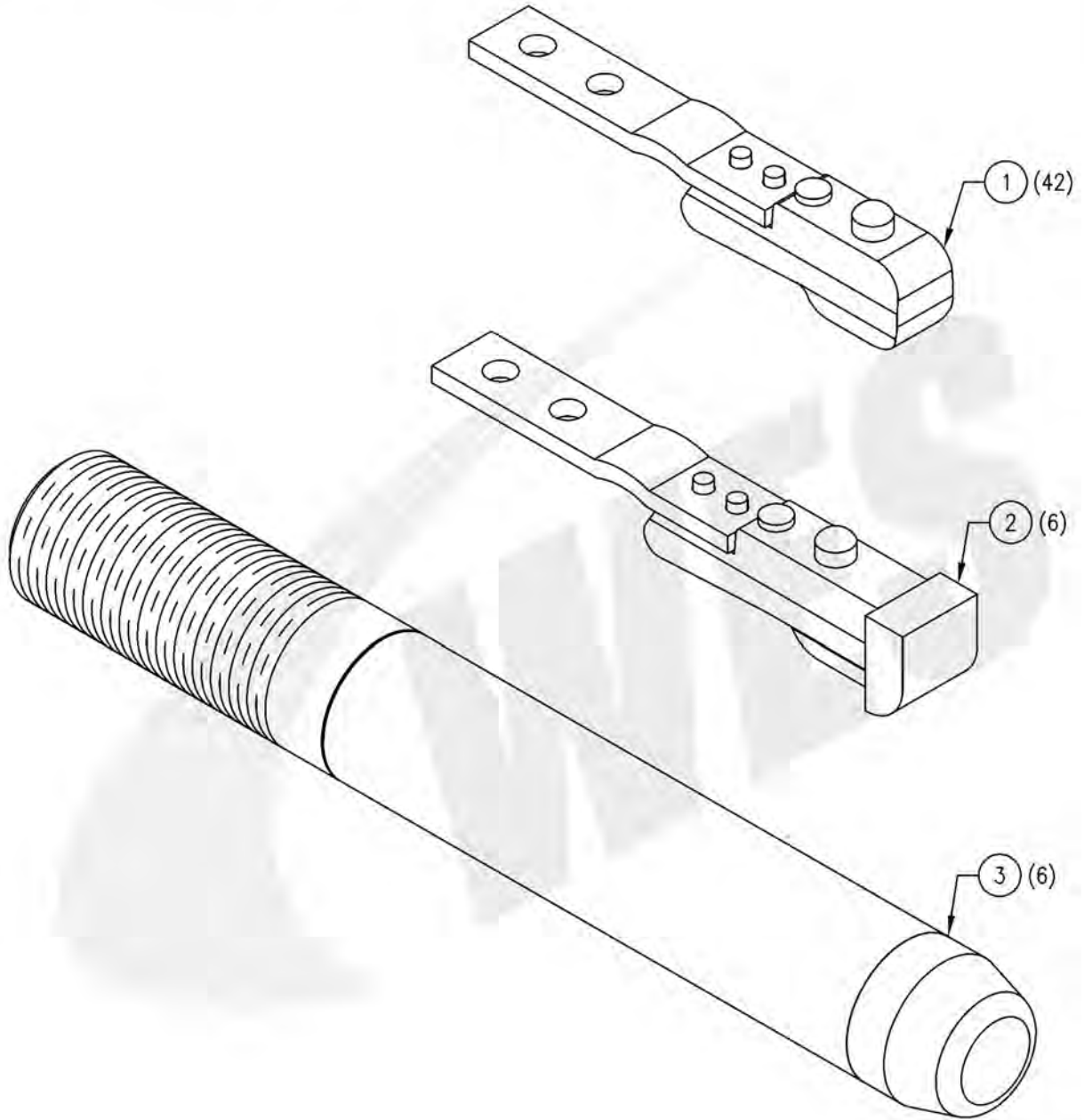


PARTS LIST			
ITEM NO.	PART NUMBER	DESCRIPTION	QTY
1	05-500-0000	CONTACT ROD ASSEMBLY, MOVING	6
2	05-500-0004	CONTACT FINGER ASSEMBLY, ARCING, STATIONARY	6
3	05-500-0003	CONTACT FINGER ASSEMBLY, STATIONARY	42
4	05-500-0016	BAFFLE STACK ASSEMBLY	6



WESTERN ELECTRICAL SERVICES	
EQUIPMENT: ITE 14.4KS500-16D	
TITLE: KIT, BAFFLE & CONTACT	
DWG NO. 05-503-0004K	REV: 0

PARTS LIST			
ITEM NO.	PART NUMBER	DESCRIPTION	QTY
1	05-500-0003	CONTACT FINGER ASSEMBLY, STATIONARY	42
2	05-500-0004	CONTACT FINGER ASSEMBLY, ARCING, STATIONARY	6
3	05-503-0006	CONTACT ROD ASSEMBLY, MOVING	6



WESTERN ELECTRICAL SERVICES

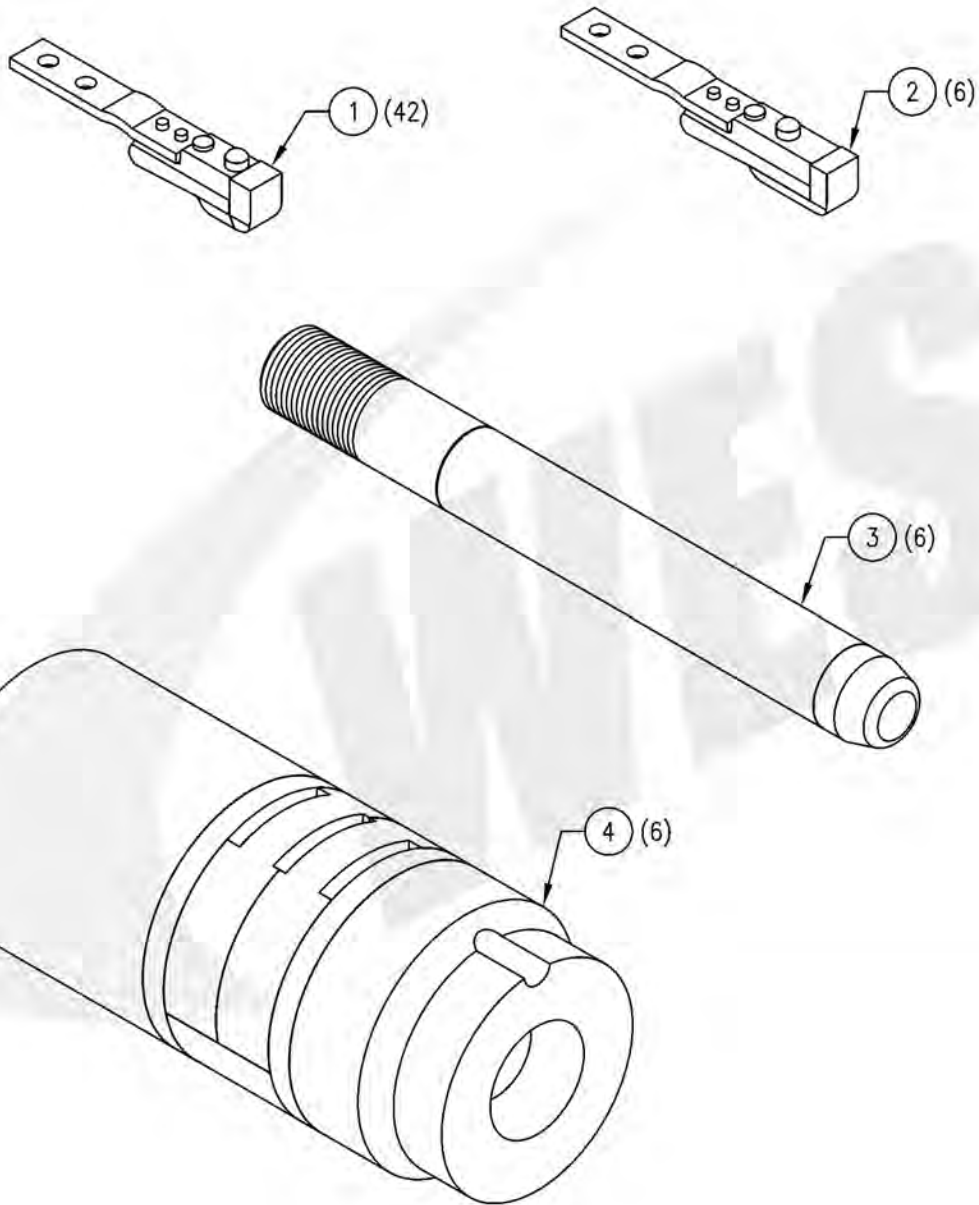
EQUIPMENT: ITE 14.4KS500-20B

TITLE: REPLACEMENT PARTS

DWG NO. 05-503-0005K

REV: 0

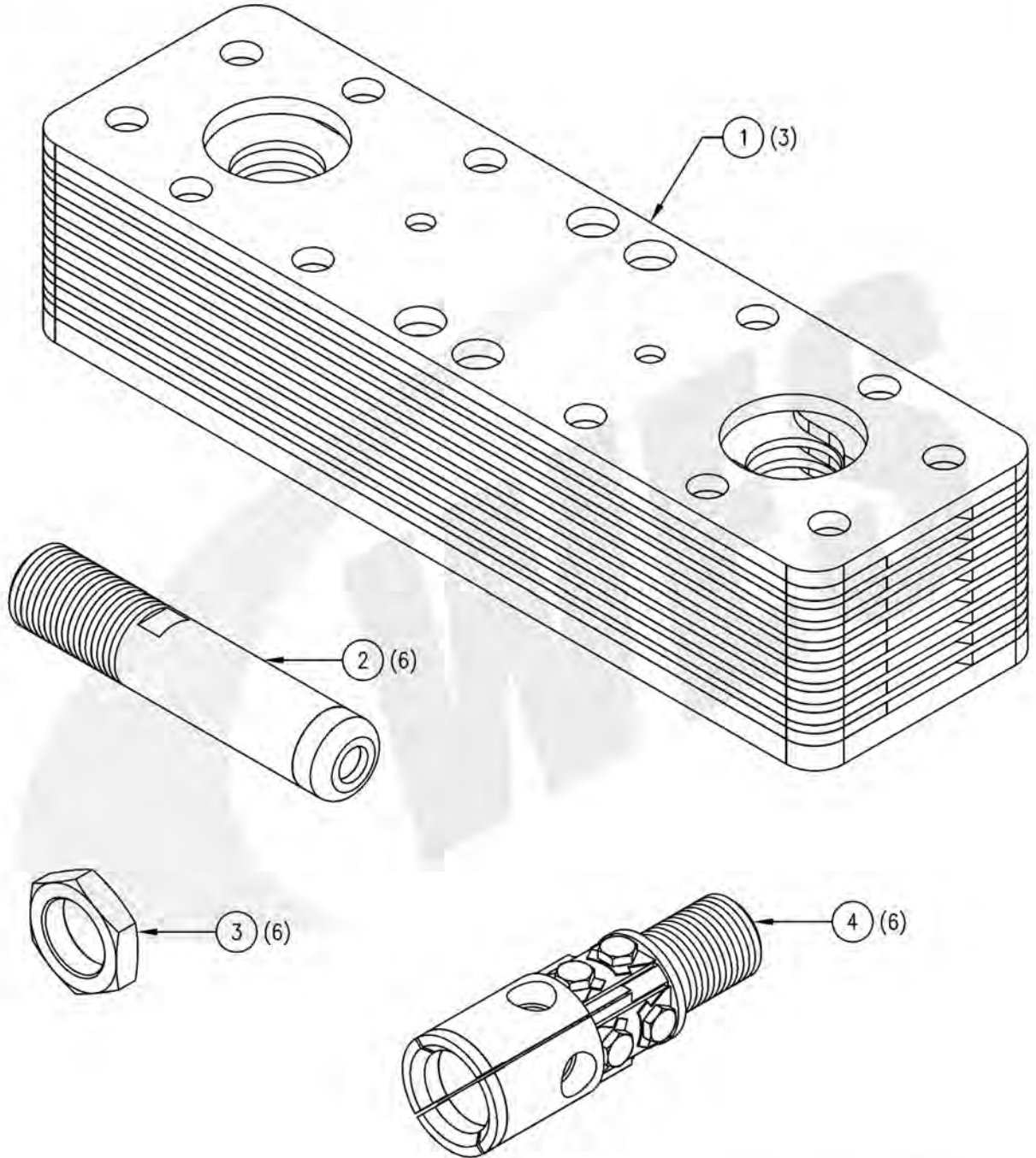
PARTS LIST			
ITEM NO.	PART NUMBER	DESCRIPTION	QTY
1	05-500-0012	CONTACT FINGER ASSEMBLY, STATIONARY	42
2	05-500-0022	CONTACT FINGER ASSEMBLY, ARCING, STATIONARY	6
3	05-503-0001	CONTACT ROD ASSEMBLY, MOVING	6
4	05-503-0003	BAFFLE STACK ASSEMBLY	6



WESTERN ELECTRICAL SERVICES	
EQUIPMENT: ITE 14.4KS500-20C	
TITLE: KIT, BAFFLE & CONTACT	
DWG NO. 05-503-0006K	REV: 0



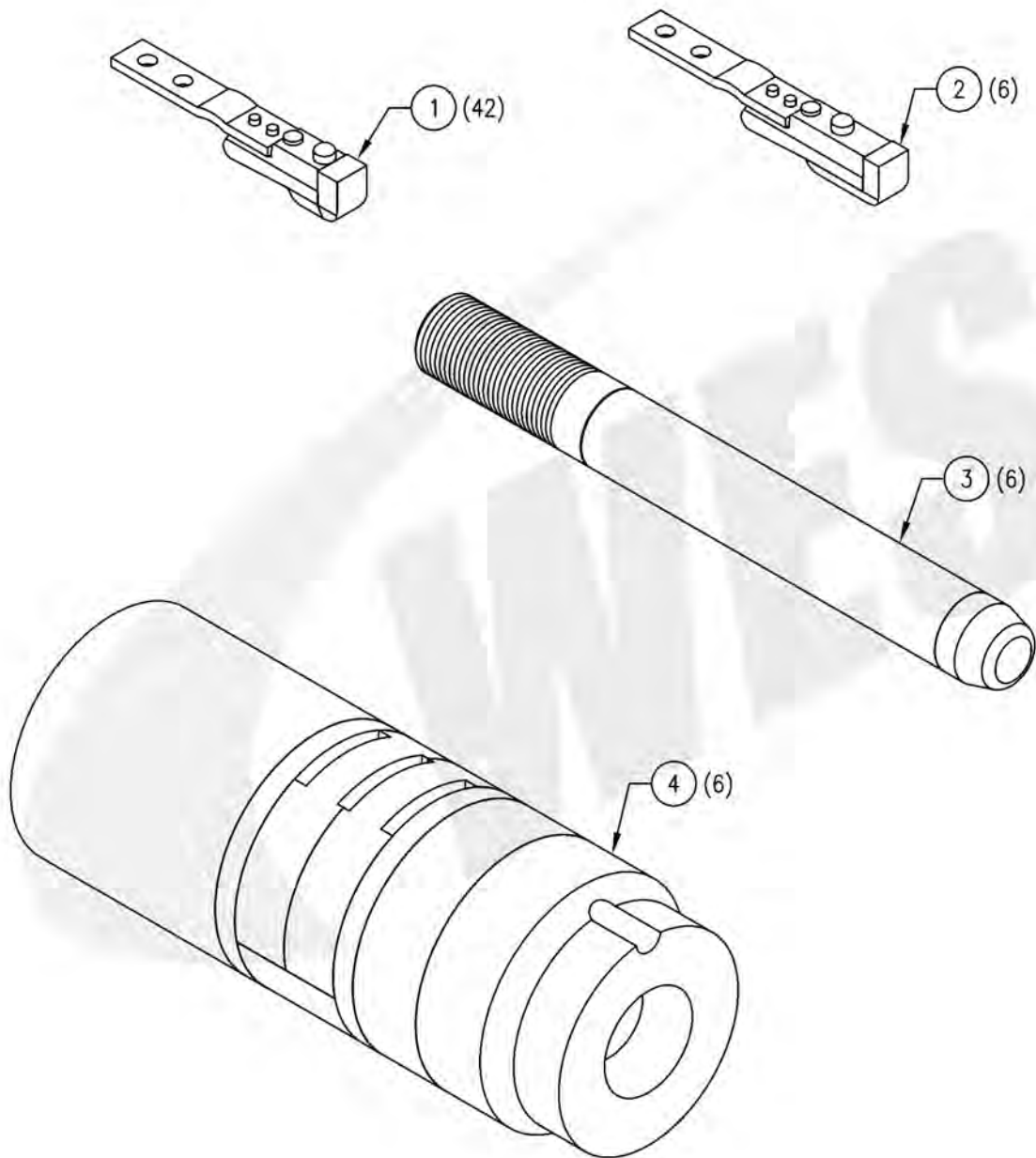
PARTS LIST			
ITEM NO.	PART NUMBER	DESCRIPTION	QTY
1	05-505-0001	BAFFLE STACK ASSEMBLY	3
2	05-505-0007P	CONTACT ROD ASSEMBLY, MOVING	6
3	05-505-0010	NUT, CONTACT ROD	6
4	05-505-0011	CONTACT ASSEMBLY, STATIONARY	6



<b>WESTERN ELECTRICAL SERVICES</b>	
EQUIPMENT: ITE/KELMAN 14.4TK 500	
TITLE: REPLACEMENT PARTS	
DWG NO. 05-505-0000K	REV: 0



PARTS LIST			
ITEM NO.	PART NUMBER	DESCRIPTION	QTY
1	05-500-0012	CONTACT FINGER ASSEMBLY, STATIONARY	42
2	05-500-0022	CONTACT FINGER ASSEMBLY, ARCING, STATIONARY	6
3	05-500-0025	CONTACT ROD ASSEMBLY, MOVING	6
4	05-500-0028	BAFFLE STACK ASSEMBLY	6



WESTERN ELECTRICAL SERVICES

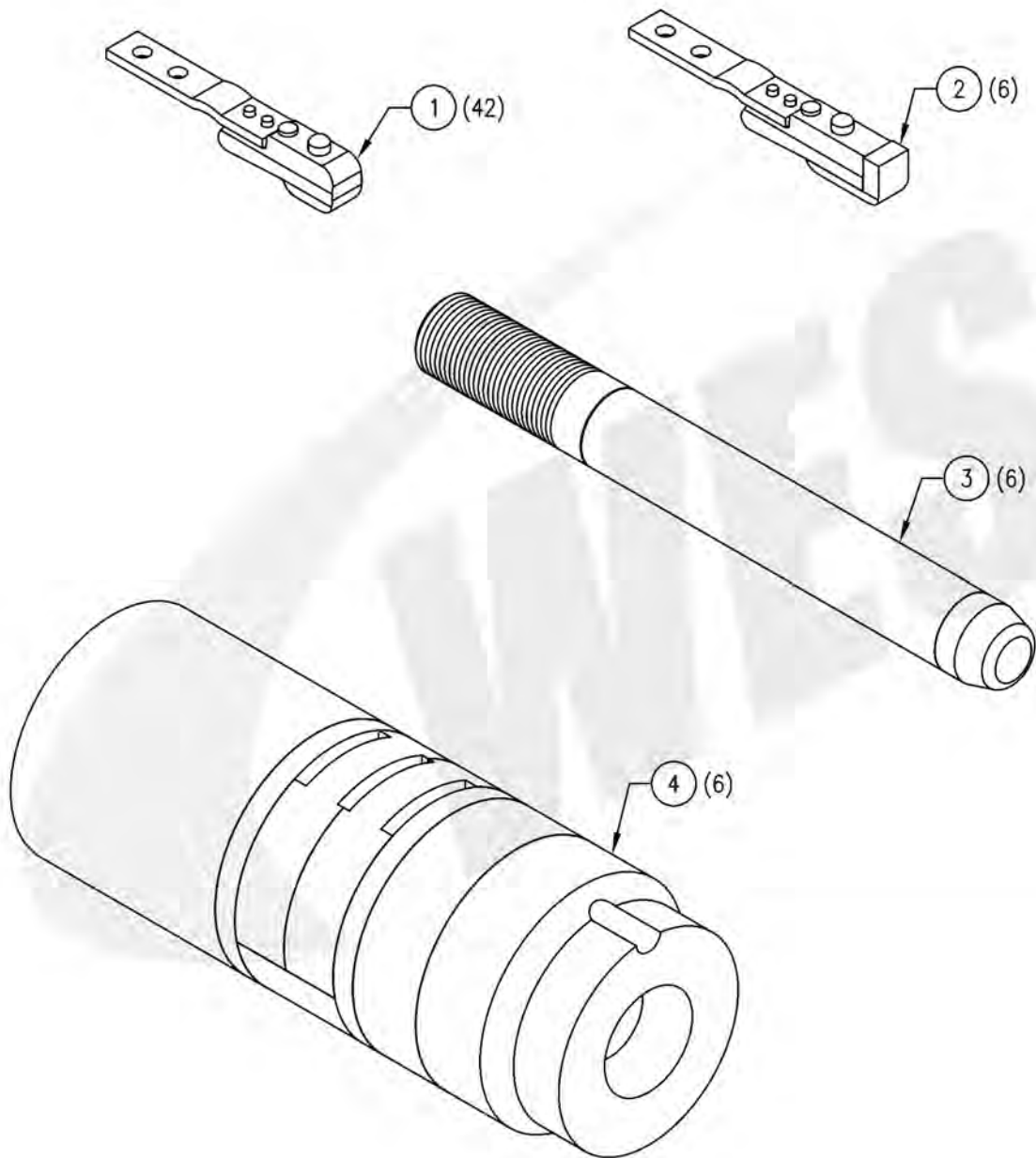
EQUIPMENT: ITE 23KS500-6B

TITLE: KIT, BAFFLE & CONTACT

DWG NO. 05-500-0001K

REV: 0

PARTS LIST			
ITEM NO.	PART NUMBER	DESCRIPTION	QTY
1	05-500-0003	CONTACT FINGER ASSEMBLY, STATIONARY	42
2	05-500-0022	CONTACT FINGER ASSEMBLY, ARCING, STATIONARY	6
3	05-500-0025	CONTACT ROD ASSEMBLY, MOVING	6
4	05-500-0028	BAFFLE STACK ASSEMBLY	6



WESTERN ELECTRICAL SERVICES

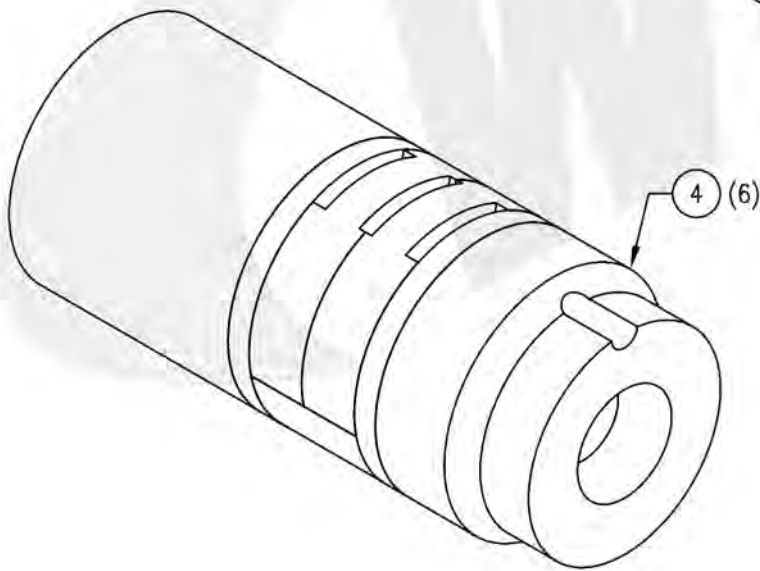
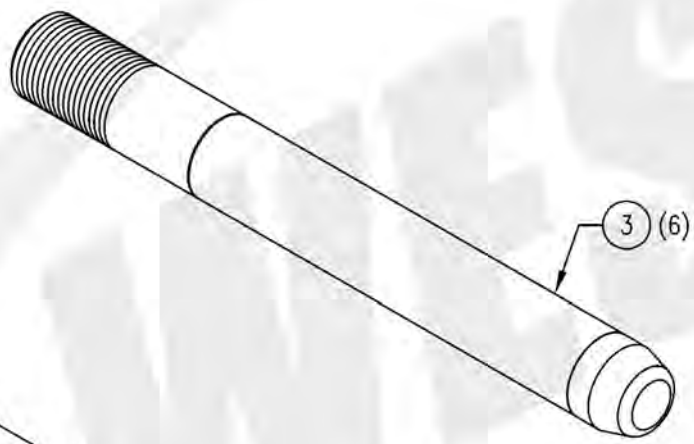
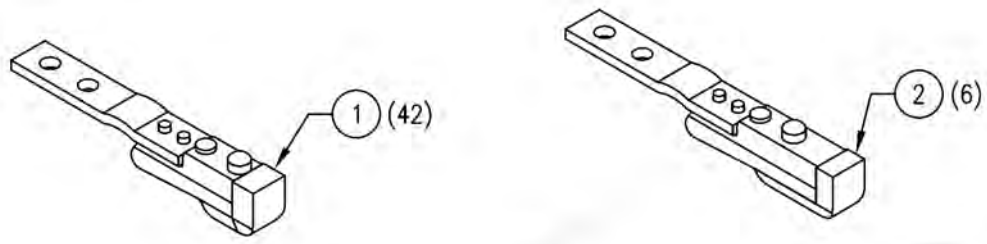
EQUIPMENT: ITE 23KS500-12B

TITLE: KIT, BAFFLE & CONTACT

DWG NO. 05-500-0002K

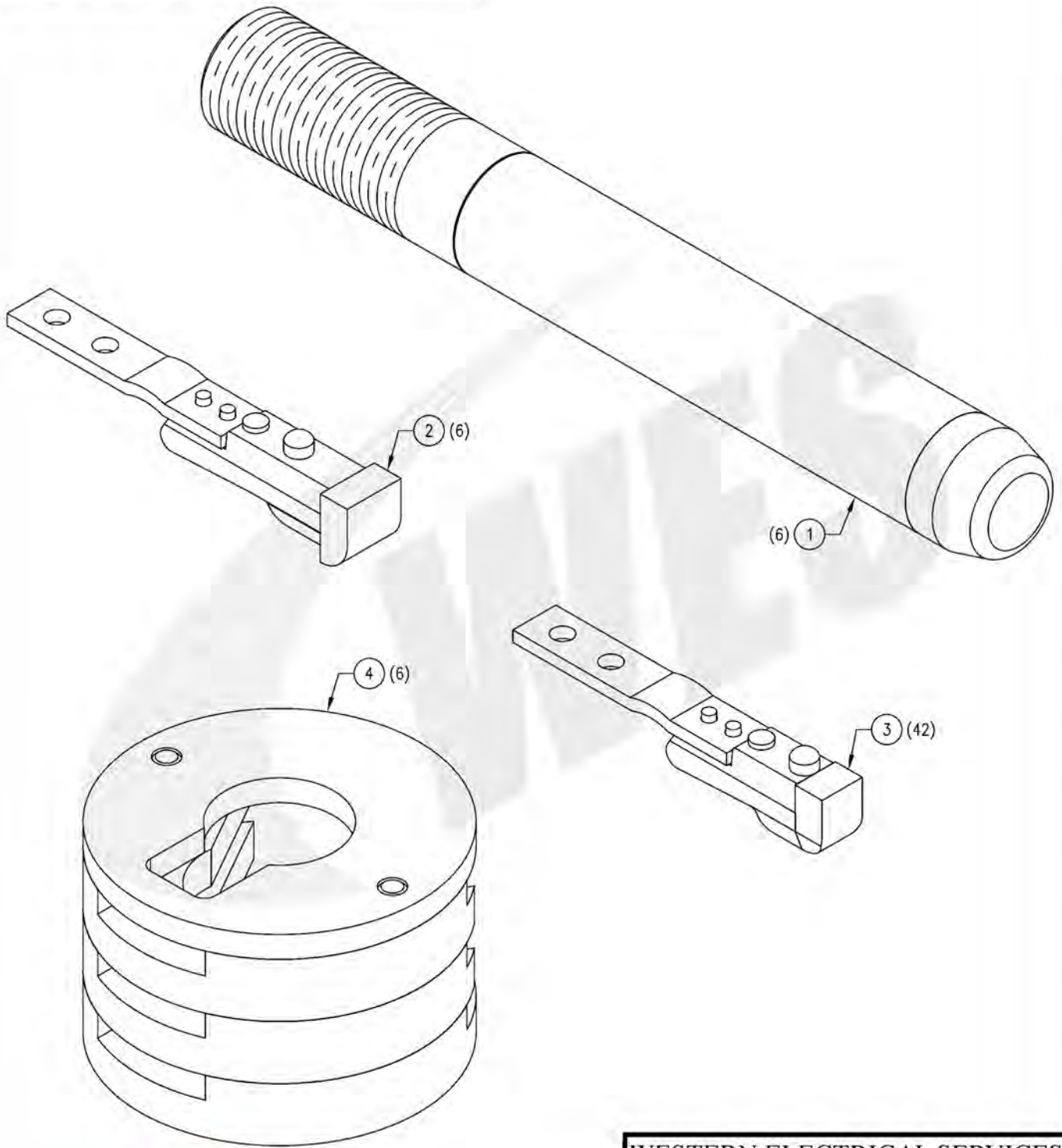
REV: 0

PARTS LIST			
ITEM NO.	PART NUMBER	DESCRIPTION	QTY
1	05-500-0012	CONTACT FINGER ASSEMBLY, STATIONARY	42
2	05-500-0022	CONTACT FINGER ASSEMBLY, ARCING, STATIONARY	6
3	05-503-0001	CONTACT ROD ASSEMBLY, MOVING	6
4	05-503-0003	BAFFLE STACK ASSEMBLY	6



<b>WESTERN ELECTRICAL SERVICES</b>	
EQUIPMENT: ITE 23KS500-12C	
TITLE: KIT, BAFFLE & CONTACT	
DWG NO. 05-500-0003K	REV: 0

PARTS LIST			
ITEM NO.	PART NUMBER	DESCRIPTION	QTY
1	05-500-0000	CONTACT ROD ASSEMBLY, MOVING	6
2	05-500-0004	CONTACT FINGER ASSEMBLY, ARCING, STATIONARY	6
3	05-500-0012	CONTACT FINGER ASSEMBLY, STATIONARY	42
4	05-500-0016	BAFFLE STACK ASSEMBLY	6



WESTERN ELECTRICAL SERVICES

EQUIPMENT: ITE 23KS500-12D

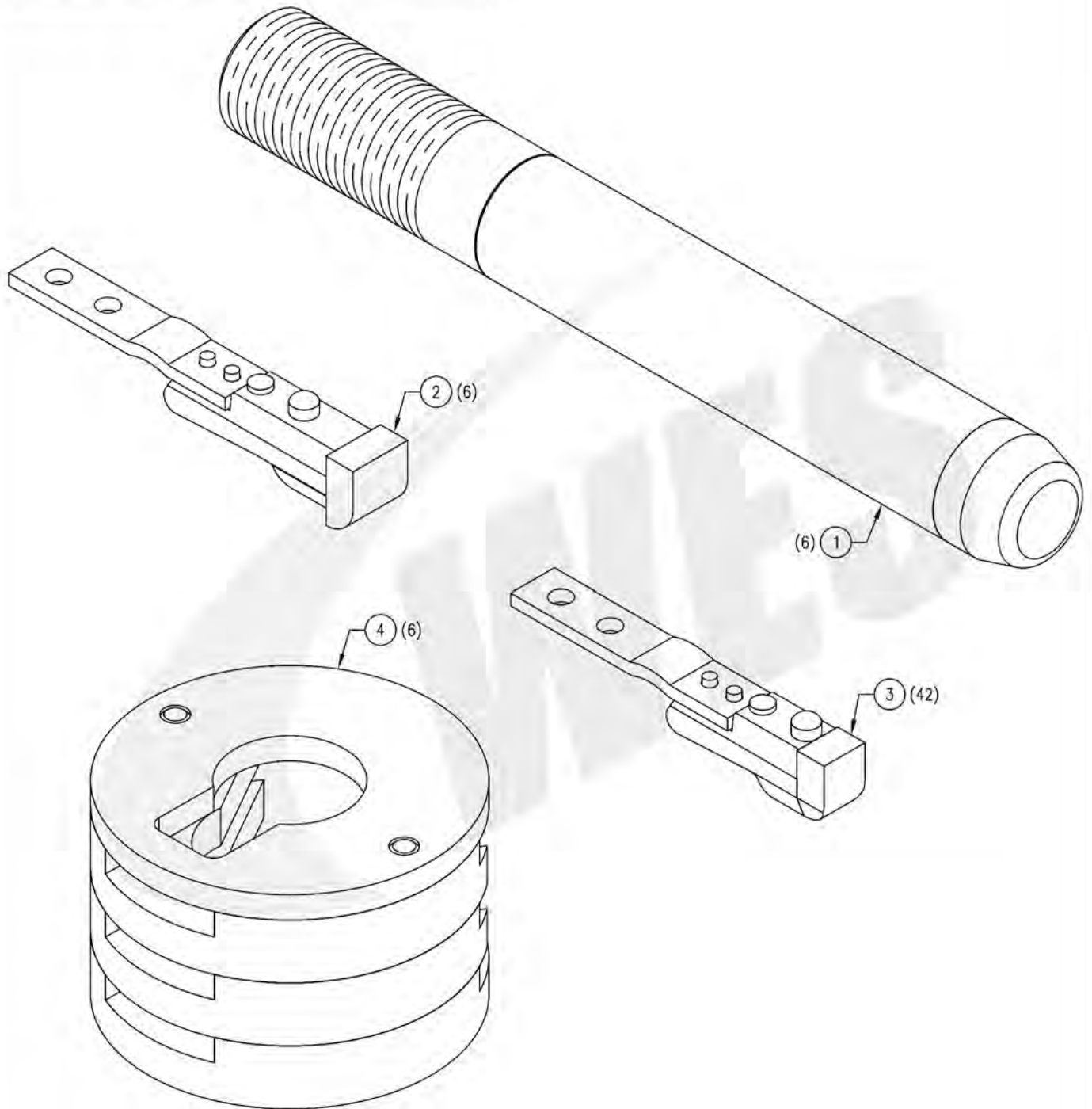
TITLE: KIT, BAFFLE & CONTACT

DWG NO. 05-500-0004K

REV: 0



PARTS LIST			
ITEM NO.	PART NUMBER	DESCRIPTION	QTY
1	05-500-0000	CONTACT ROD ASSEMBLY, MOVING	6
2	05-500-0004	CONTACT FINGER ASSEMBLY, ARCING, STATIONARY	6
3	05-500-0012	CONTACT FINGER ASSEMBLY, STATIONARY	42
4	05-500-0016	BAFFLE STACK ASSEMBLY	6



WESTERN ELECTRICAL SERVICES

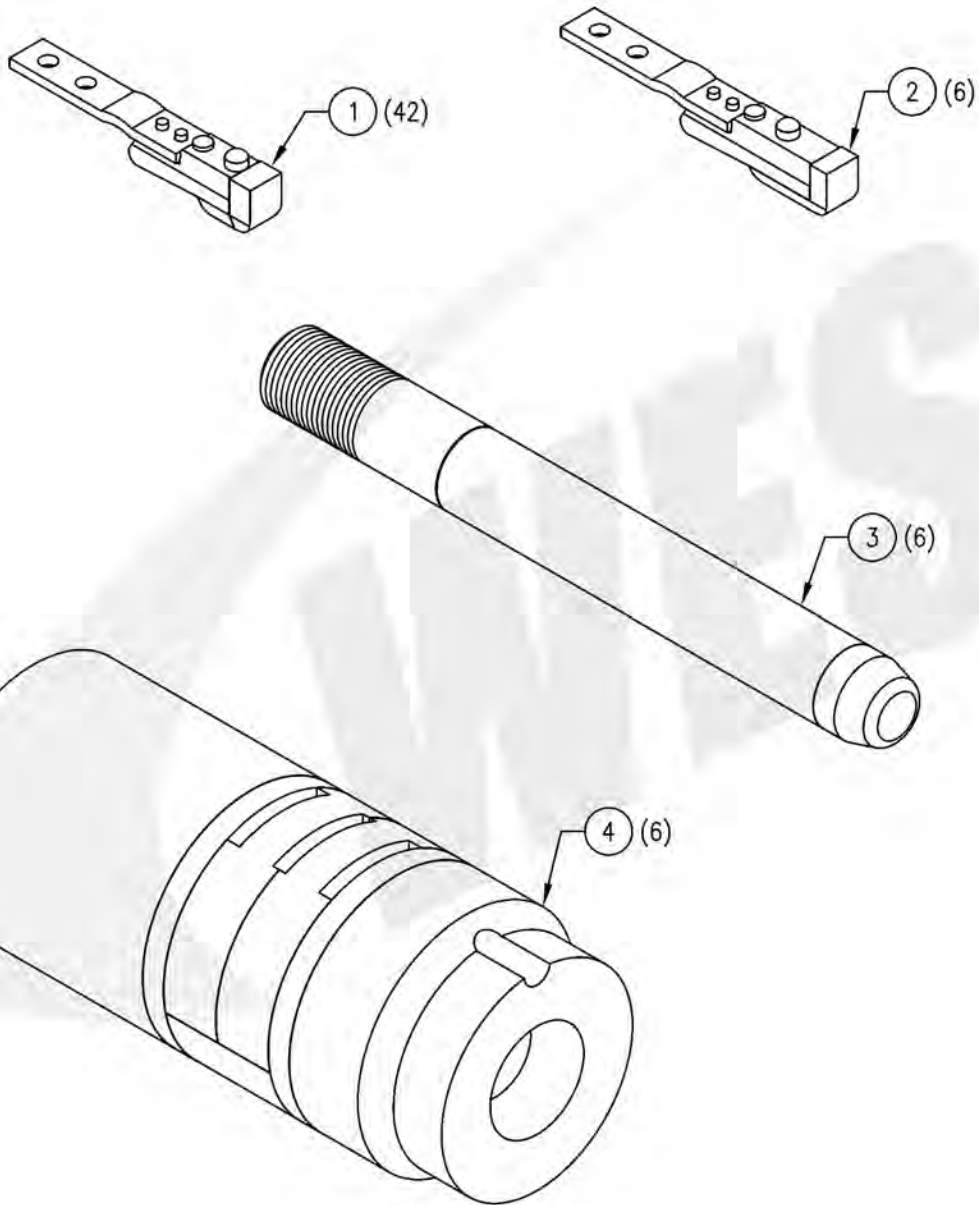
EQUIPMENT: ITE 23KS500-16D

TITLE: KIT, BAFFLE & CONTACT

DWG NO. 05-500-0000K

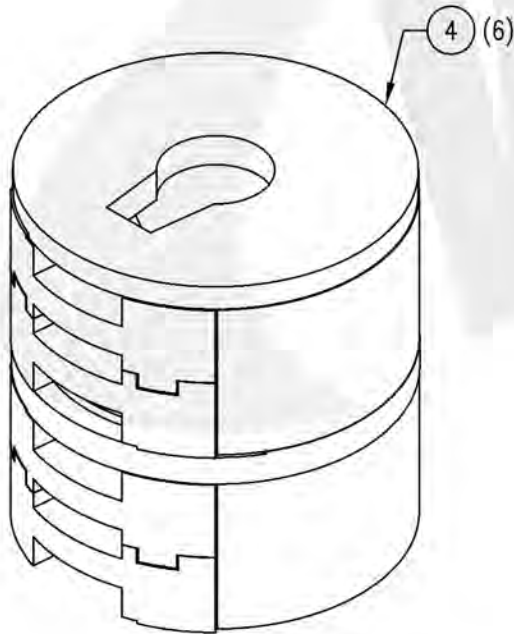
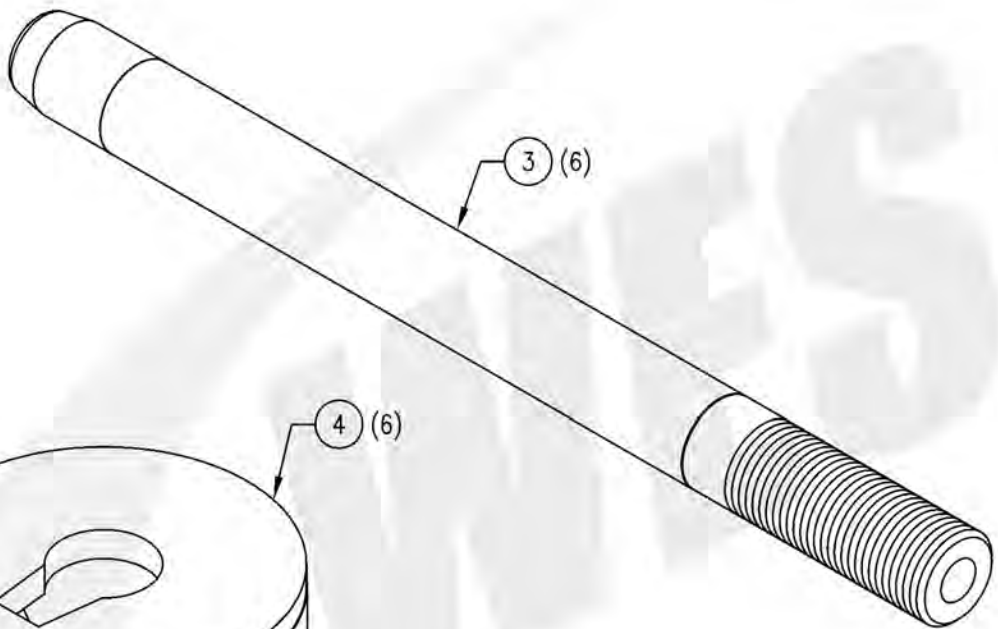
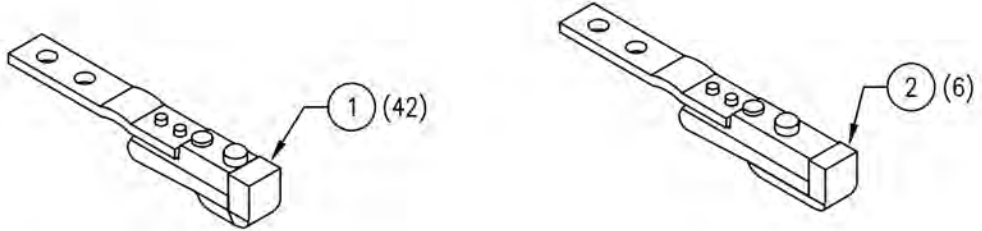
REV: 0

PARTS LIST			
ITEM NO.	PART NUMBER	DESCRIPTION	QTY
1	05-500-0012	CONTACT FINGER ASSEMBLY, STATIONARY	42
2	05-500-0022	CONTACT FINGER ASSEMBLY, ARCING, STATIONARY	6
3	05-503-0001	CONTACT ROD ASSEMBLY, MOVING	6
4	05-503-0003	BAFFLE STACK ASSEMBLY	6



WESTERN ELECTRICAL SERVICES	
EQUIPMENT: ITE 23KS500-20C	
TITLE: KIT, BAFFLE & CONTACT	
DWG NO. 05-500-0005K	REV: 0

PARTS LIST			
ITEM NO.	PART NUMBER	DESCRIPTION	QTY
1	05-500-0012	CONTACT FINGER ASSEMBLY, STATIONARY	42
2	05-500-0022	CONTACT FINGER ASSEMBLY, ARCING, STATIONARY	6
3	05-501-0007	CONTACT ROD ASSEMBLY, MOVING	6
4	05-501-0010	BAFFLE STACK ASSEMBLY	6



WESTERN ELECTRICAL SERVICES

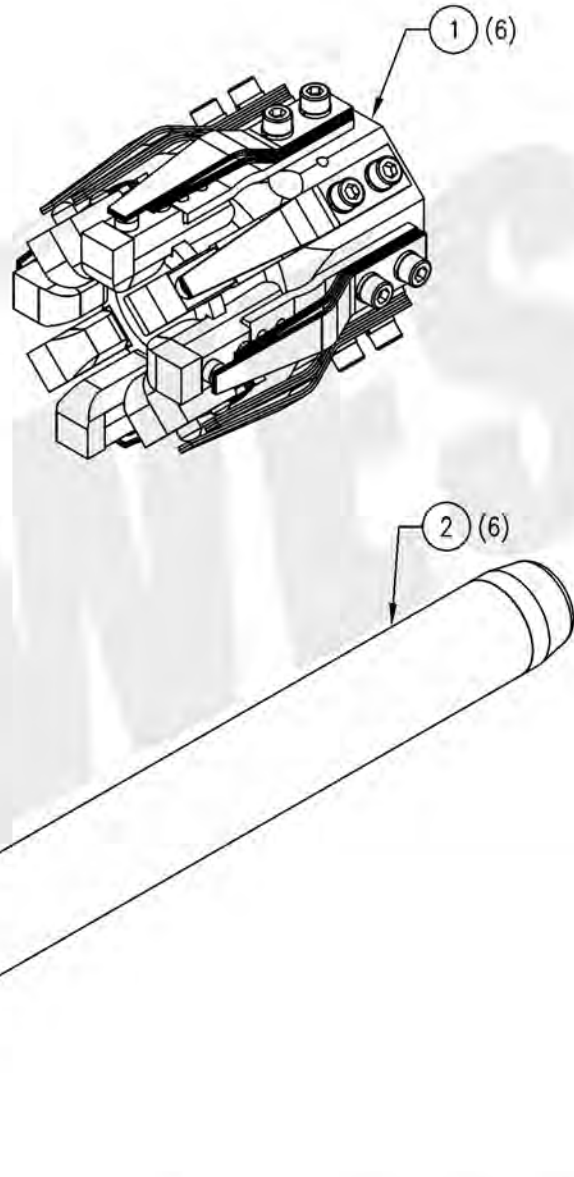
EQUIPMENT: ITE 34.5KS1500-12B

TITLE: KIT, BAFFLE & CONTACT

DWG NO. 05-504-0000K

REV: 0

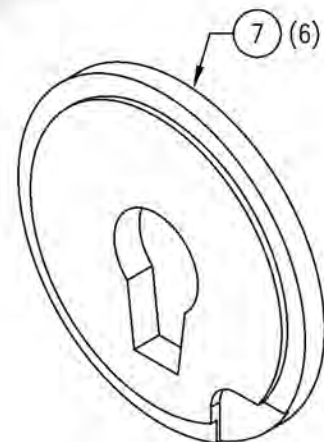
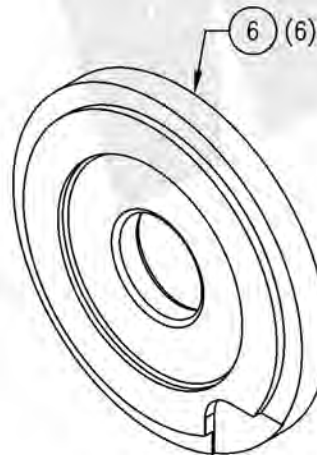
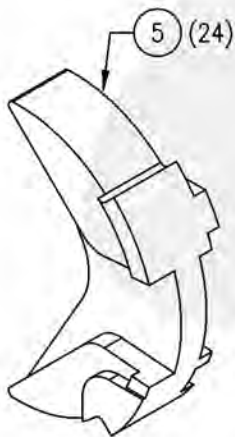
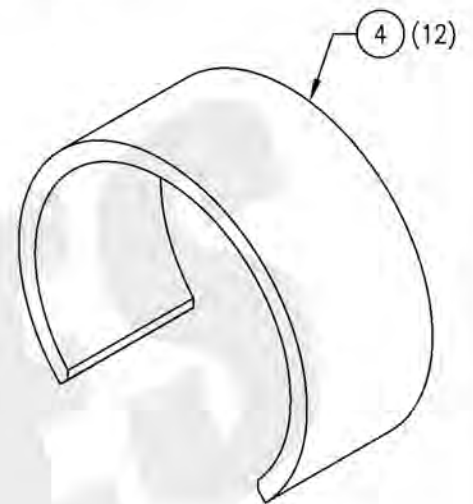
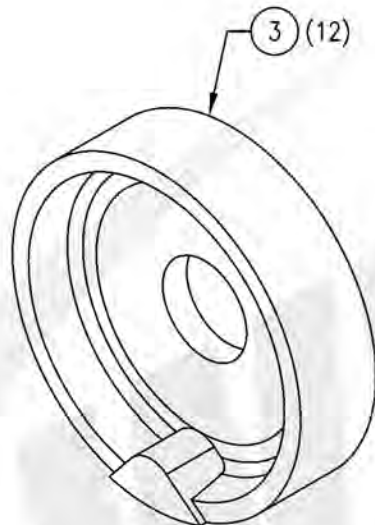
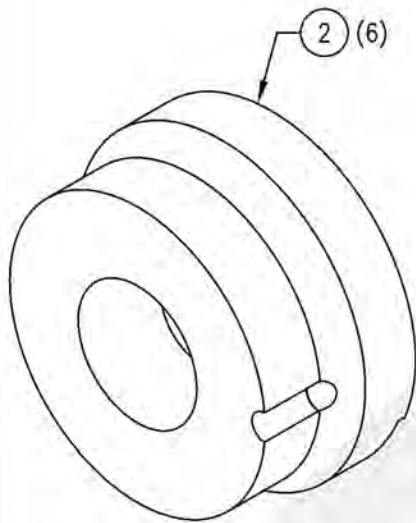
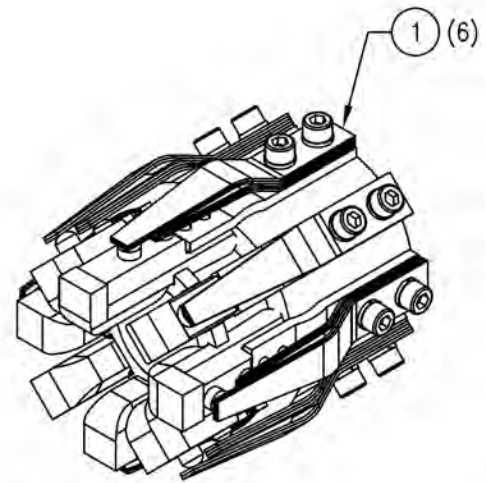
PARTS LIST			
ITEM NO.	PART NUMBER	DESCRIPTION	QTY
1	05-501-0011	BUSHING ADAPTER ASSEMBLY	6
2	05-501-0013	CONTACT ROD ASSEMBLY, MOVING	6



WESTERN ELECTRICAL SERVICES	
EQUIPMENT: ITE 46KS1500-12B	
TITLE: REPLACEMENT PARTS	
DWG NO. 05-501-0001K	REV: 0



PARTS LIST			
ITEM NO.	PART NUMBER	DESCRIPTION	QTY
1	05-502-0001	BUSHING ADAPTER ASSEMBLY	6
2	05-501-0001	BUSHING, THROAT	6
3	05-501-0002	PLATE, SPACER	12
4	05-501-0003	SPACER, HALF-RING	12
5	05-501-0004	PLATE, BAFFLE	24
6	05-501-0005	PLATE, CENTER	6
7	05-501-0006	PLATE, TOP	6



WESTERN ELECTRICAL SERVICES

EQUIPMENT: ITE 46KS2500-12

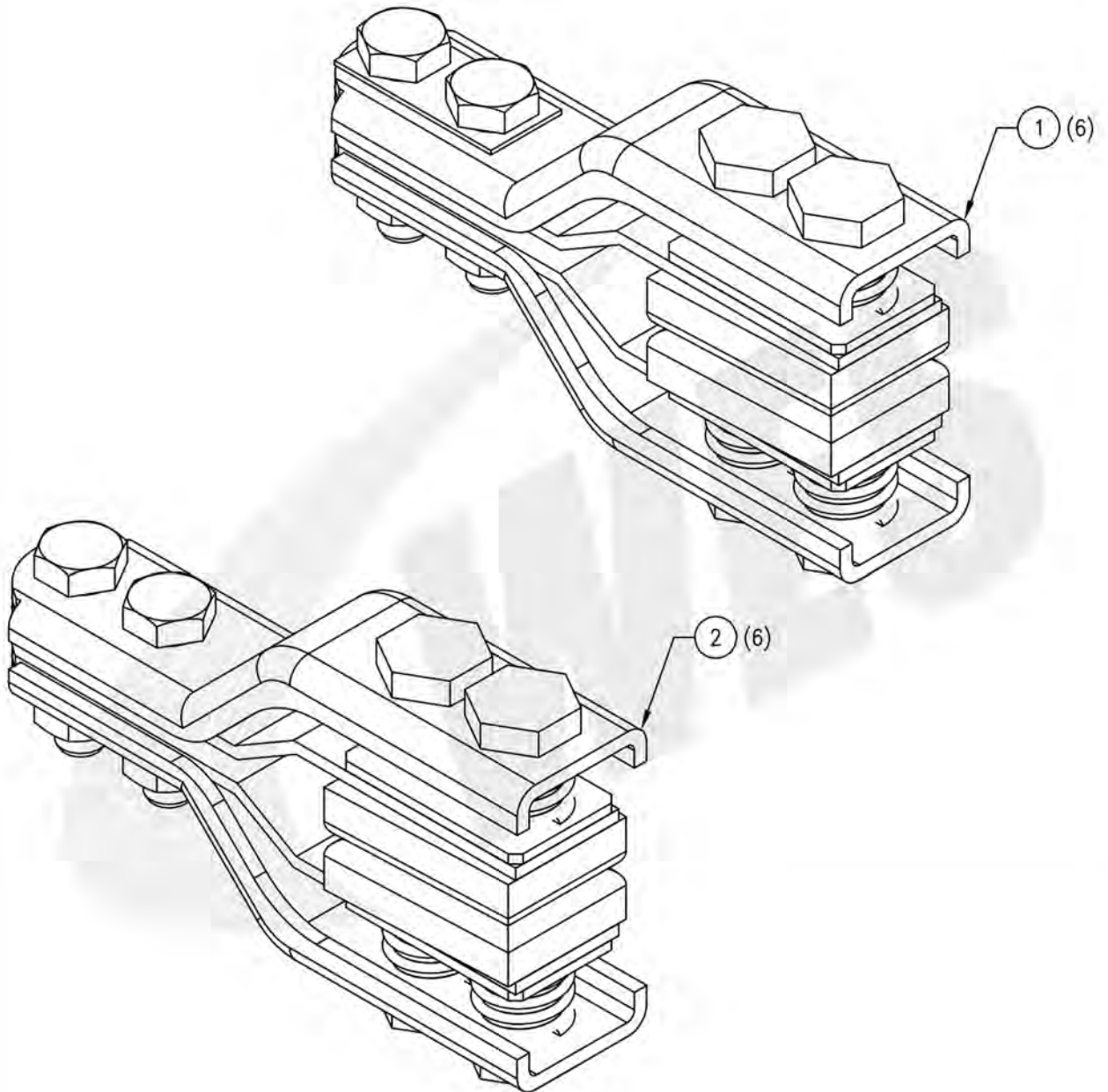
TITLE: REPLACEMENT PARTS

DWG NO. 05-501-0000K

REV: 0

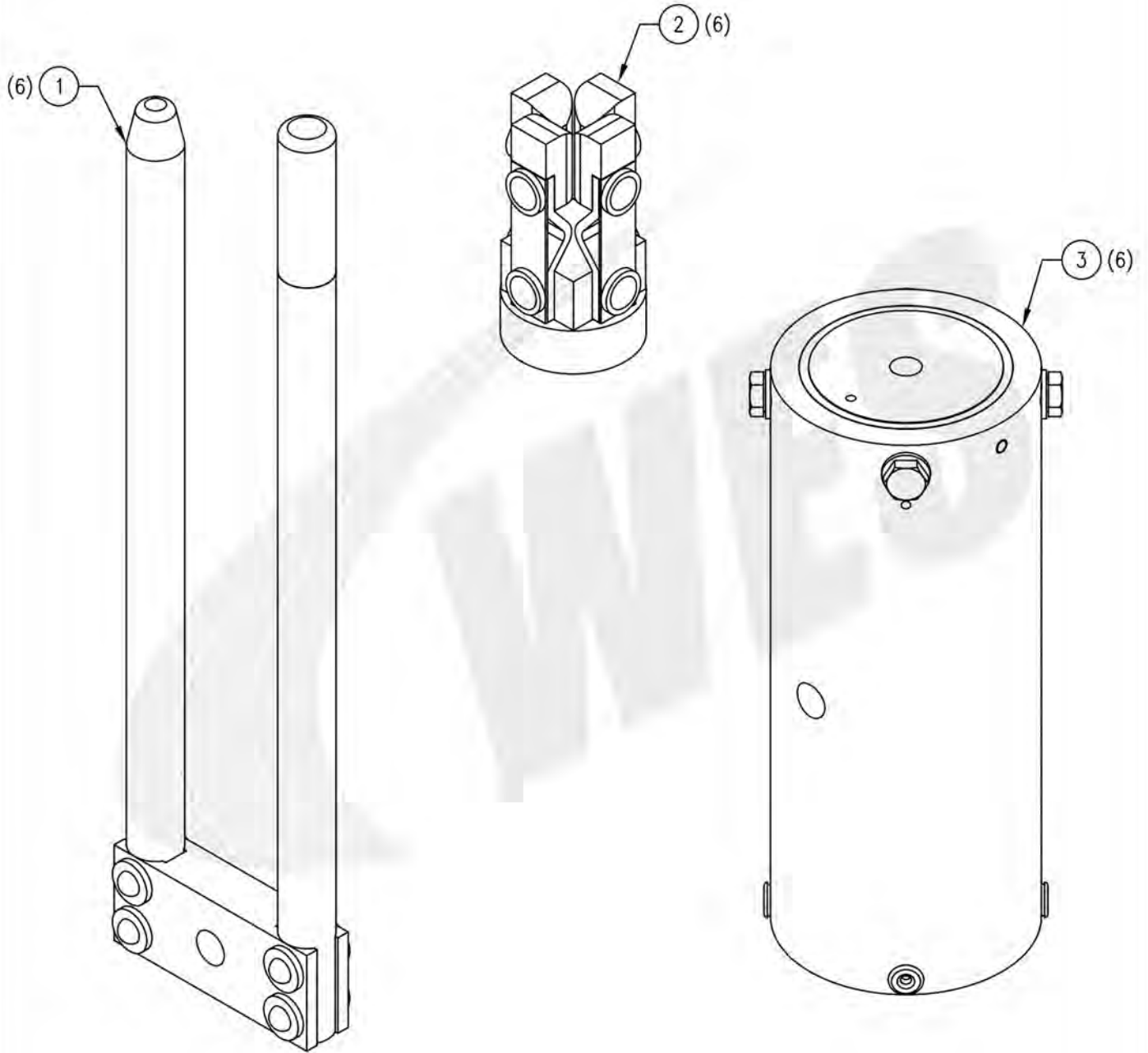
**McGraw Edison**  
**Load Tap Changer**  
**Replacement Parts**  
**&**  
**Oil Circuit Breaker**  
**Replacement Parts**

PARTS LIST			
ITEM NO.	PART NUMBER	DESCRIPTION	QTY
1	02-208-0001	CONTACT FINGER ASSEMBLY, MAIN, MOVABLE	6
2	02-208-0011	CONTACT FINGER ASSEMBLY, MOVABLE, REVERSING SWITCH	6



WESTERN ELECTRICAL SERVICES	
EQUIPMENT: MCGRAW EDISON 220	
TITLE: REPLACEMENT PARTS	
DWG NO. 02-208-0000K	REV: 0

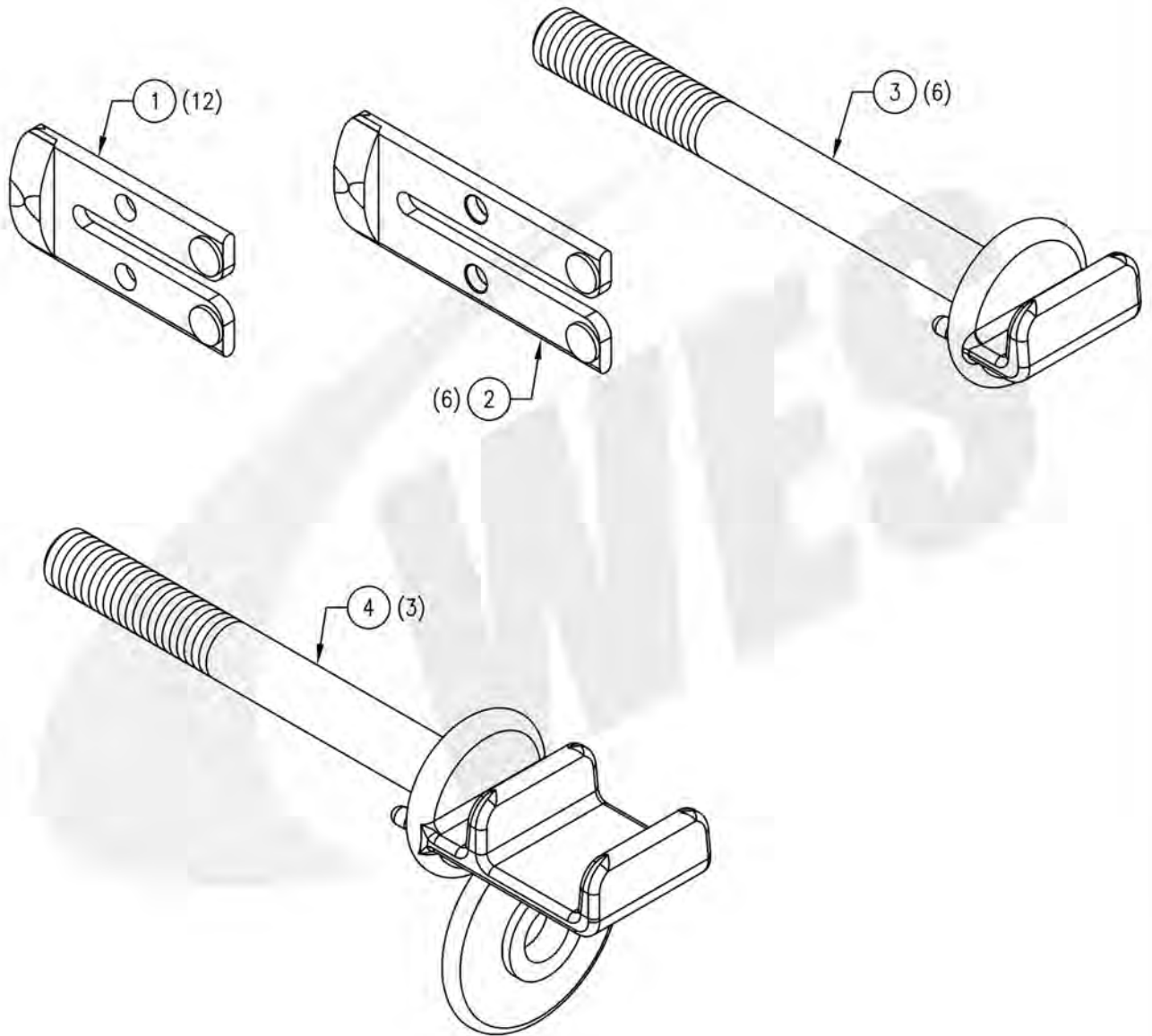
PARTS LIST			
ITEM NO.	PART NUMBER	DESCRIPTION	QTY
1	02-203-0001	CONTACT ROD ASSEMBLY, MOVING	6
2	02-203-0008	CONTACT, STATIONARY CURRENT CARRYING	6
3	02-203-0018	INTERRUPTER ASSEMBLY	6



WESTERN ELECTRICAL SERVICES	
EQUIPMENT: McGRAW EDISON 333	
TITLE: CONTACT KIT, TRANSFER SWITCH	
DWG NO. 02-203-0000K	REV: 0



PARTS LIST			
ITEM NO.	PART NUMBER	DESCRIPTION	QTY
1	02-203-0036	CONTACT FINGER ASSEMBLY, MOVING, SELECTOR SWITCH	12
2	02-203-0040	CONTACT FINGER ASSEMBLY, MOVING, REVERSING SWITCH	6
3	02-203-0042	CONTACT ASSEMBLY, STATIONARY, REVERSING SWITCH	6
4	02-203-0047	CONTACT ASSEMBLY, STATIONARY, NEUTRAL	3



WESTERN ELECTRICAL SERVICES

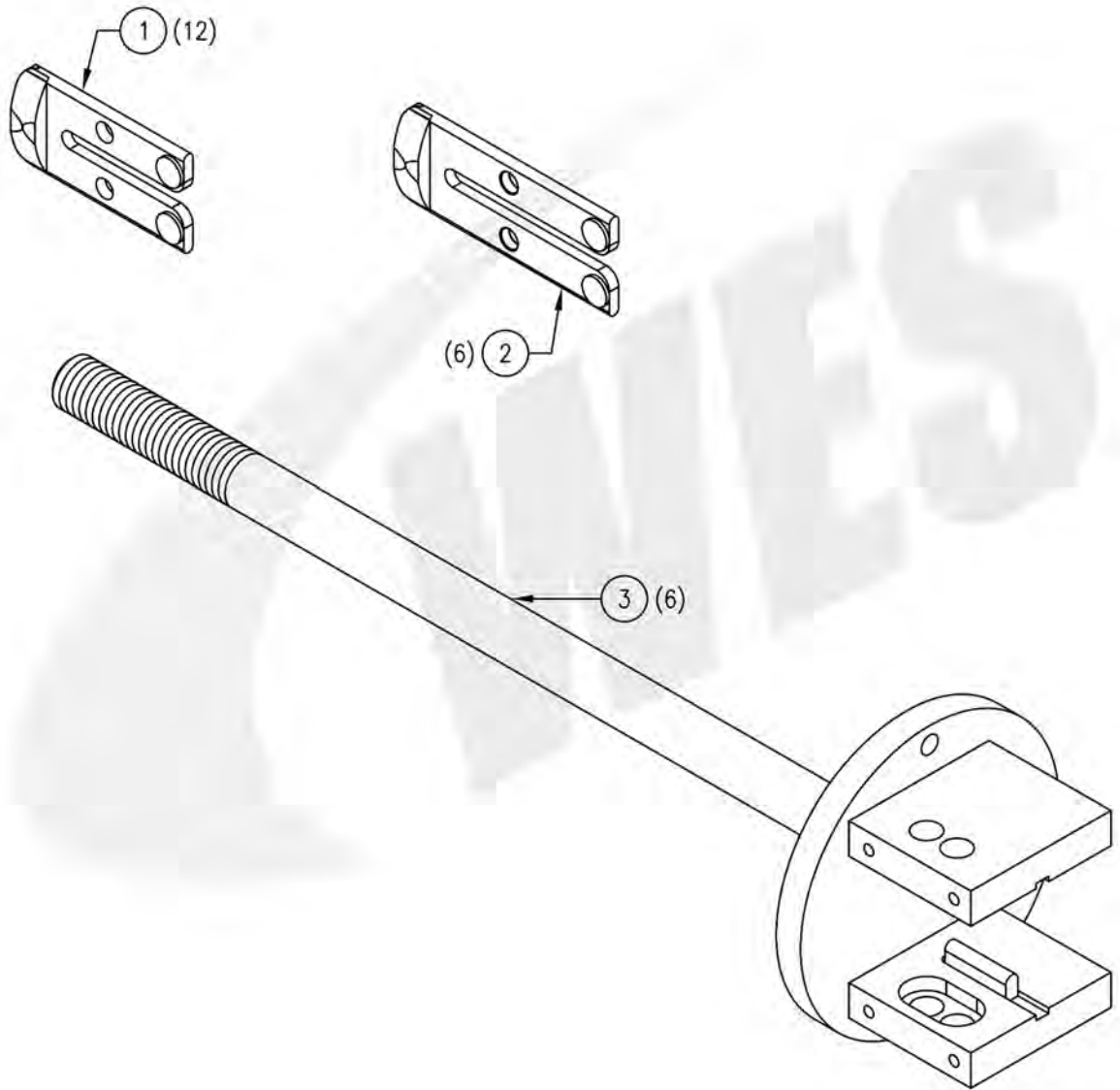
EQUIPMENT: MCGRAW EDISON 333

TITLE: REPLACEMENT PARTS

DWG NO. 02-203-0001K

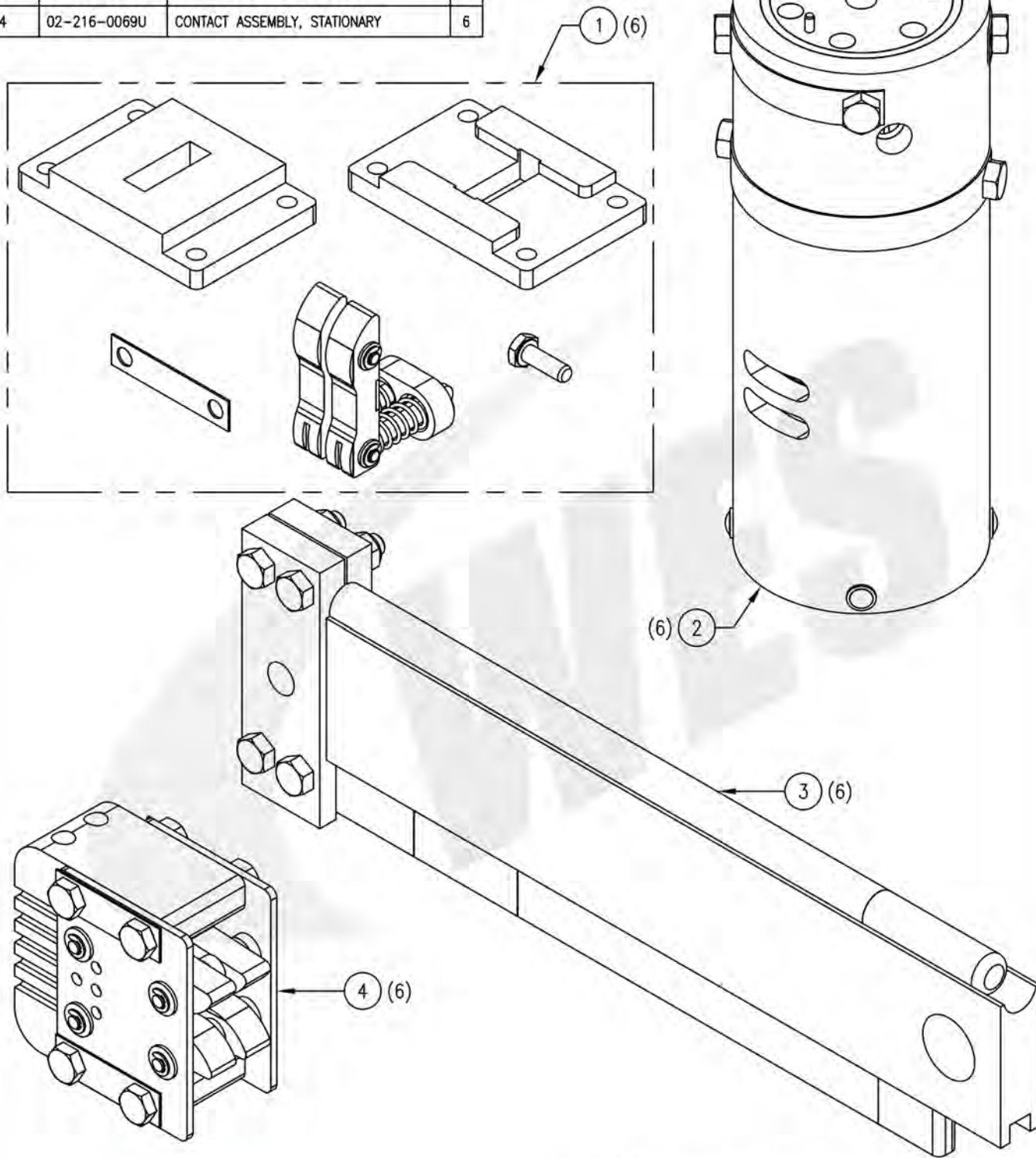
REV: 0

PARTS LIST			
ITEM NO.	PART NUMBER	DESCRIPTION	QTY
1	02-203-0036	CONTACT FINGER ASSEMBLY, MOVING, SELECTOR SWITCH	12
2	02-203-0040	CONTACT FINGER ASSEMBLY, MOVING, REVERSING SWITCH	6
3	02-213-0001	LOWER BUSHING ROD ASSY, TRANSFER SWITCH	6



<b>WESTERN ELECTRICAL SERVICES</b>	
EQUIPMENT: McGRAW EDISON 394	
TITLE: NOT INCLUDED IN KIT	
DWG NO. 02-213-0000K-2	REV: 0

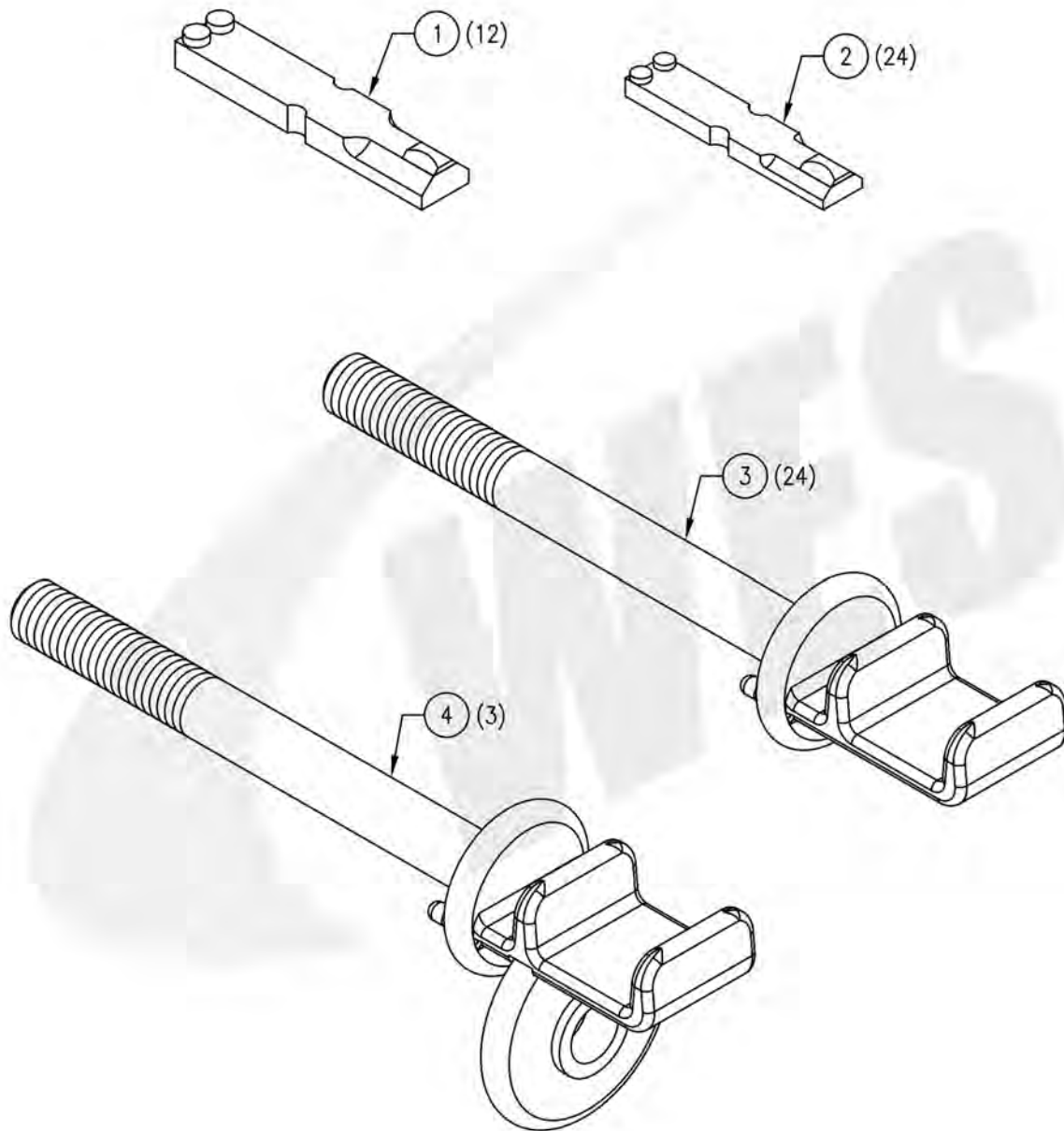
PARTS LIST			
ITEM NO.	PART NUMBER	DESCRIPTION	QTY
1	02-216-0002U	LOWER CONTACT KIT, TRANSFER SWITCH	6
2	02-216-0003U	ARCING CHAMBER TRANSFER SWITCH	6
3	02-216-0057U	CONTACT ASSEMBLY, MOVABLE	6
4	02-216-0069U	CONTACT ASSEMBLY, STATIONARY	6



WESTERN ELECTRICAL SERVICES	
EQUIPMENT: MCGRAW EDISON 394	
TITLE: KIT, TRANSFER SWITCH	
DWG NO. 02-213-0000KU	REV: 0



PARTS LIST			
ITEM NO.	PART NUMBER	DESCRIPTION	QTY
1	02-212-0001	CONTACT FINGER ASSEMBLY, REVERSING SWITCH	12
2	02-212-0005	CONTACT FINGER ASSEMBLY, SELECTOR SWITCH	24
3	02-212-0008	CONTACT ASSEMBLY, STATIONARY, SELECTOR SWITCH	24
4	02-212-0010	CONTACT ASSEMBLY, STATIONARY, NEUTRAL	3



WESTERN ELECTRICAL SERVICES

EQUIPMENT: MCGRAW EDISON 396

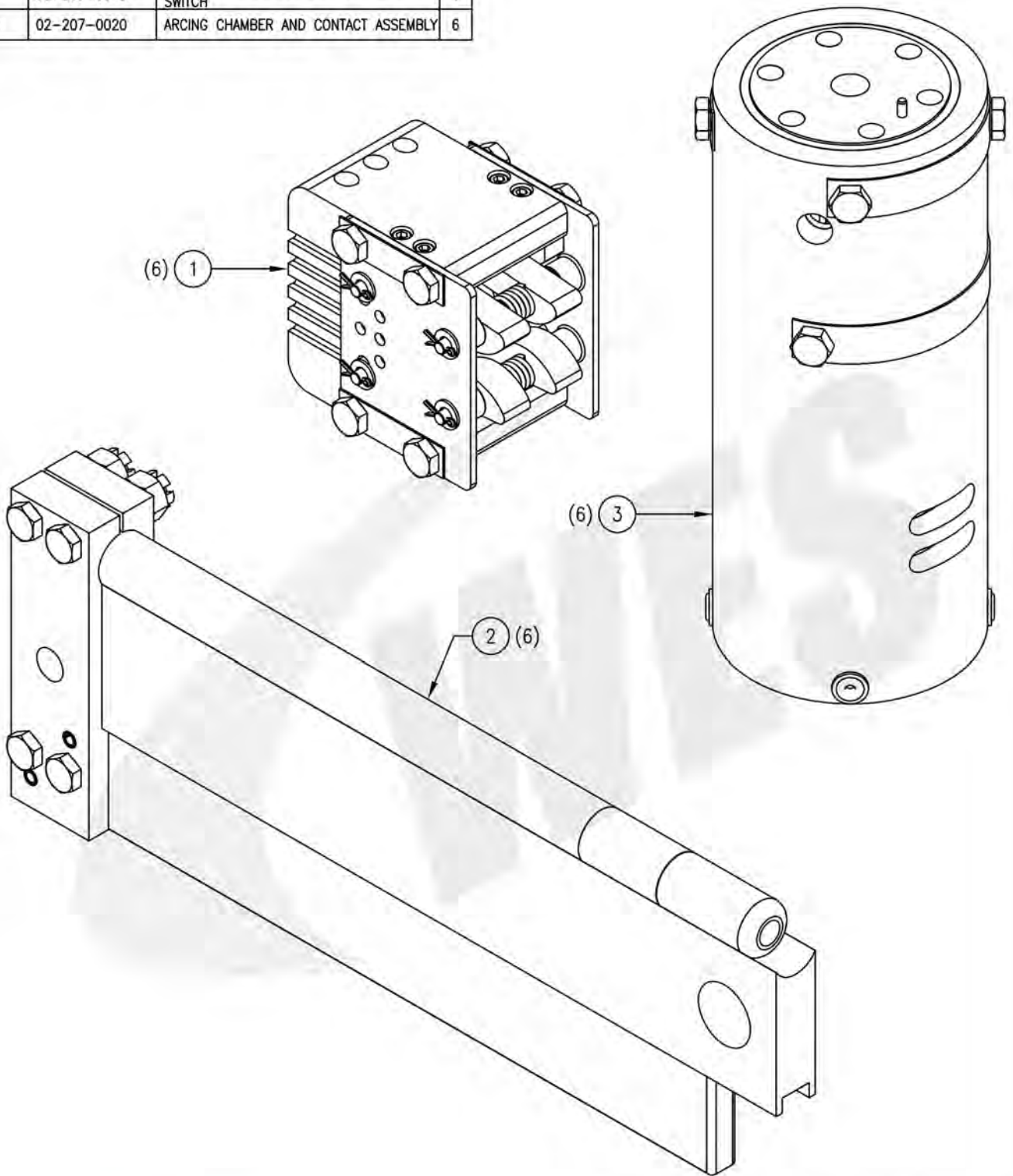
TITLE: REPLACEMENT PARTS

DWG NO. 02-212-0000K

REV: 0



PARTS LIST			
ITEM NO.	PART NUMBER	DESCRIPTION	QTY
1	02-207-0001	CONTACT ASSEMBLY, STATIONARY, TRANSFER SWITCH	6
2	02-207-0013	CONTACT ASSEMBLY, MOVING, TRANSFER SWITCH	6
3	02-207-0020	ARCING CHAMBER AND CONTACT ASSEMBLY	6



WESTERN ELECTRICAL SERVICES

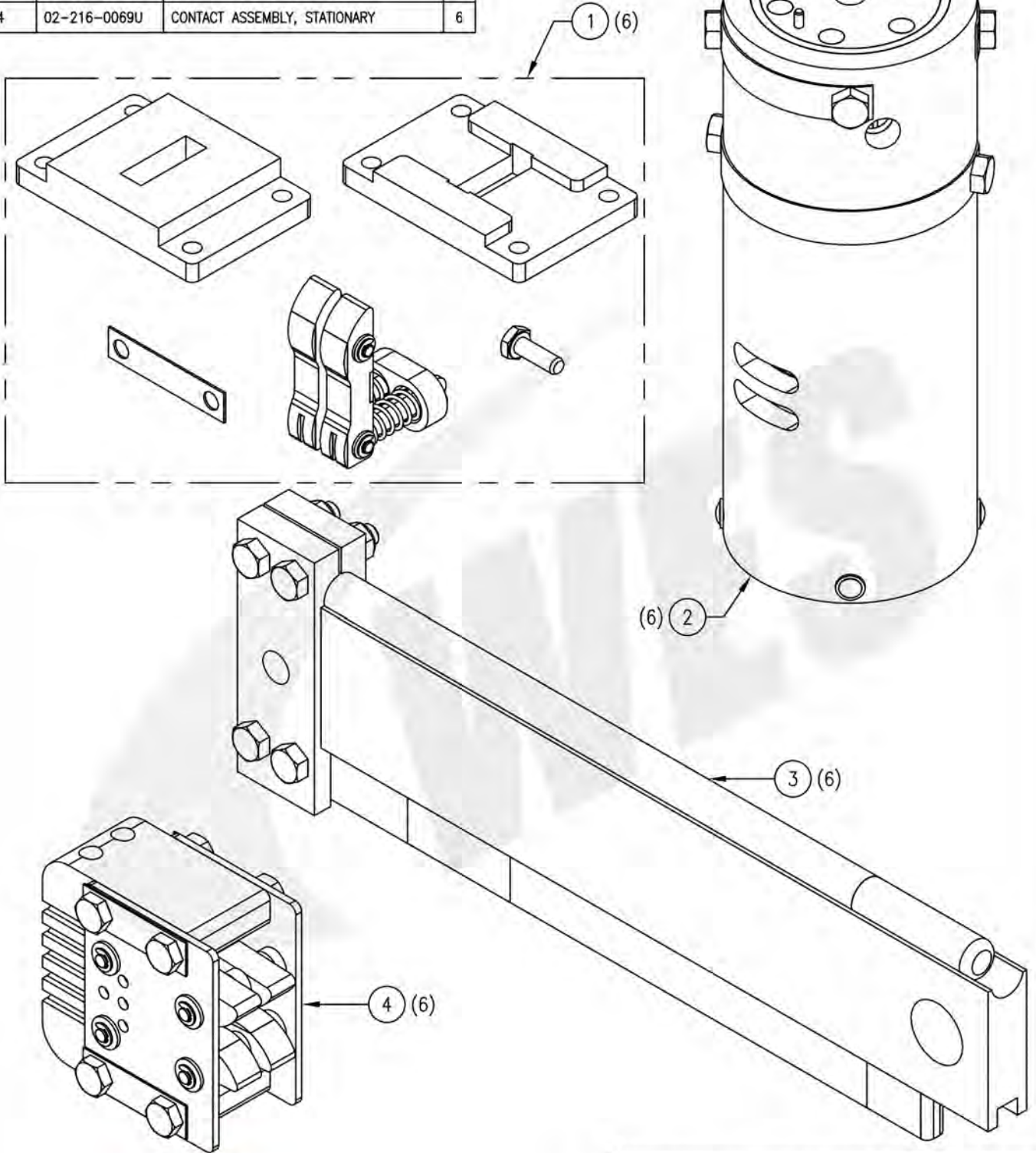
EQUIPMENT: MCGRAW EDISON 396B

TITLE: KIT, TRANSFER SWITCH

DWG NO. 02-212-0002K

REV: 0

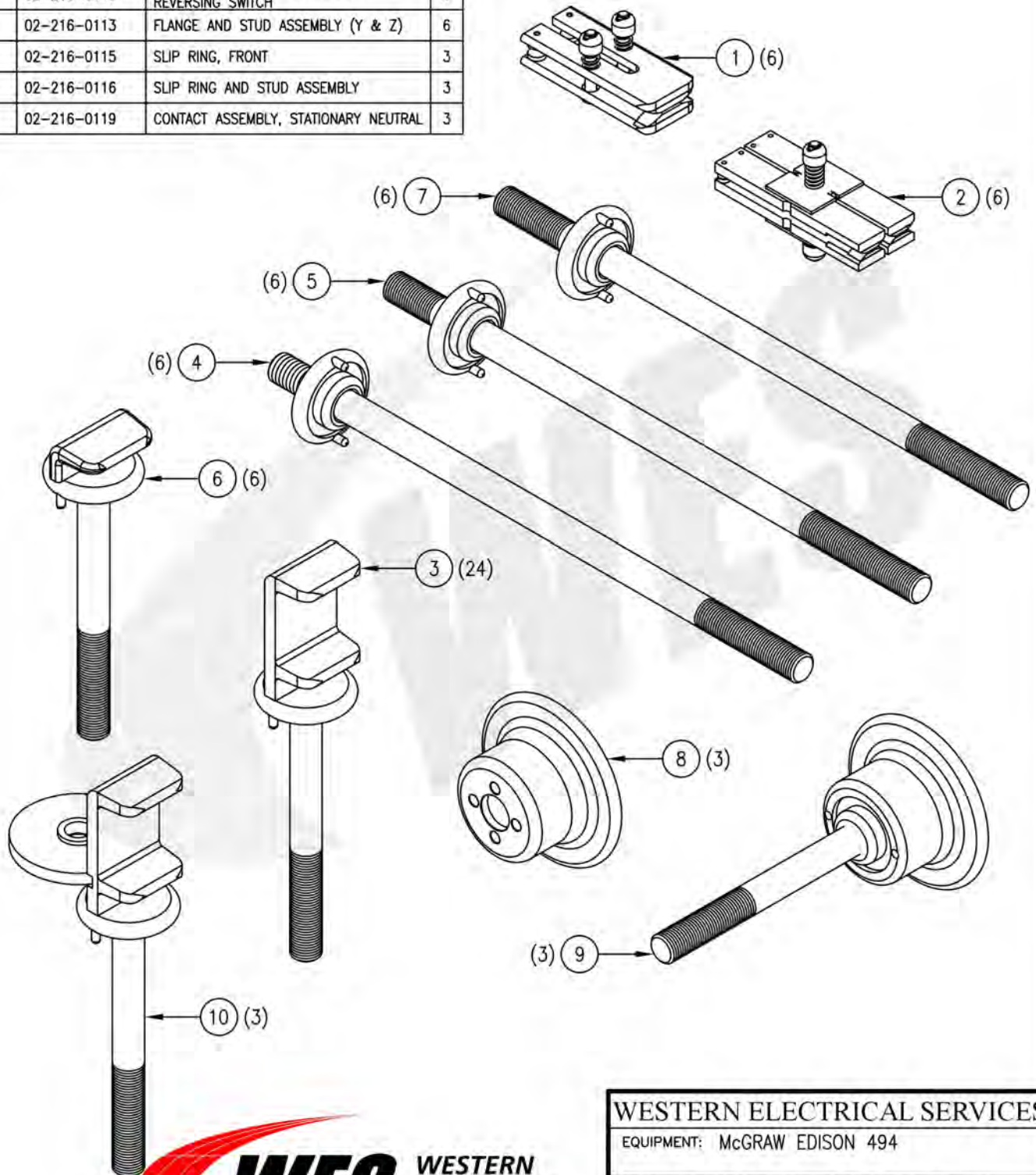
PARTS LIST			
ITEM NO.	PART NUMBER	DESCRIPTION	QTY
1	02-216-0002U	LOWER CONTACT KIT, TRANSFER SWITCH	6
2	02-216-0003U	ARCING CHAMBER TRANSFER SWITCH	6
3	02-216-0057U	CONTACT ASSEMBLY, MOVABLE	6
4	02-216-0069U	CONTACT ASSEMBLY, STATIONARY	6



WESTERN ELECTRICAL SERVICES	
EQUIPMENT: McGRAW EDISON 494	
TITLE: KIT, TRANSFER SWITCH	
DWG NO. 02-216-0000KU	REV: 0



PARTS LIST			
ITEM NO.	PART NUMBER	DESCRIPTION	QTY
1	02-216-0070	MAIN CONTACT FINGER ASSEMBLY WITH HARDWARE	6
2	02-216-0078	REVERSING SWITCH CONTACT FINGER ASSEMBLY WITH HARDWARE	3
3	02-216-0084	CONTACT ASSEMBLY, STATIONARY SELECTOR SWITCH	24
4	02-216-0096	FLANGE AND STUD ASSEMBLY (STEEL)	6
5	02-216-0107	FLANGE AND STUD ASSEMBLY (YY & ZZ)	6
6	02-216-0110	CONTACT ASSEMBLY, STATIONARY, REVERSING SWITCH	6
7	02-216-0113	FLANGE AND STUD ASSEMBLY (Y & Z)	6
8	02-216-0115	SLIP RING, FRONT	3
9	02-216-0116	SLIP RING AND STUD ASSEMBLY	3
10	02-216-0119	CONTACT ASSEMBLY, STATIONARY NEUTRAL	3



WESTERN ELECTRICAL SERVICES

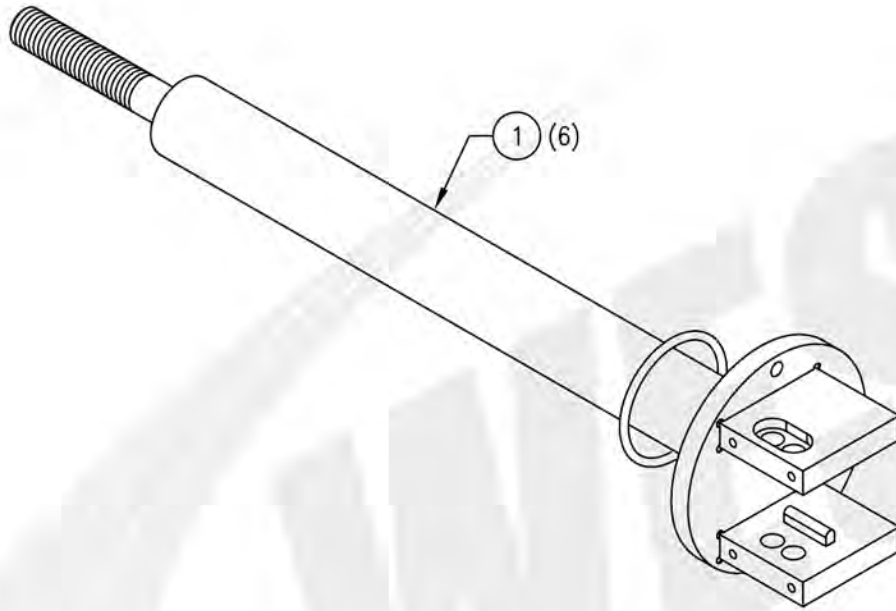
EQUIPMENT: MCGRAW EDISON 494

TITLE: KIT, SELECTOR & REVERSING SWITCH

DWG NO. 02-216-0001K

REV: 0

PARTS LIST			
ITEM NO.	PART NUMBER	DESCRIPTION	QTY
1	02-216-0001	LOWER BUSHING ROD ASSEMBLY TRANSFER SWITCH	6



WESTERN ELECTRICAL SERVICES

EQUIPMENT: MCGRAW EDISON 494

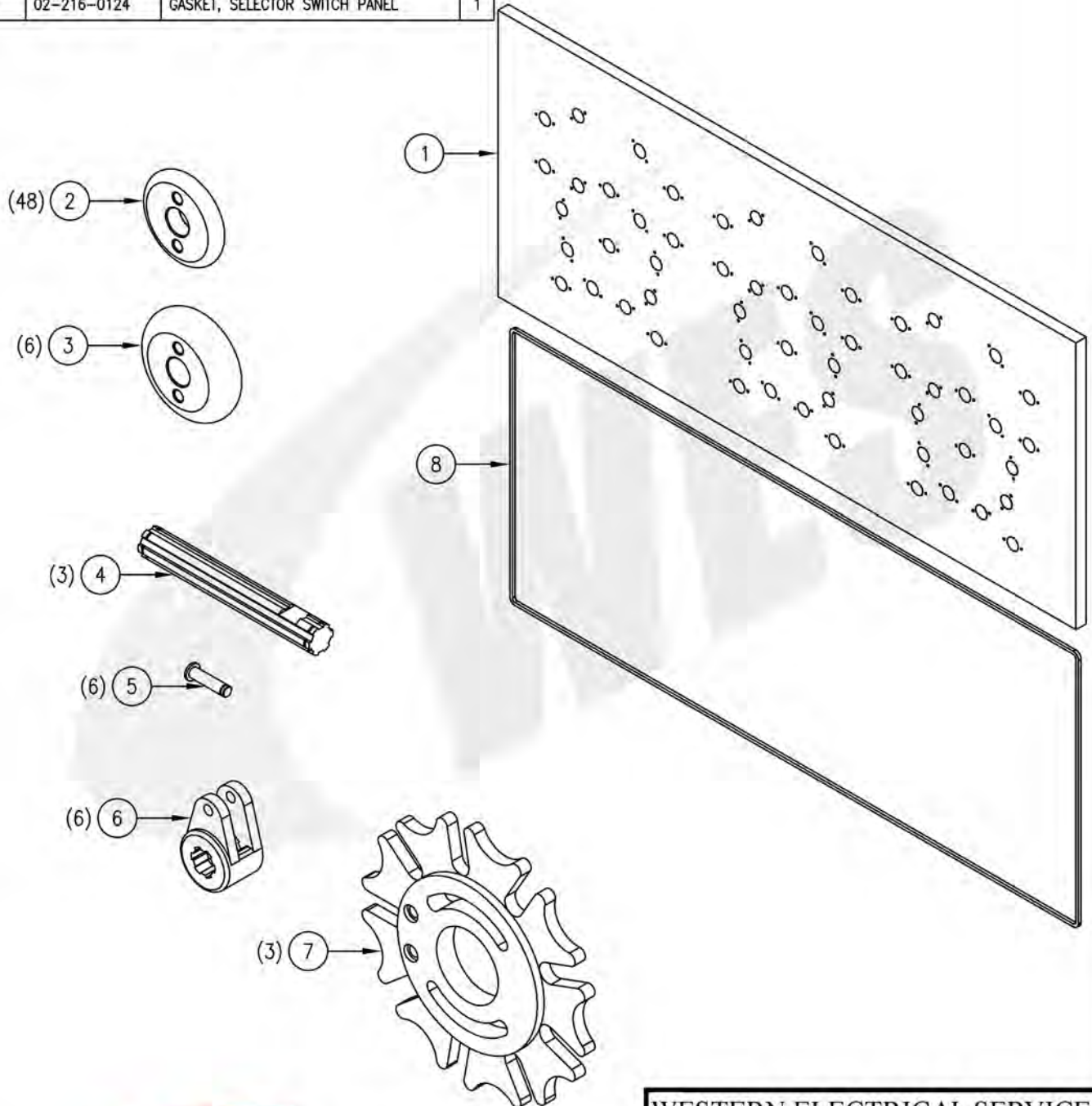
TITLE: NOT INCLUDED IN KIT

DWG NO. 02-216-0000K-2

REV: 0



PARTS LIST			
ITEM NO.	PART NUMBER	DESCRIPTION	QTY
1	02-216-0068	PANEL, SELECTOR SWITCH	1
2	02-216-0091	NUT, SPANNER	48
3	02-216-0095	NUT, SPANNER (STEEL)	6
4	02-216-0101	SHAFT, GENEVA PINION	3
5	02-216-0102	PIN, GENEVA PINION	6
6	02-216-0103	GENEVA PINION	6
7	02-216-0104	GENEVA GEAR	3
8	02-216-0124	GASKET, SELECTOR SWITCH PANEL	1



WESTERN ELECTRICAL SERVICES

EQUIPMENT: MCGRAW EDISON 494

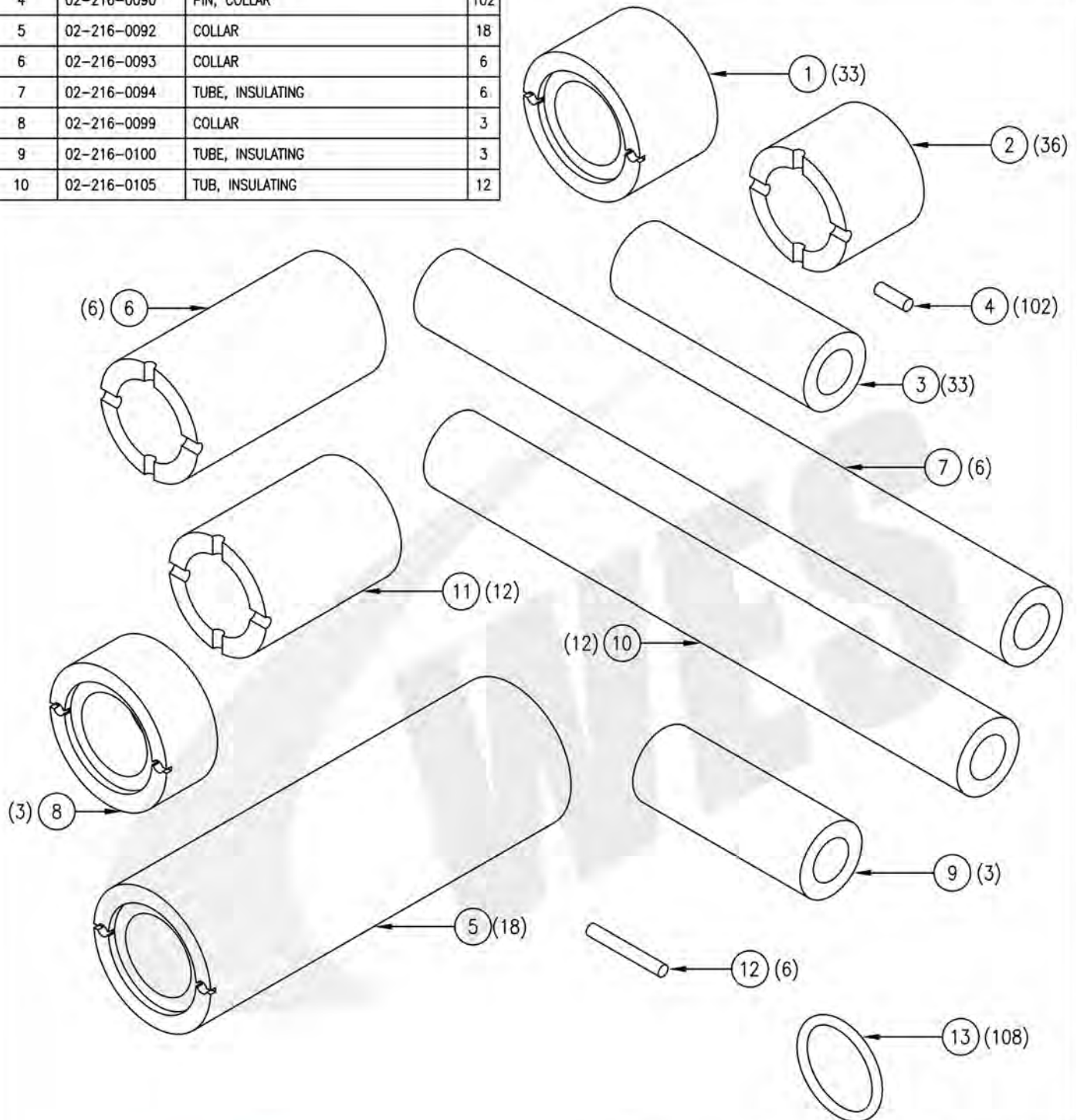
TITLE: NOT INCLUDED IN KIT

DWG NO. 02-216-0001K-2

REV: 0

PARTS LIST			
ITEM NO.	PART NUMBER	DESCRIPTION	QTY
1	02-216-0087	COLLAR	33
2	02-216-0088	COLLAR	36
3	02-216-0089	TUBE, INSULATING	33
4	02-216-0090	PIN, COLLAR	102
5	02-216-0092	COLLAR	18
6	02-216-0093	COLLAR	6
7	02-216-0094	TUBE, INSULATING	6
8	02-216-0099	COLLAR	3
9	02-216-0100	TUBE, INSULATING	3
10	02-216-0105	TUB, INSULATING	12

PARTS LIST			
ITEM NO.	PART NUMBER	DESCRIPTION	QTY
11	02-216-0106	COLLAR	12
12	02-216-0123	PIN, COLLAR, COLLECTOR RING	6
13	02-202-0040	O-RING	108



WESTERN ELECTRICAL SERVICES

EQUIPMENT: McGRAW EDISON 494

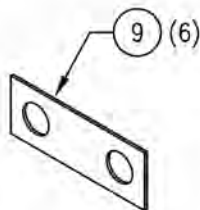
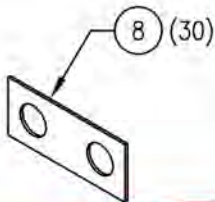
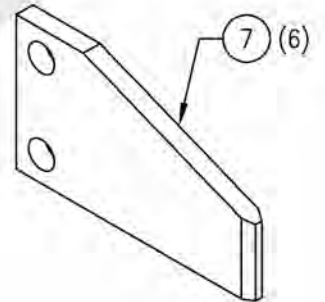
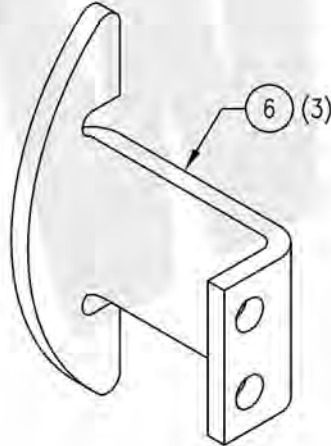
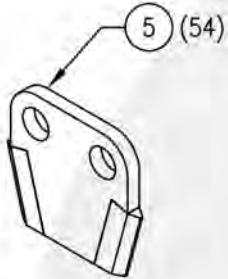
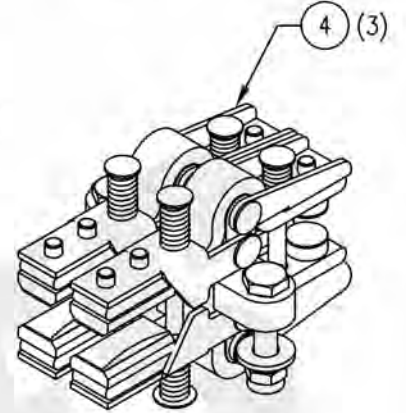
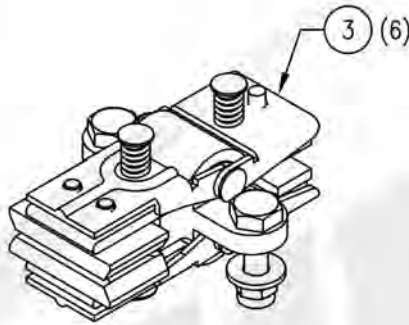
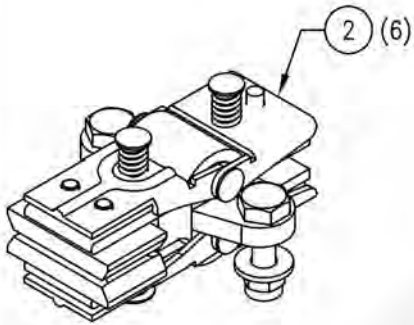
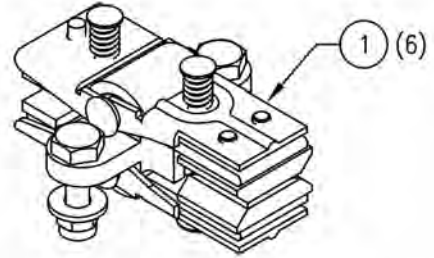
TITLE: SELECTOR & REVERSING SWITCH COLLAR KIT

DWG NO. 02-216-0002K

REV: 0



PARTS LIST			
ITEM NO.	PART NUMBER	DESCRIPTION	QTY
1	02-200-0001	CONTACT ASSEMBLY, MOVING, SELECTOR SWITCH (HIGH RECOVERY)	6
2	02-200-0013	CONTACT ASSEMBLY, MOVING, SELECTOR SWITCH (LOW RECOVERY NEW STYLE)	6
3	02-200-0016	CONTACT ASSEMBLY, MOVING, SELECTOR SWITCH (LOW RECOVERY)	6
4	02-200-0017	CONTACT ASSEMBLY, MOVING, REVERSING SWITCH	3
5	02-200-0026P	CONTACT, STATIONARY, SELECTOR SWITCH	54
6	02-200-0027P	CONTACT, STATIONARY, NEUTRAL, REVERSING SWITCH	3
7	02-200-0028P	CONTACT, STATIONARY, L.H./R.H., REVERSING SWITCH	6
8	02-200-0029T	TAB, LOCKING, SELECTOR SWITCH	30
9	02-200-0030T	TAB, LOCKING, REVERSING SWITCH	6



WESTERN ELECTRICAL SERVICES

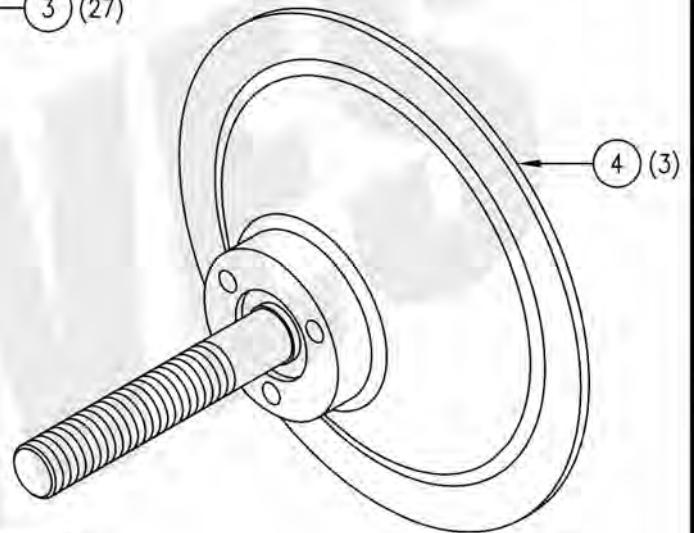
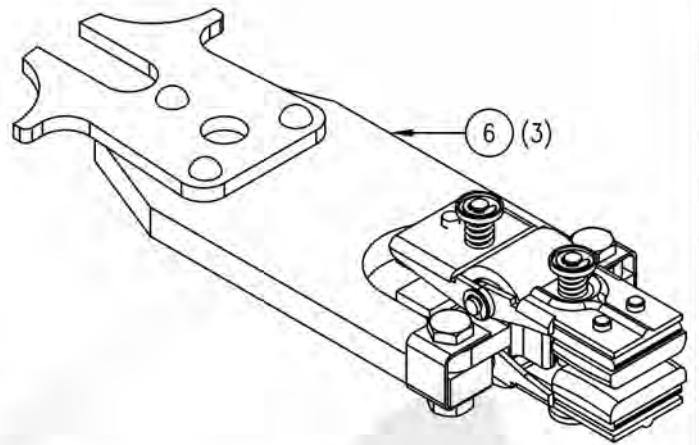
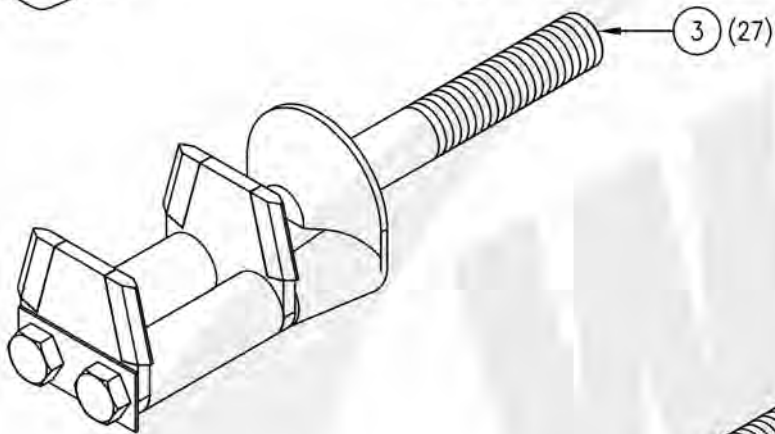
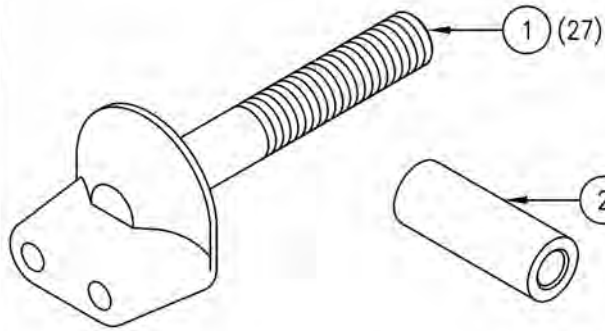
EQUIPMENT: McGRAW EDISON 550

TITLE: CONTACT KIT, UNIVERSAL

DWG NO. 02-200-0000K

REV: 0

PARTS LIST			
ITEM NO.	PART NUMBER	DESCRIPTION	QTY
1	02-200-0043	STUD, CONTACT, SELECTOR SWITCH	27
2	02-200-0046	SPACER, CONTACT, SELECTOR SWITCH	54
3	02-200-0047	CONTACT STUD ASSEMBLY, STATIONARY, SELECTOR SWITCH	27
4	02-200-0048	COLLECTOR RING, REAR	3
5	02-200-0060	GASKET, DOOR	1
6	02-200-0074	SUPPORT ARM & SELECTOR SWITCH ASSEMBLY (OLD STYLE)	3



WESTERN ELECTRICAL SERVICES

EQUIPMENT: MCGRAW EDISON 550

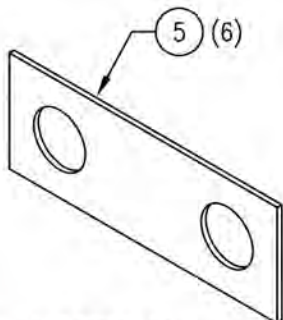
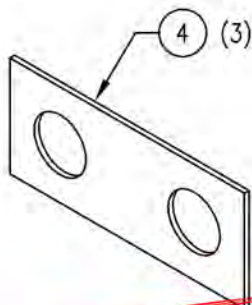
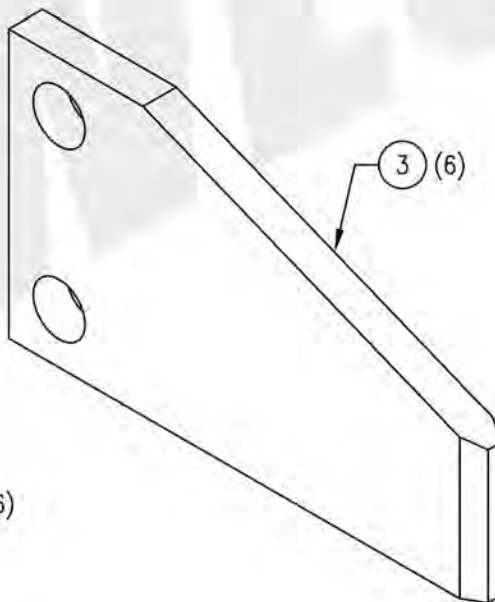
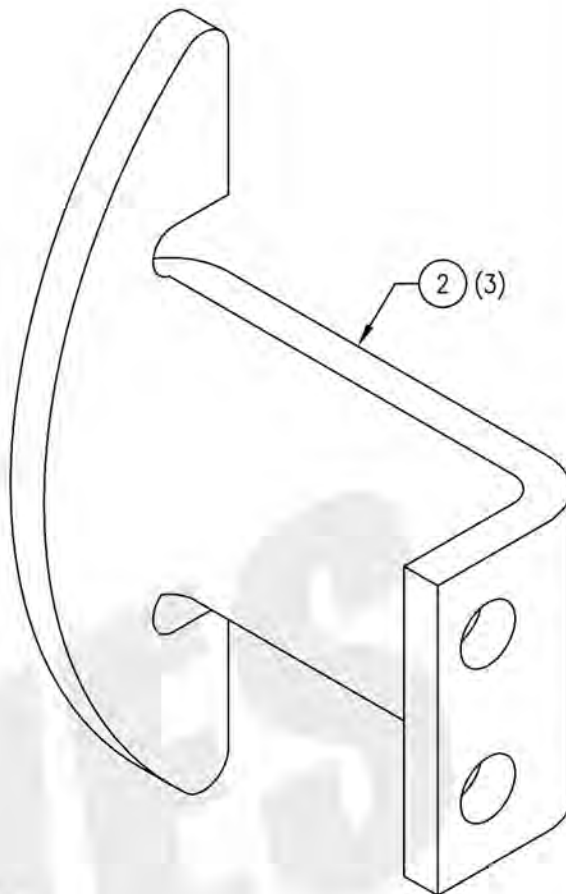
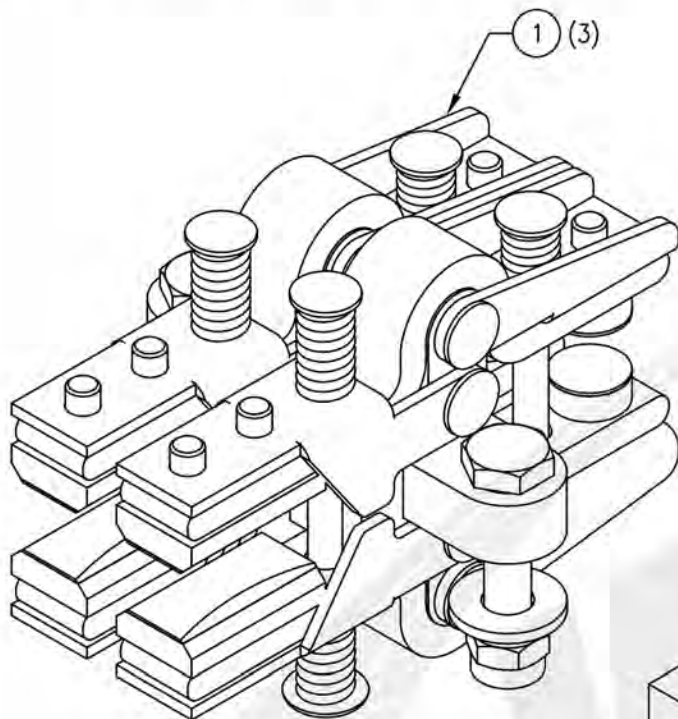
TITLE: NOT INCLUDED IN KIT

DWG NO. 02-200-0000K-2

REV: 2



PARTS LIST			
ITEM NO.	PART NUMBER	DESCRIPTION	QTY
1	02-200-0017	CONTACT ASSEMBLY, MOVING, REVERSING SWITCH	3
2	02-200-0027P	CONTACT, STATIONARY, NEUTRAL, REVERSING SWITCH	3
3	02-200-0028P	CONTACT, STATIONARY. L.H./R.H., REVERSING SWITCH	6
4	02-200-0029T	TAB, LOCKING, SELECTOR SWITCH	3
5	02-200-0030T	TAB, LOCKING, REVERSING SWITCH	6



OEM PART NO. BZ0308920



**WESTERN  
ELECTRICAL  
SERVICES, INC.**

**WESTERN ELECTRICAL SERVICES**

EQUIPMENT: McGRAW EDISON 550

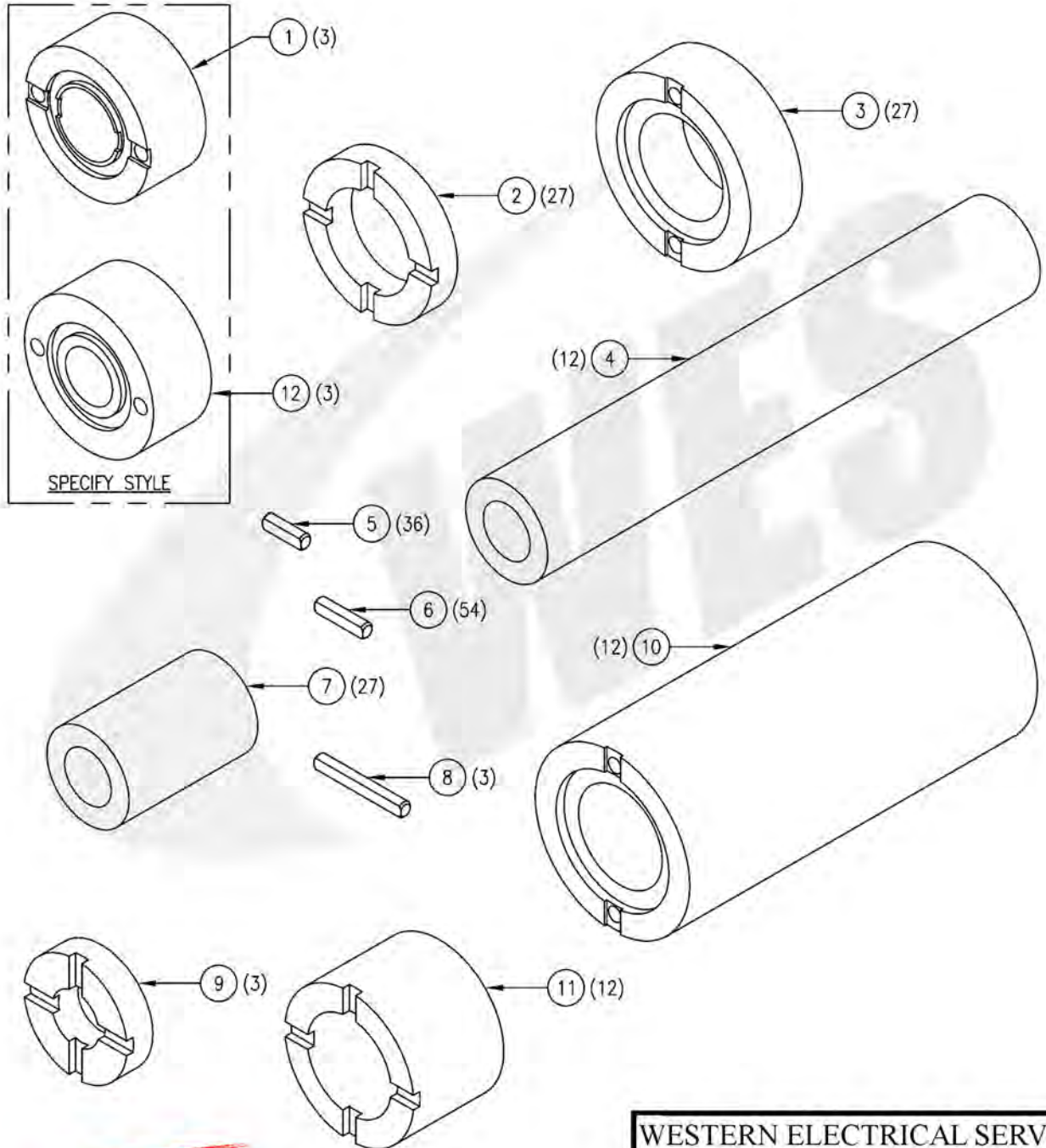
TITLE: CONTACT KIT, REVERSING SWITCH

DWG NO. 02-200-0007K

REV: 0

PARTS LIST			
ITEM NO.	PART NUMBER	DESCRIPTION	QTY
1	02-201-0065	COLLAR, FRONT (NEW STYLE)	3
2	02-201-0066	COLLAR, STAND-OFF, BACK	27
3	02-201-0067	COLLAR, STAND-OFF, FRONT	27
4	02-201-0068	TUBE, INSULATING	12
5	02-201-0069	PIN, FIBER	36
6	02-201-0070	PIN, FIBER	54

PARTS LIST			
ITEM NO.	PART NUMBER	DESCRIPTION	QTY
7	02-201-0071	TUBE, INSULATING	27
8	02-201-0072	PIN, FIBER	6
9	02-201-0073	COLLAR, BACK	3
10	02-201-0074	COLLAR, FRONT	12
11	02-201-0075	COLLAR, BACK	12
12	02-201-0076	COLLAR, FRONT (OLD STYLE)	3



WESTERN ELECTRICAL SERVICES

EQUIPMENT: MCGRAW EDISON 550B

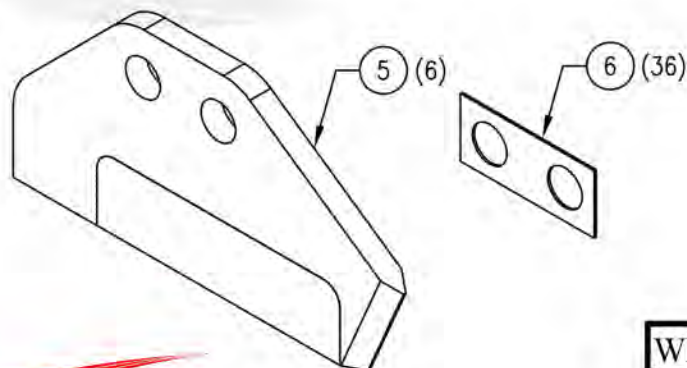
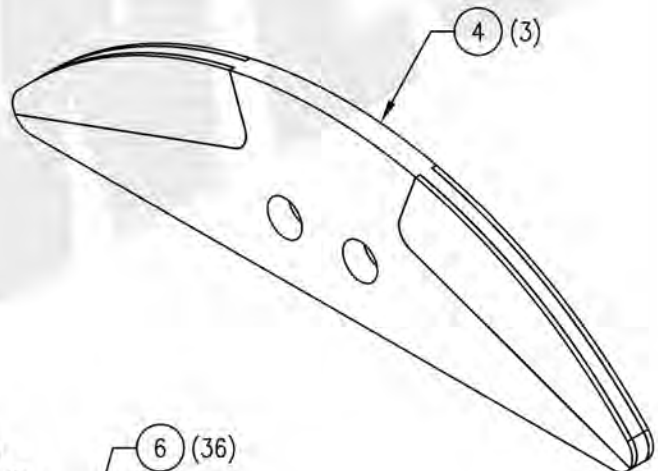
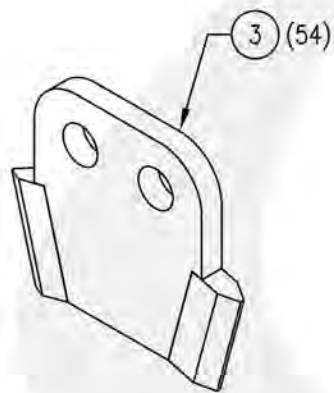
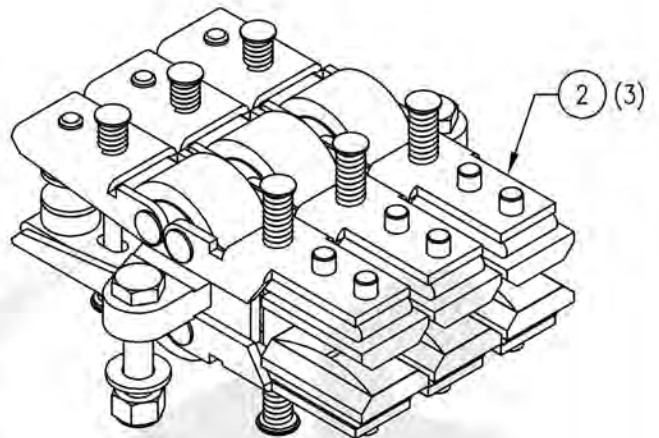
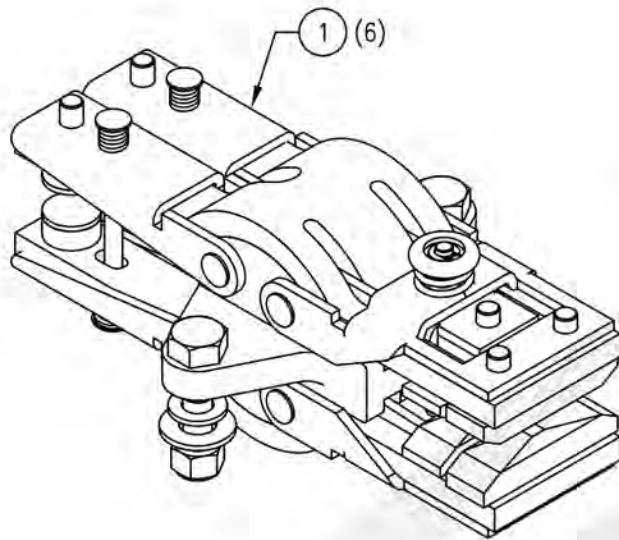
TITLE: KIT, INSULATING COLLAR

DWG NO. 02-201-0006K

REV: 0



PARTS LIST			
ITEM NO.	PART NUMBER	DESCRIPTION	QTY
1	02-202-0001	CONTACT ASSEMBLY, MOVING, SELECTOR SWITCH	6
2	02-202-0015U	CONTACT ASSEMBLY, MOVING, REVERSING SWITCH	3
3	02-202-0017P	CONTACT, STATIONARY, SELECTOR SWITCH	54
4	02-202-0018U	CONTACT, STATIONARY, NEUTRAL, REVERSING SWITCH	3
5	02-202-0019U	CONTACT, STATIONARY, L.H./R.H., REVERSING SWITCH	6
6	02-201-0024T	TAB, LOCKING, SELECTOR SWITCH	36



WESTERN ELECTRICAL SERVICES

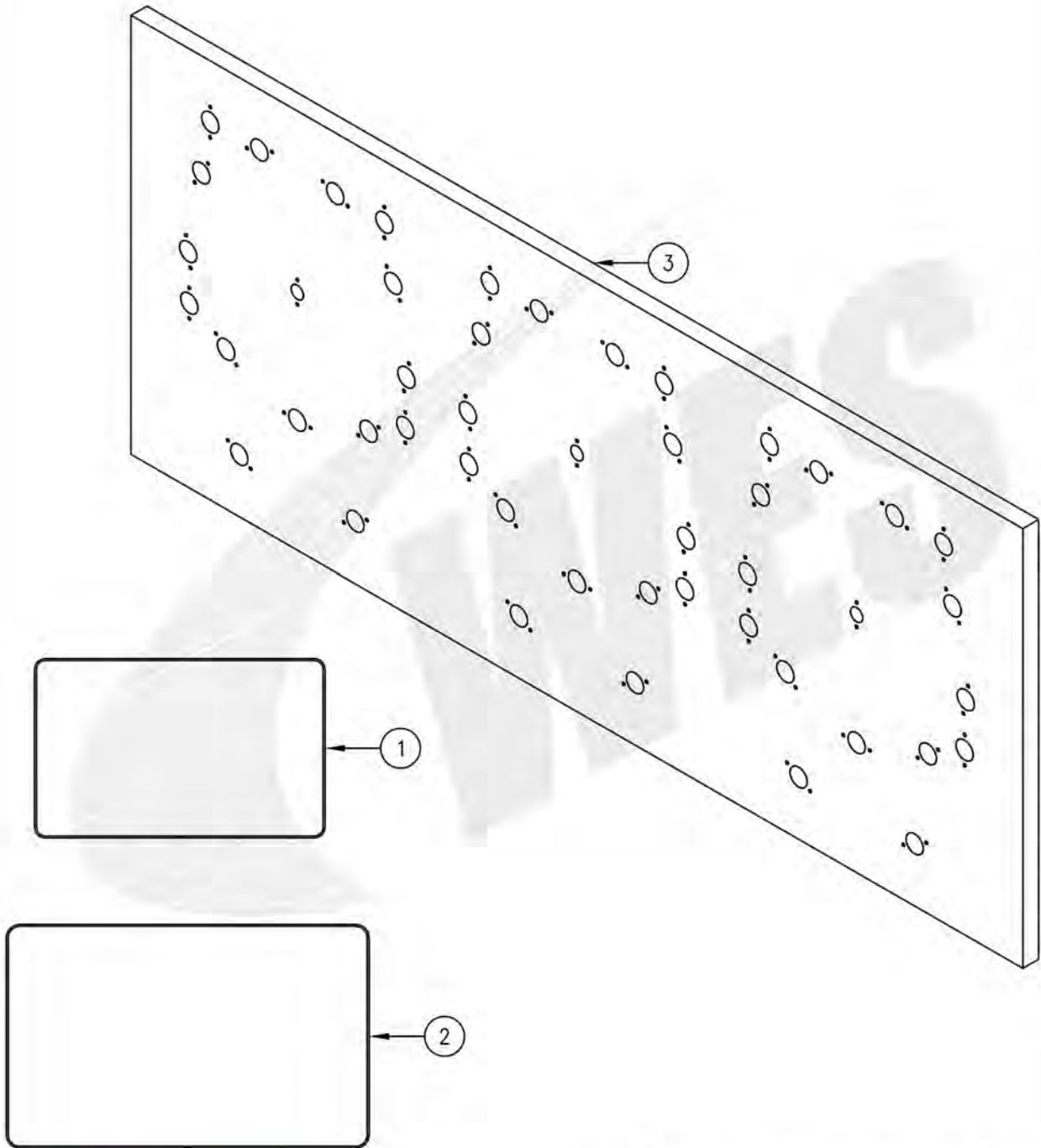
EQUIPMENT: MCGRAW EDISON 550C

TITLE: CONTACT KIT, COMPLETE

DWG NO. 02-202-0000KU

REV: 0

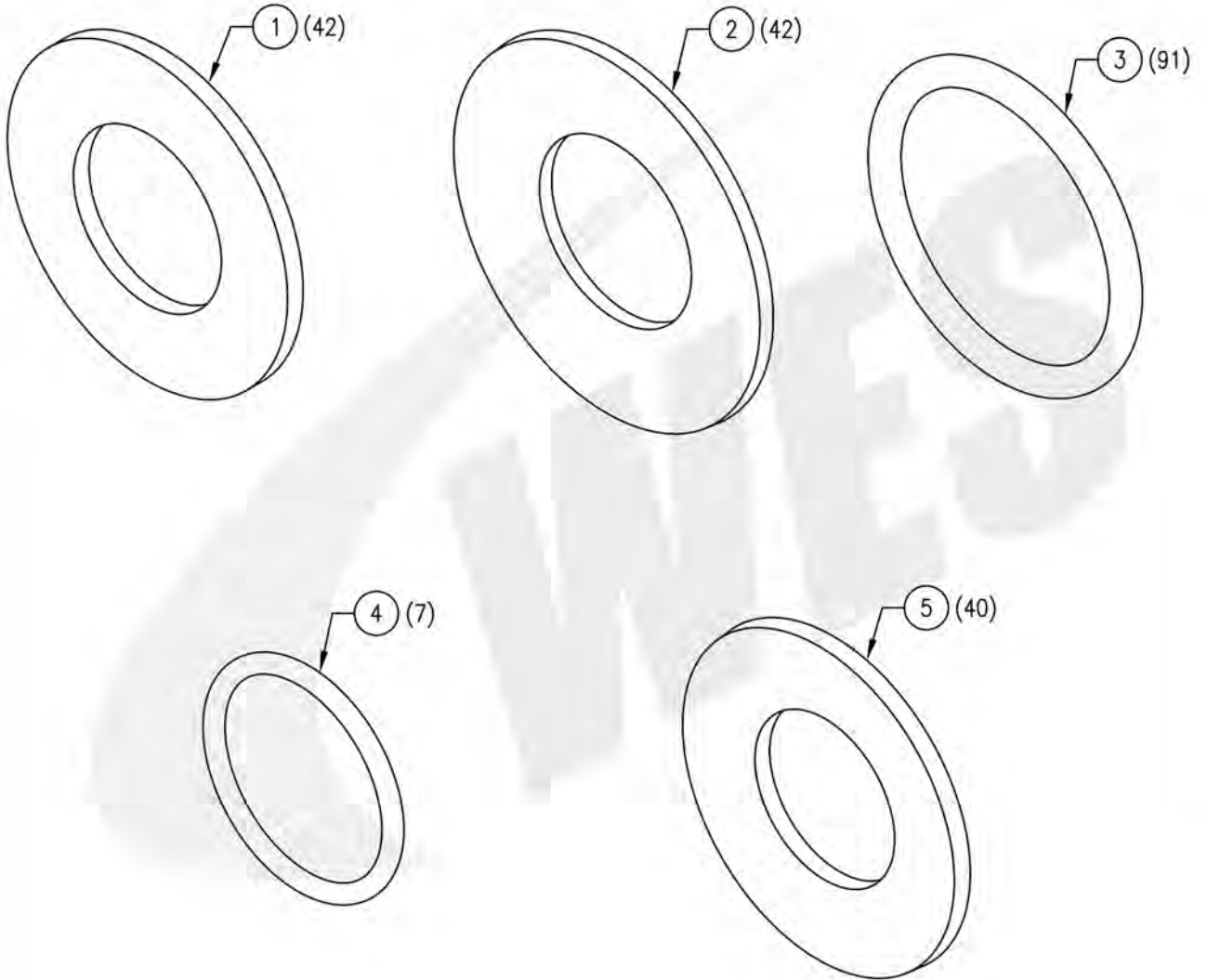
PARTS LIST			
ITEM NO.	PART NUMBER	DESCRIPTION	QTY
1	02-202-0056	GASKET, DOOR	1
2	02-202-0057	GASKET, PANEL	1
3	02-202-0030	BARRIER BOARD	1



WESTERN ELECTRICAL SERVICES	
EQUIPMENT: MCGRAW EDISON 550C	
TITLE: NOT INCLUDED IN KIT	
DWG NO. 02-202-0000K-2	REV: 1



PARTS LIST			
ITEM NO.	PART NUMBER	DESCRIPTION	QTY
1	02-202-0038T	WASHER, FLAT	42
2	02-202-0039T	WASHER, BELLEVILLE	42
3	02-202-0040	O-RING, LARGE	91
4	02-202-0041	O-RING, SMALL	7
5	02-202-0042T	WASHER, BELLEVILLE	40



WESTERN ELECTRICAL SERVICES

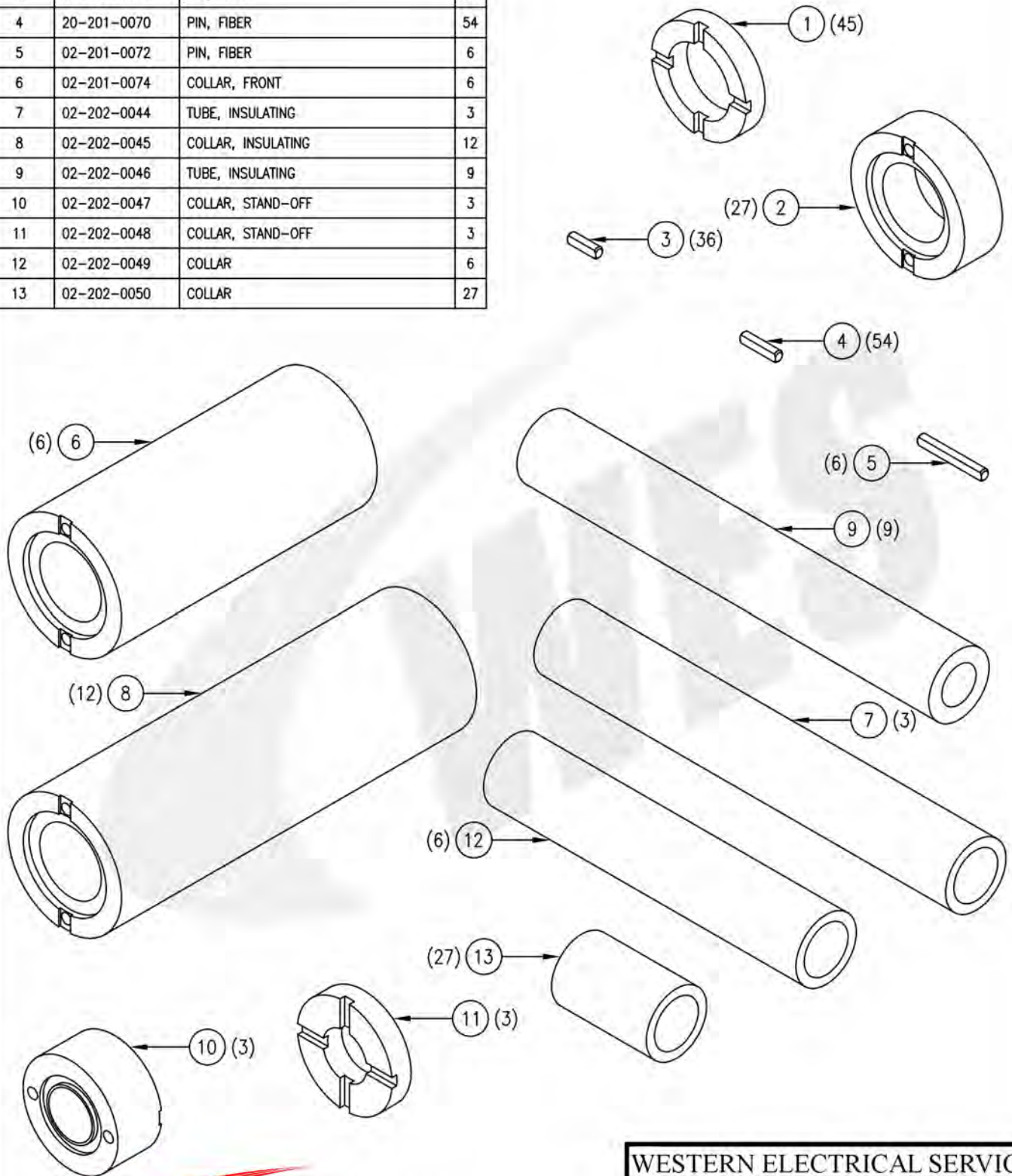
EQUIPMENT: McGRAW EDISON 550C

TITLE: KIT, O-RING & WASHER

DWG NO. 02-202-0003K

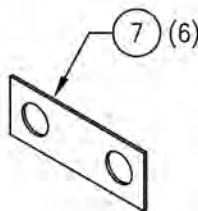
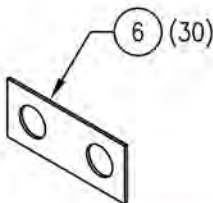
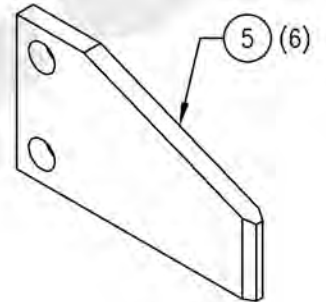
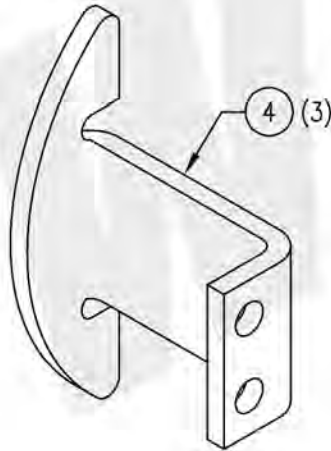
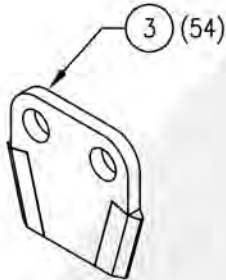
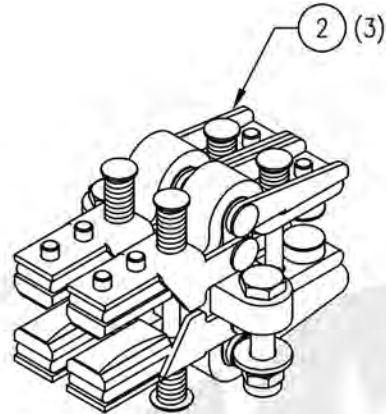
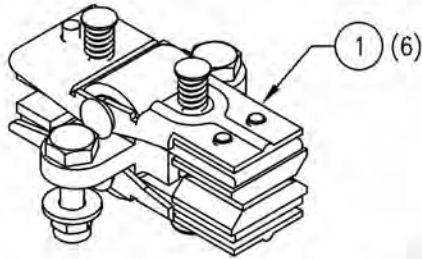
REV: 0

PARTS LIST			
ITEM NO.	PART NUMBER	DESCRIPTION	QTY
1	02-201-0066	COLLAR, STAND-OFF, BACK	45
2	02-201-0067	COLLAR, STAND-OFF, FRONT	27
3	02-201-0069	PIN, FIBER	36
4	20-201-0070	PIN, FIBER	54
5	02-201-0072	PIN, FIBER	6
6	02-201-0074	COLLAR, FRONT	6
7	02-202-0044	TUBE, INSULATING	3
8	02-202-0045	COLLAR, INSULATING	12
9	02-202-0046	TUBE, INSULATING	9
10	02-202-0047	COLLAR, STAND-OFF	3
11	02-202-0048	COLLAR, STAND-OFF	3
12	02-202-0049	COLLAR	6
13	02-202-0050	COLLAR	27



WESTERN ELECTRICAL SERVICES	
EQUIPMENT: McGRAW EDISON 550C	
TITLE: KIT, INSULATING COLLAR	
DWG NO. 02-202-0004K	REV: 0

PARTS LIST			
ITEM NO.	PART NUMBER	DESCRIPTION	QTY
1	02-200-0001	CONTACT ASSEMBLY, MOVING, SELECTOR SWITCH (HIGH RECOVERY)	6
2	02-200-0017	CONTACT ASSEMBLY, MOVING, REVERSING SWITCH	3
3	02-200-0026P	CONTACT, STATIONARY, SELECTOR SWITCH	54
4	02-200-0027P	CONTACT, STATIONARY, NEUTRAL, REVERSING SWITCH	3
5	02-200-0028P	CONTACT, STATIONARY, L.H./R.H., REVERSING SWITCH	6
6	02-200-0029T	TAB, LOCKING, SELECTOR SWITCH	30
7	02-200-0030T	TAB, LOCKING, REVERSING SWITCH	6



WESTERN ELECTRICAL SERVICES

EQUIPMENT: McGRAW EDISON 550H

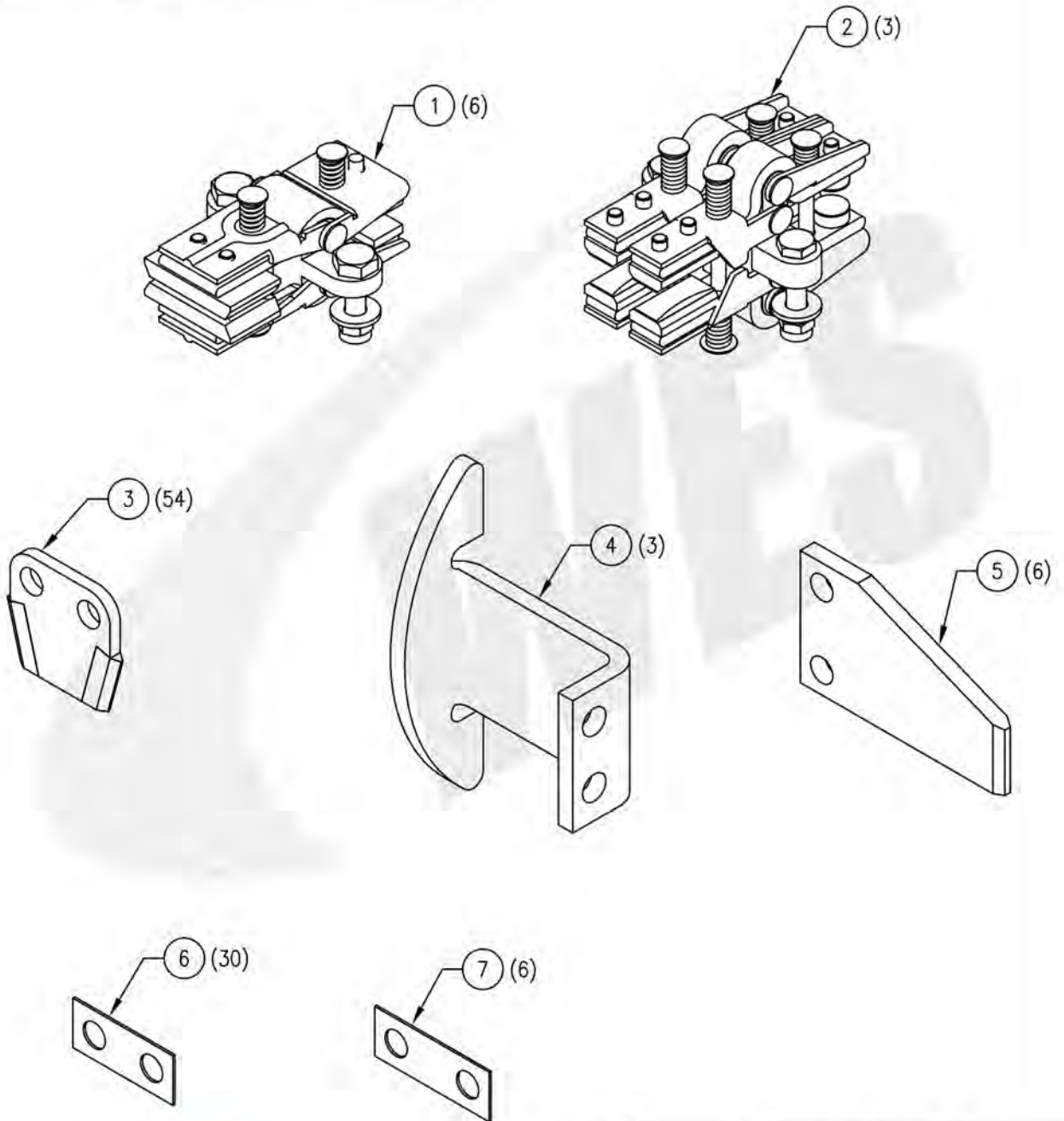
TITLE: CONTACT KIT, COMPLETE

DWG NO. 02-200-0001K

REV: 0



PARTS LIST			
ITEM NO.	PART NUMBER	DESCRIPTION	QTY
1	02-200-0016	CONTACT ASSEMBLY, MOVING, SELECTOR SWITCH (LOW RECOVERY)	6
2	02-200-0017	CONTACT ASSEMBLY, MOVING, REVERSING SWITCH	3
3	02-200-0026P	CONTACT, STATIONARY, SELECTOR SWITCH	54
4	02-200-0027P	CONTACT, STATIONARY, NEUTRAL, REVERSING SWITCH	3
5	02-200-0028P	CONTACT, STATIONARY, L.H./R.H., REVERSING SWITCH	6
6	02-200-0029T	TAB, LOCKING, SELECTOR SWITCH	30
7	02-200-0030T	TAB, LOCKING, REVERSING SWITCH	6



WESTERN ELECTRICAL SERVICES

EQUIPMENT: MCGRAW EDISON 550L

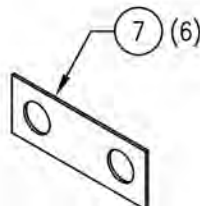
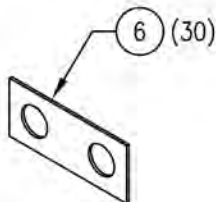
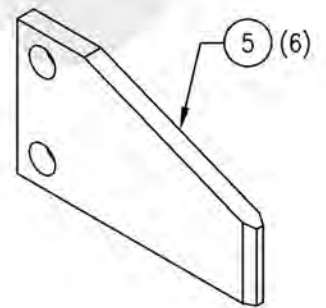
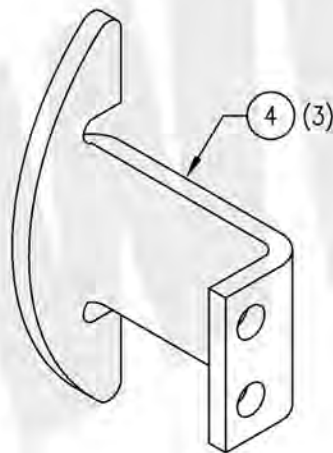
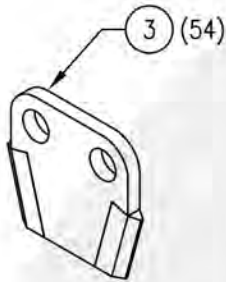
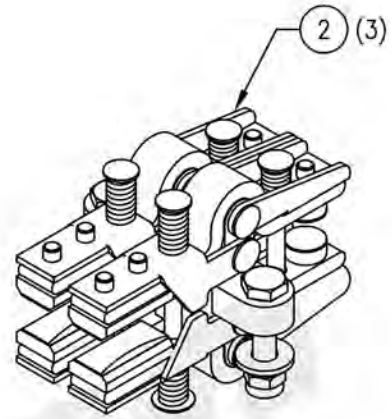
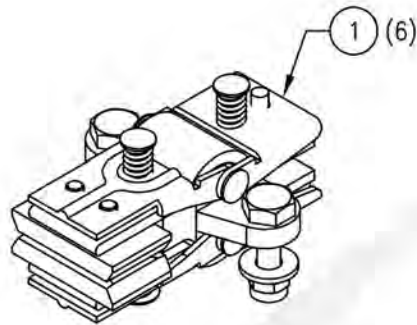
TITLE: CONTACT KIT, COMPLETE

DWG NO. 02-200-0002K

REV: 0



PARTS LIST			
ITEM NO.	PART NUMBER	DESCRIPTION	QTY
1	02-200-0013	CONTACT ASSEMBLY, MOVING, SELECTOR SWITCH (LOW RECOVERY NEW STYLE)	6
2	02-200-0017	CONTACT ASSEMBLY, MOVING, REVERSING SWITCH	3
3	02-200-0026P	CONTACT, STATIONARY, SELECTOR SWITCH	54
4	02-200-0027P	CONTACT, STATIONARY, NEUTRAL, REVERSING SWITCH	3
5	02-200-0028P	CONTACT, STATIONARY, L.H./R.H., REVERSING SWITCH	6
6	02-200-0029T	TAB, LOCKING, SELECTOR SWITCH	30
7	02-200-0030T	TAB, LOCKING, REVERSING SWITCH	6



WESTERN ELECTRICAL SERVICES

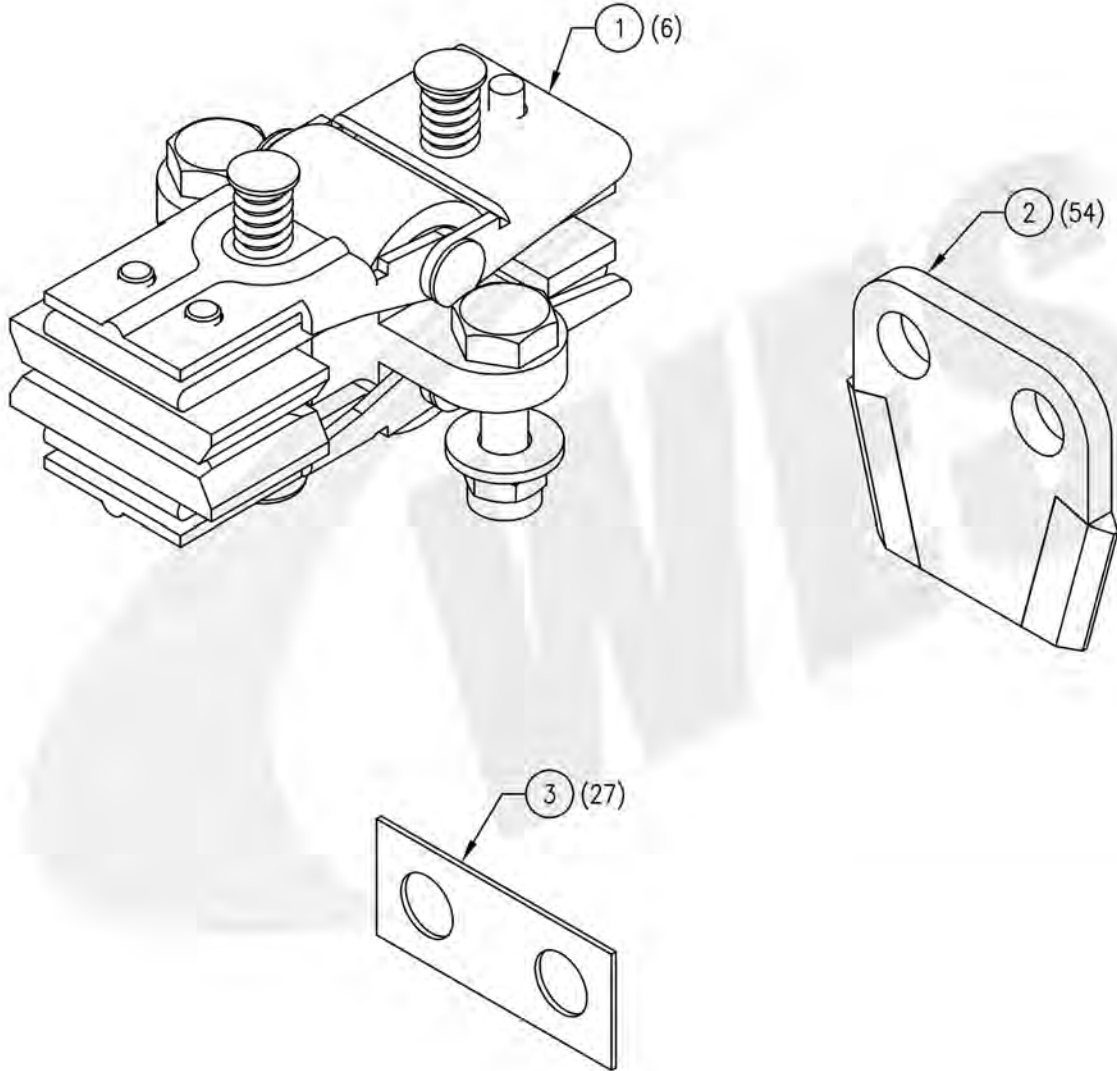
EQUIPMENT: MCGRAW EDISON 550L

TITLE: CONTACT KIT, COMPLETE (NEW STYLE  
SELECTOR SWITCH CONTACTS)

DWG NO. 02-200-0003K

REV: 0

PARTS LIST			
ITEM NO.	PART NUMBER	DESCRIPTION	QTY
1	02-200-0016	CONTACT ASSEMBLY, MOVING, SELECTOR SWITCH (LOW RECOVERY)	6
2	02-200-0026P	CONTACT, STATIONARY, SELECTOR SWITCH	54
3	02-200-0029T	TAB, LOCKING, SELECTOR SWITCH	27



OEM PART NO. AZ0353415



WESTERN ELECTRICAL SERVICES

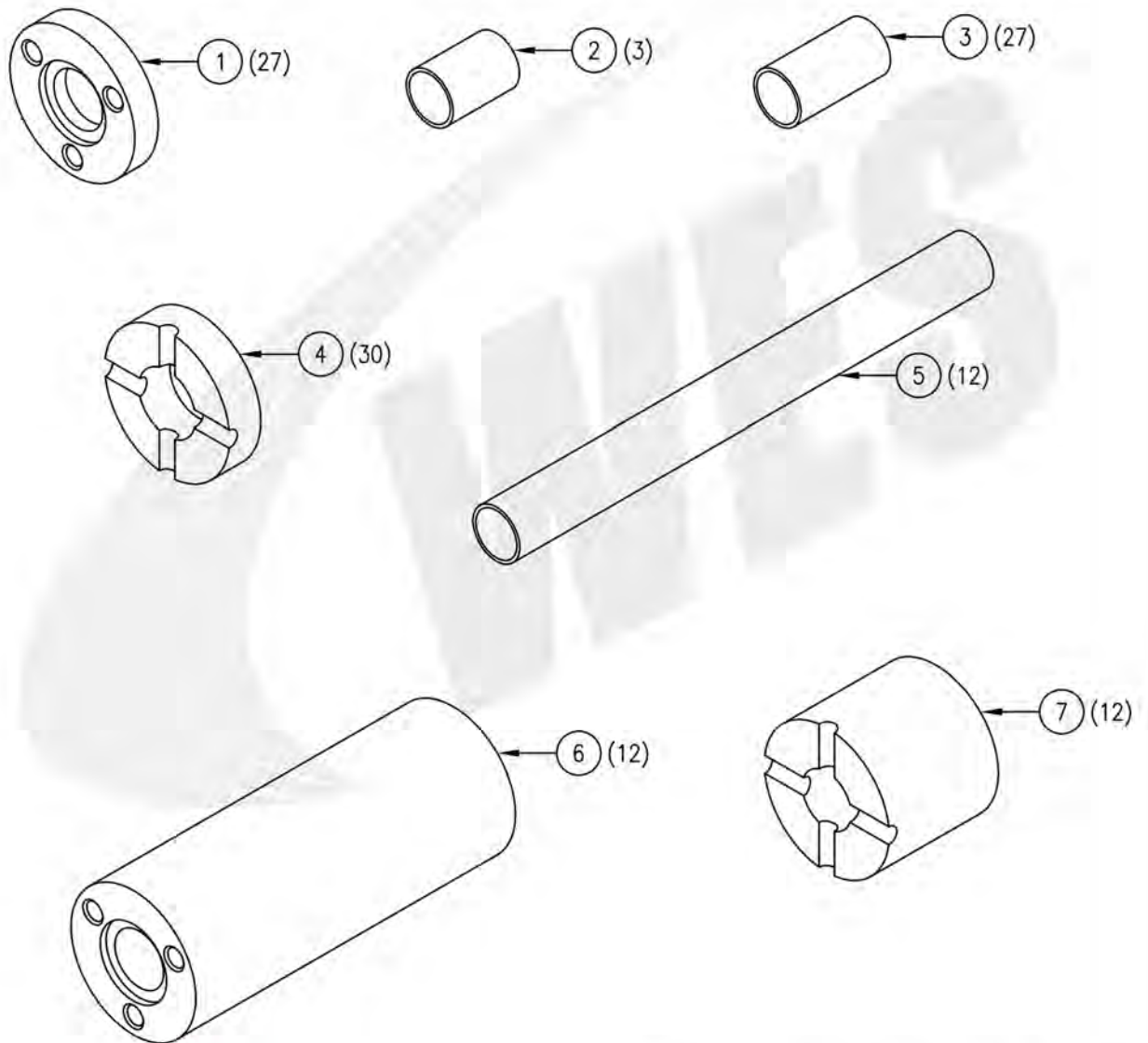
EQUIPMENT: MCGRAW EDISON 550L

TITLE: CONTACT KIT, SELECTOR SWITCH

DWG NO. 02-200-0008K

REV: 0

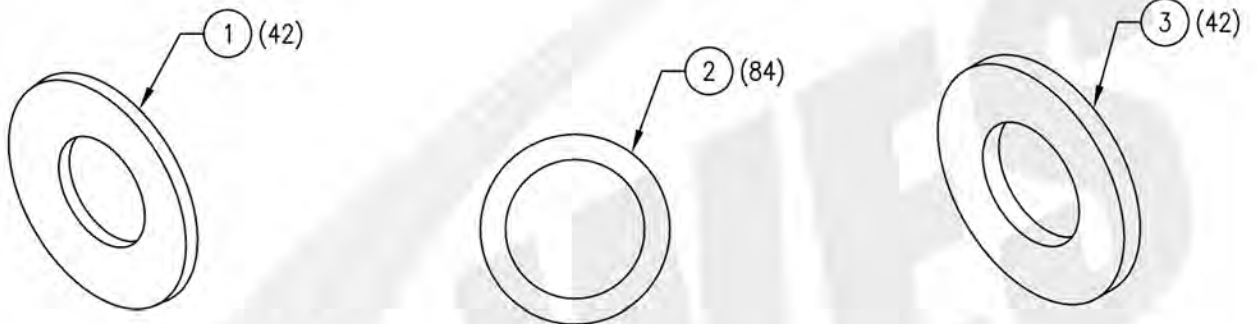
PARTS LIST			
ITEM NO.	PART NUMBER	DESCRIPTION	QTY
1	02-200-0052	COLLAR, FRONT	27
2	02-200-0053	TUBE, INSULATING	3
3	02-200-0054	TUBE, INSULATING	27
4	02-200-0055	COLLAR, BACK	30
5	02-200-0056	TUBE, INSULATING	12
6	02-200-0057	COLLAR, STAND-OFF	12
7	02-200-0058	COLLAR, STAND-OFF	12



WESTERN ELECTRICAL SERVICES	
EQUIPMENT: MCGRAW EDISON 550L/H	
TITLE: KIT, COLLAR	
DWG NO. 02-200-0005K	REV: 0



PARTS LIST			
ITEM NO.	PART NUMBER	DESCRIPTION	QTY
1	02-200-0040T	WASHER, BELLEVILLE	42
2	02-200-0041	O-RING	84
3	02-200-0042T	WASHER, FLAT	42



WESTERN ELECTRICAL SERVICES

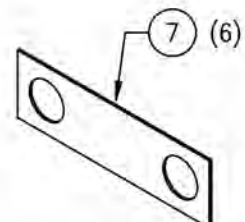
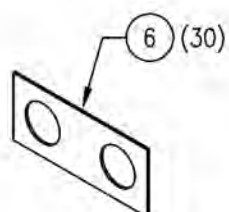
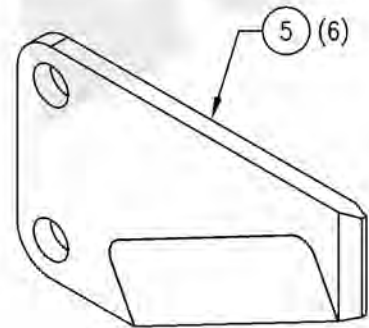
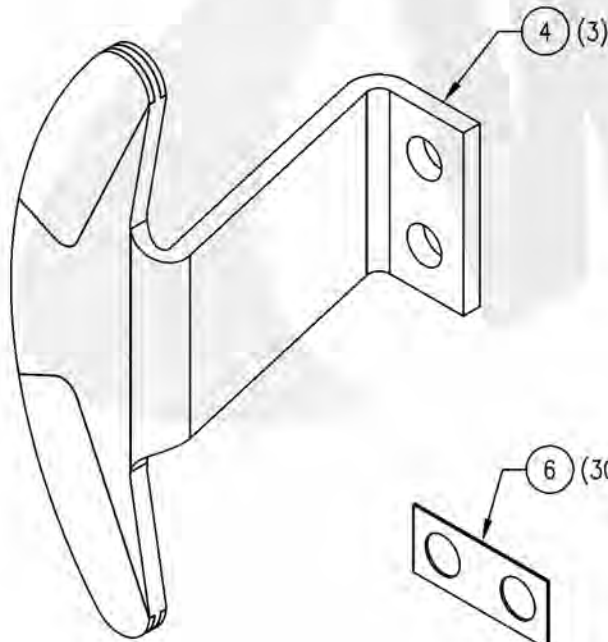
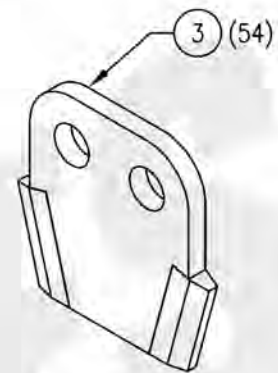
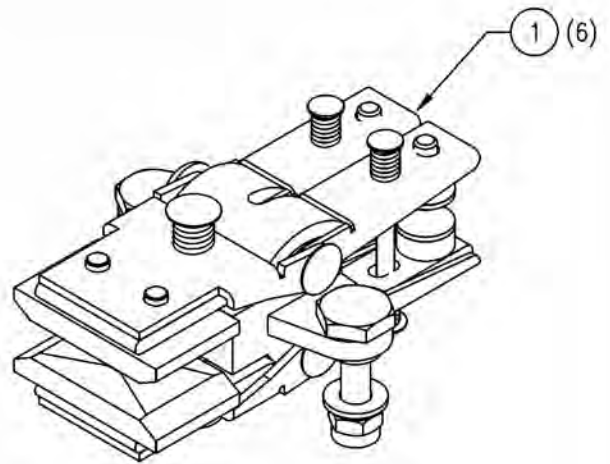
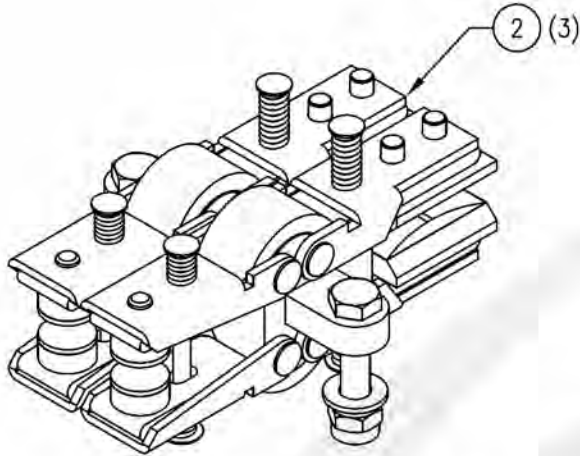
EQUIPMENT: MCGRAW EDISON 550L/H

TITLE: KIT, O-RING & BELLEVILLE WASHER

DWG NO. 02-200-0006K

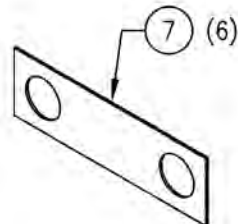
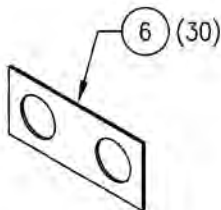
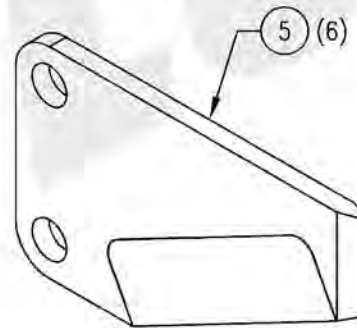
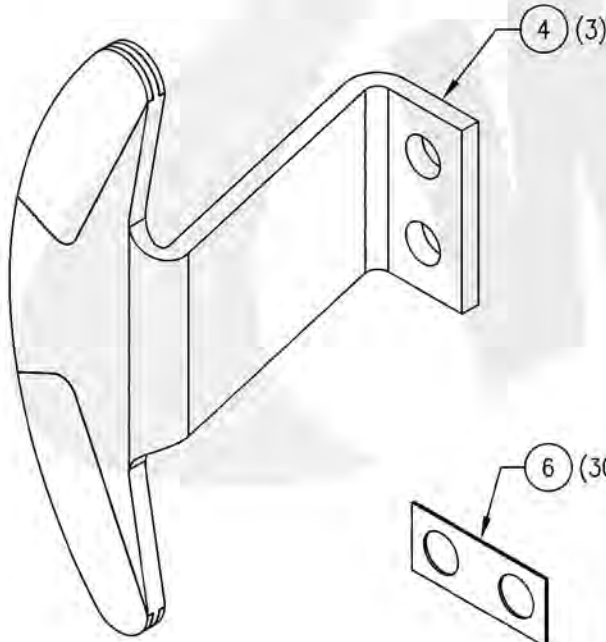
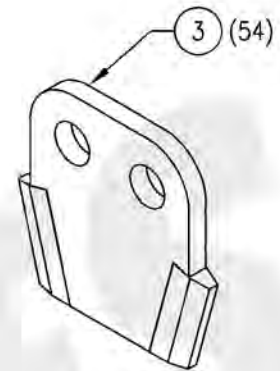
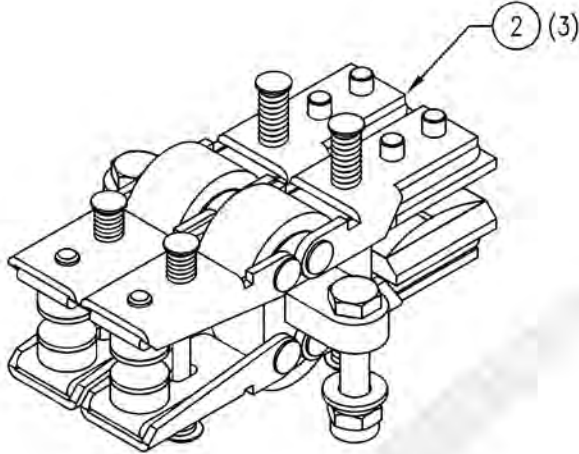
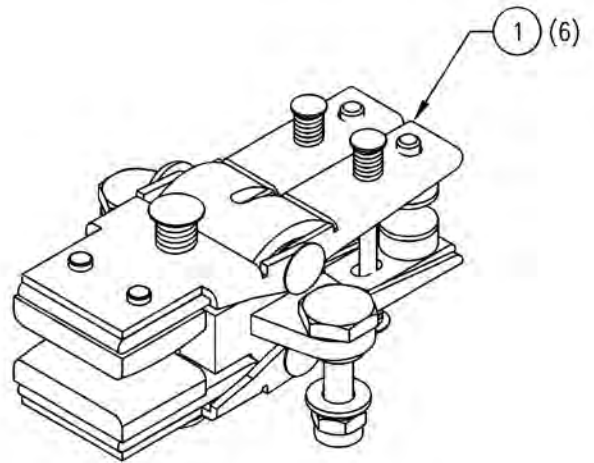
REV: 0

PARTS LIST			
ITEM NO.	PART NUMBER	DESCRIPTION	QTY
1	02-201-0001	CONTACT ASSEMBLY, MOVING, SELECTOR SWITCH	6
2	02-201-0012U	CONTACT ASSEMBLY, MOVING, REVERSING SWITCH	3
3	02-201-0021P	CONTACT, STATIONARY, SELECTOR SWITCH	54
4	02-201-0022U	CONTACT, STATIONARY, NEUTRAL, REVERSING SWITCH	3
5	02-201-0023U	CONTACT, STATIONARY, L.H./R.H., REVERSING SWITCH	6
6	02-201-0024T	TAB, LOCKING, SELECTOR SWITCH	30
7	02-201-0025T	TAB, LOCKING, REVERSING SWITCH	6



<b>WESTERN ELECTRICAL SERVICES</b>	
EQUIPMENT: MCGRAW EDISON 550BLS	
TITLE: CONTACT KIT, COMPLETE	
DWG NO. 02-201-0000KU	REV: 0

PARTS LIST			
ITEM NO.	PART NUMBER	DESCRIPTION	QTY
1	02-201-0011	CONTACT ASSEMBLY, MOVING, SELECTOR SWITCH	6
2	02-201-0012U	CONTACT ASSEMBLY, MOVING, REVERSING SWITCH	3
3	02-201-0021P	CONTACT, STATIONARY, SELECTOR SWITCH	54
4	02-201-0022U	CONTACT, STATIONARY, NEUTRAL, REVERSING SWITCH	3
5	02-201-0023U	CONTACT, STATIONARY, L.H./R.H., REVERSING SWITCH	6
6	02-201-0024T	TAB, LOCKING, SELECTOR SWITCH	30
7	02-201-0025T	TAB, LOCKING, REVERSING SWITCH	6



WESTERN ELECTRICAL SERVICES

EQUIPMENT: MCGRAW EDISON 550BLS

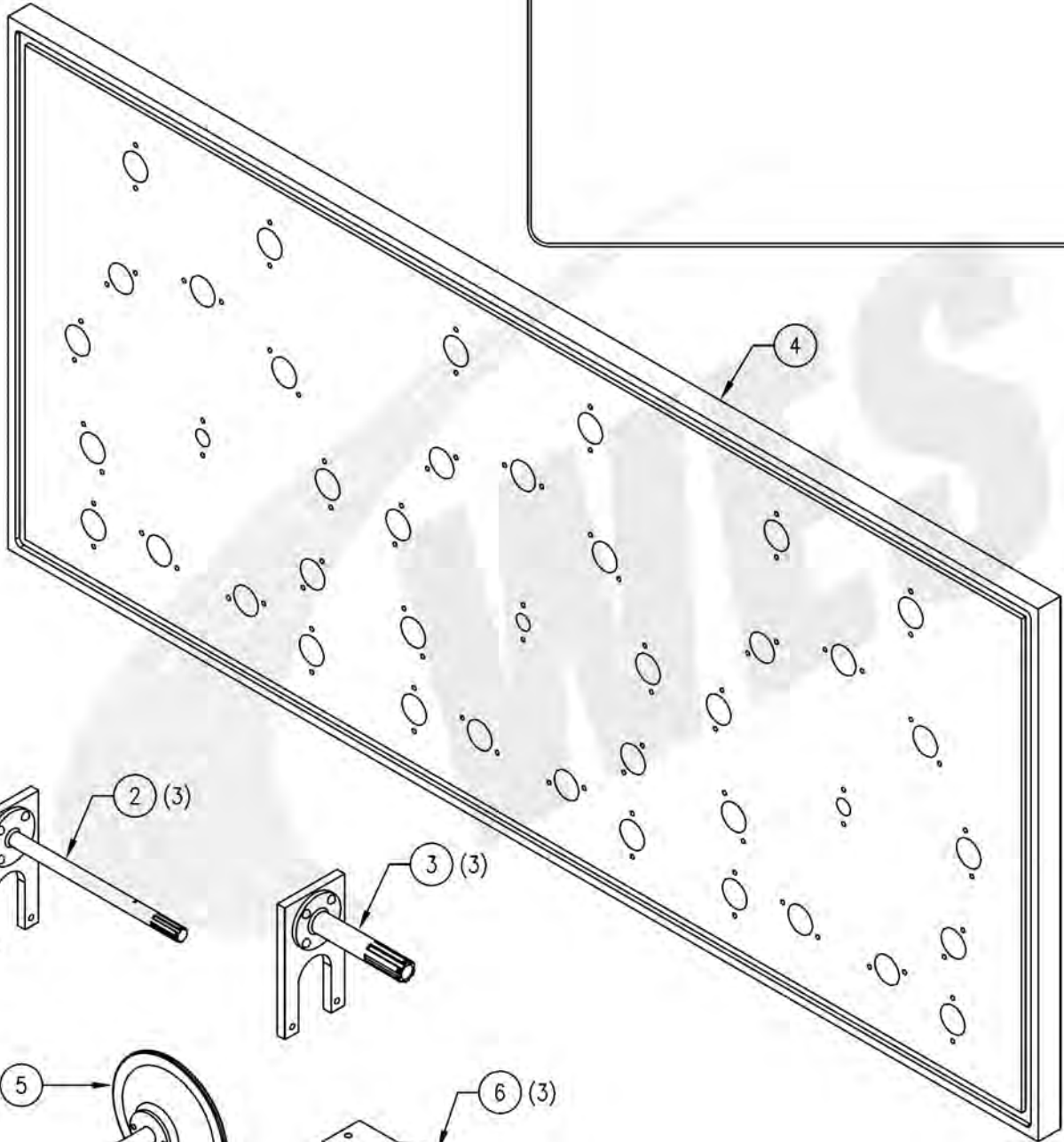
TITLE: CONTACT KIT, COMPLETE

DWG NO. 02-201-0001KU

REV: 0



PARTS LIST			
ITEM NO.	PART NUMBER	DESCRIPTION	QTY
1	02-201-0062	GASKET, DOOR	1
2	02-201-0044	ARM ASSEMBLY, INSULATING, REAR	3
3	02-201-0045	ARM ASSEMBLY, INSULATING, FRONT	3
4	02-201-0055	BARRIER BOARD	1
5	02-201-0046P	COLLECTOR RING ASSEMBLY, REAR	3
6	02-201-0053P	COLLECTOR RING ASSEMBLY, FRONT	3



WESTERN ELECTRICAL SERVICES

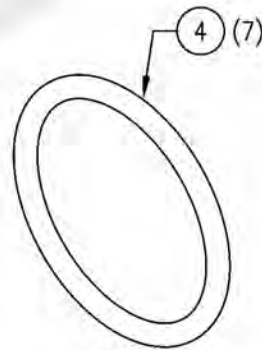
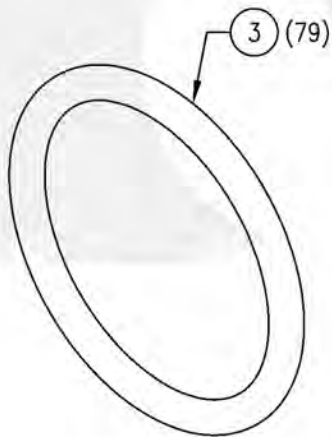
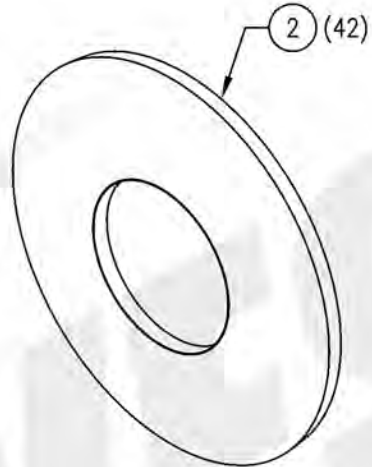
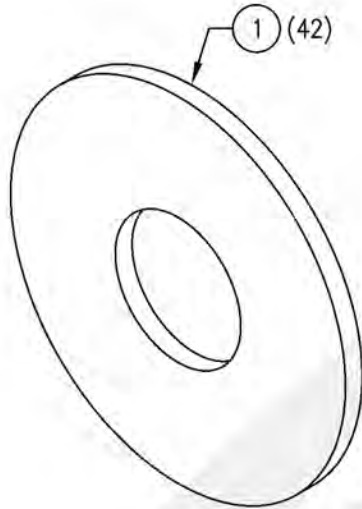
EQUIPMENT: MCGRAW EDISON 550BLS

TITLE: NOT INCLUDED IN KIT

DWG NO. 02-201-0000K-2

REV: 3

PARTS LIST			
ITEM NO.	PART NUMBER	DESCRIPTION	QTY
1	02-201-0063T	WASHER, FLAT	42
2	02-201-0064T	WASHER, BELLEVILLE	42
3	02-202-0040	O-RING, LARGE	79
4	02-202-0041	O-RING, SMALL	7



WESTERN ELECTRICAL SERVICES

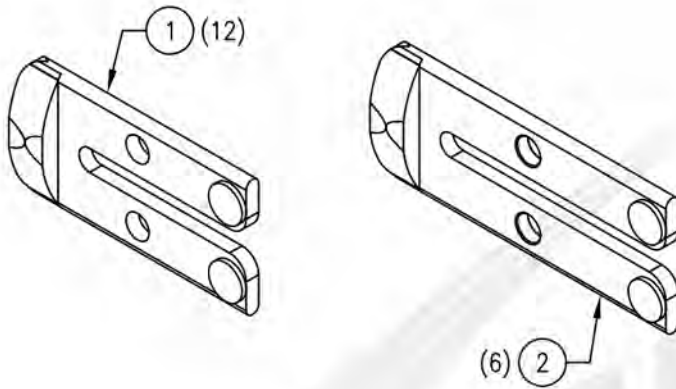
EQUIPMENT: MCGRAW EDISON 550BLS & 550BHS

TITLE: KIT, O-RING & WASHER

DWG NO. 02-201-0005K

REV: 0

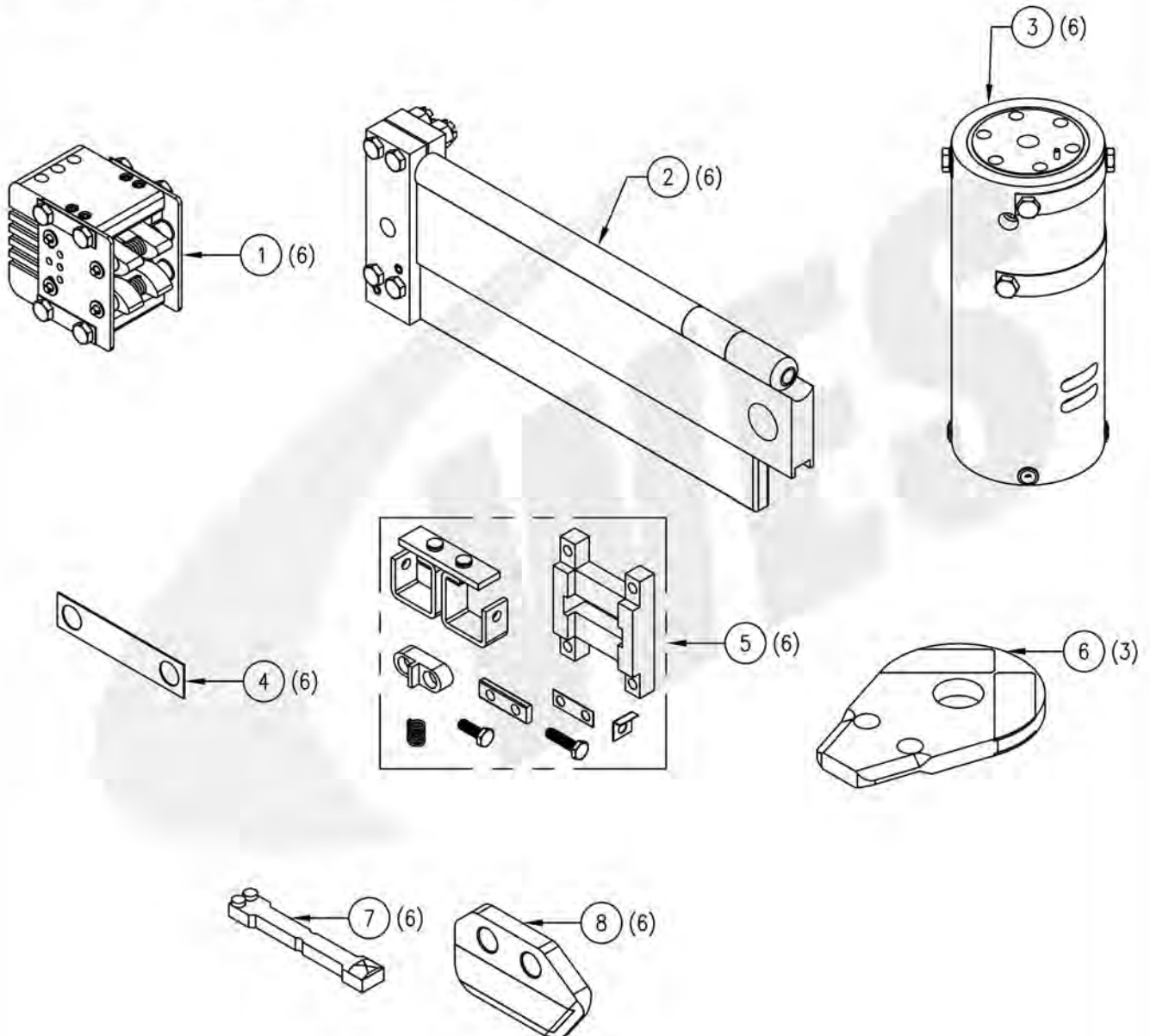
PARTS LIST			
ITEM NO.	PART NUMBER	DESCRIPTION	QTY
1	02-203-0036	CONTACT FINGER ASSEMBLY, MOVING, SELECTOR SWITCH	12
2	02-203-0040	CONTACT FINGER ASSEMBLY, MOVING, REVERSING SWITCH	6



WESTERN ELECTRICAL SERVICES	
EQUIPMENT: McGRAW EDISON 880	
TITLE: REPLACEMENT PARTS	
DWG NO. 02-214-0000K	REV: 0



PARTS LIST			
ITEM NO.	PART NUMBER	DESCRIPTION	QTY
1	02-207-0001U	CONTACT ASSEMBLY, STATIONARY, TRANSFER SWITCH	6
2	02-207-0013U	CONTACT ASSEMBLY, MOVING, TRANSFER SWITCH	6
3	02-207-0020P	ARCING CHAMBER AND CONTACT ASSEMBLY	6
4	02-207-0071T	TAB, LOCKING	6
5	02-207-0002KU	KIT, LOWER MAIN CONTACT	6
6	02-207-0076U	CONTACT ASSEMBLY, STATIONARY, SELECTOR SWITCH	3
7	02-207-0077U	CONTACT ASSEMBLY, MOVING, REVERSING SWITCH	6
8	02-207-0078U	CONTACT ASSEMBLY, STATIONARY, REVERSING SWITCH	6



**WESTERN ELECTRICAL SERVICES**

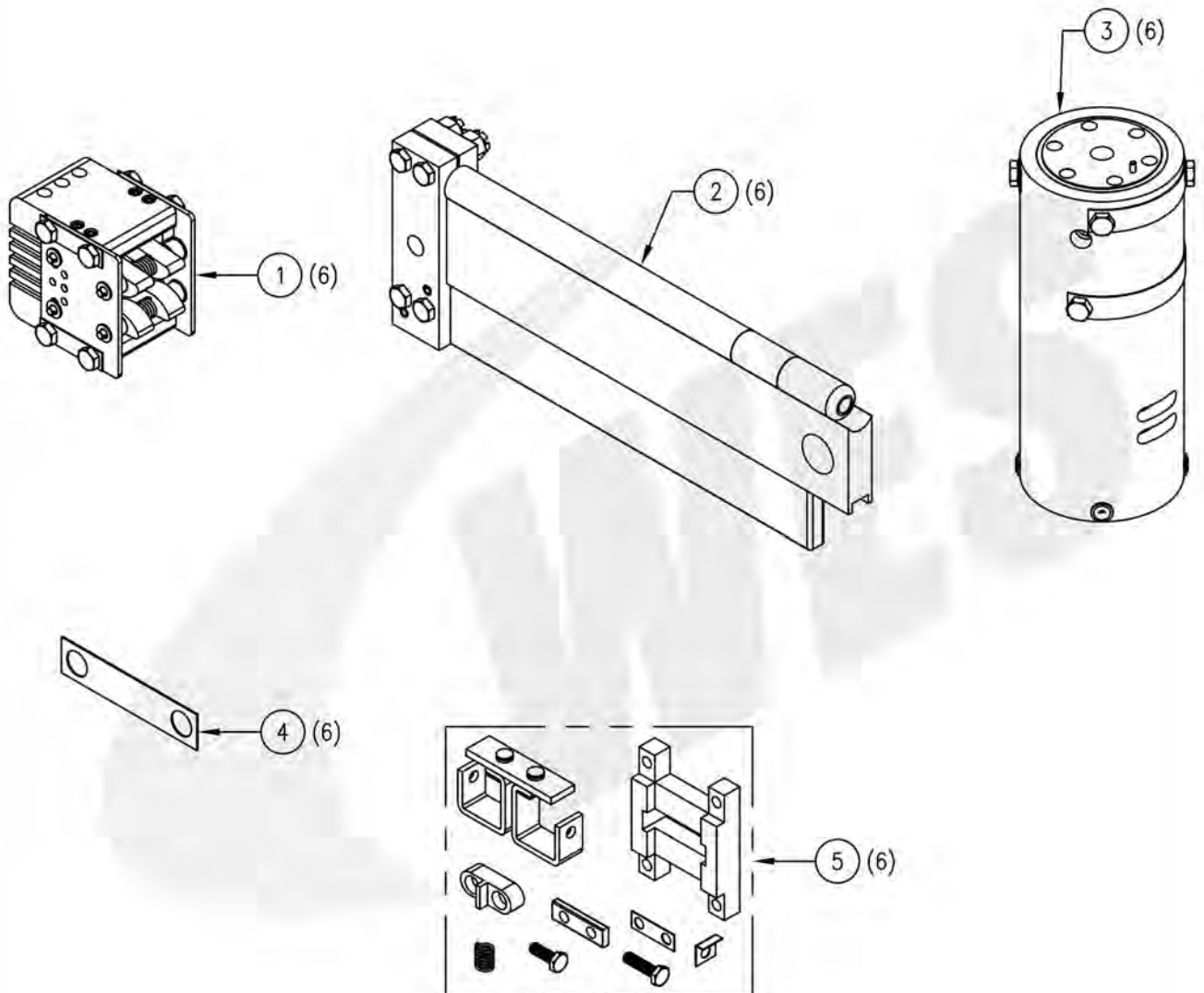
EQUIPMENT: MCGRAW EDISON 996

TITLE: REPLACEMENT PARTS

DWG NO. 02-207-0000KU

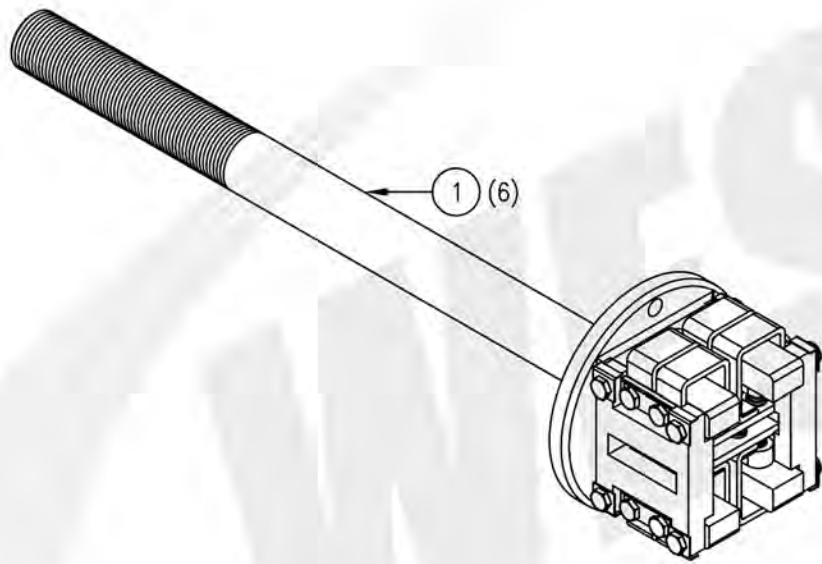
REV: 1

PARTS LIST			
ITEM NO.	PART NUMBER	DESCRIPTION	QTY
1	02-207-0001U	CONTACT ASSEMBLY, STATIONARY, TRANSFER SWITCH	6
2	02-207-0013U	CONTACT ASSEMBLY, MOVING, TRANSFER SWITCH	6
3	02-207-0020P	ARCING CHAMBER AND CONTACT ASSEMBLY	6
4	02-207-0071T	TAB, LOCKING	6
5	02-207-0002KU	KIT, LOWER MAIN CONTACT	6



WESTERN ELECTRICAL SERVICES	
EQUIPMENT: MCGRAW EDISON 996	
TITLE: KIT, TRANSFER SWITCH	
DWG NO. 02-207-0001KU	REV: 0

PARTS LIST			
ITEM NO.	PART NUMBER	DESCRIPTION	QTY
1	02-207-0053U	LOWER MAIN CONTACT ASSEMBLY WITH BUSHING ROD	6



WESTERN ELECTRICAL SERVICES

EQUIPMENT: MCGRAW EDISON 996

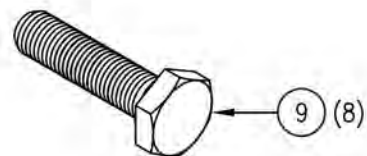
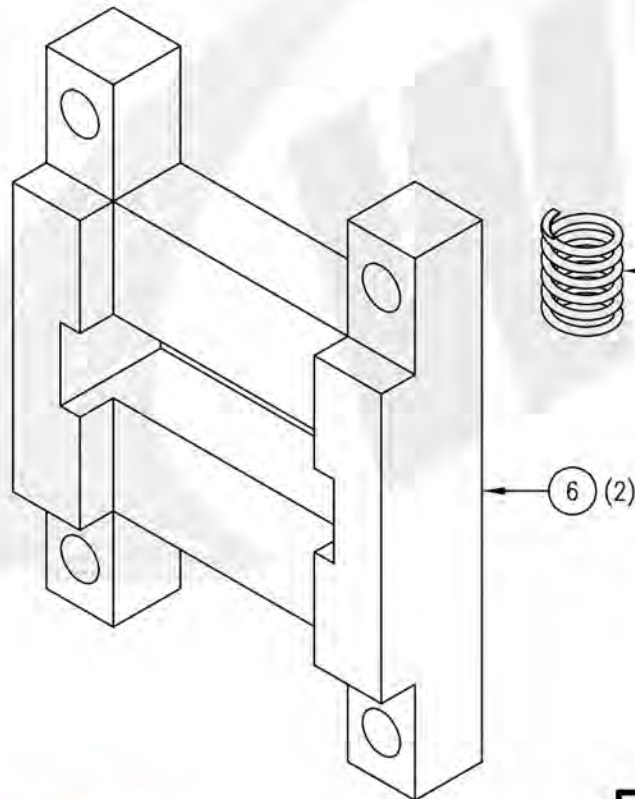
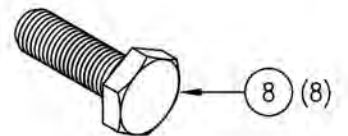
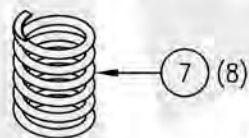
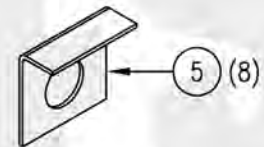
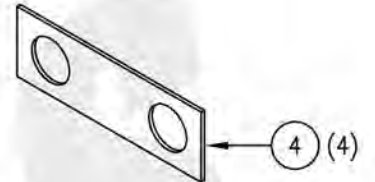
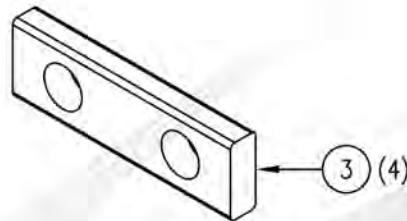
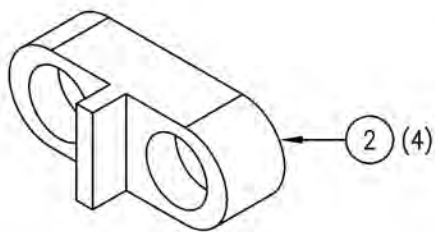
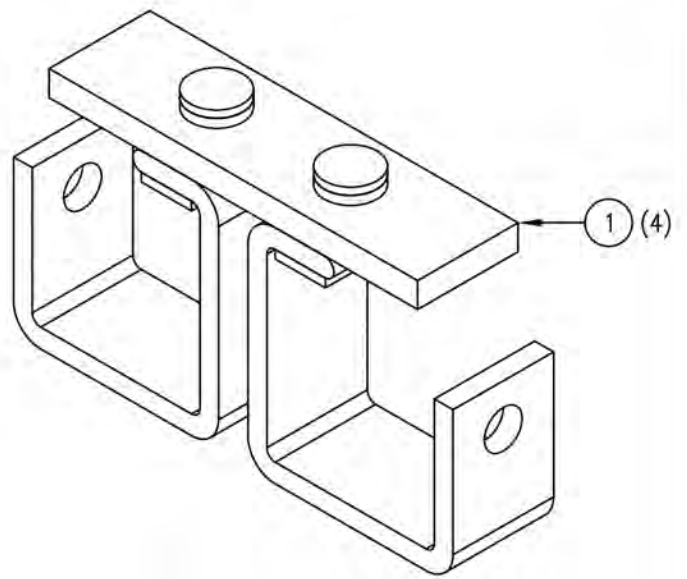
TITLE: NOT INCLUDED IN KIT

DWG NO. 02-207-0000KU-2

REV: 0



PARTS LIST			
ITEM NO.	PART NUMBER	DESCRIPTION	QTY
1	02-207-0054U	CONTACT ASSEMBLY, MAIN	4
2	02-207-0061	RETAINER, SPRING	4
3	02-207-0062T	PLATE, PRESSURE	4
4	02-207-0063T	TAB, LOCKING	4
5	02-207-0064T	TAB, LOCKING	8
6	02-207-0065	GUIDE, BAR	2
7	02-207-0035	SPRING, CONTACT	8
8	99-102-1008	SCREW, HEX HEAD, STEEL, .250-20 X .750 LONG	8
9	99-102-1012	SCREW, HEX HEAD, STEEL, .250-20 X 1.000 LONG	8



WESTERN ELECTRICAL SERVICES

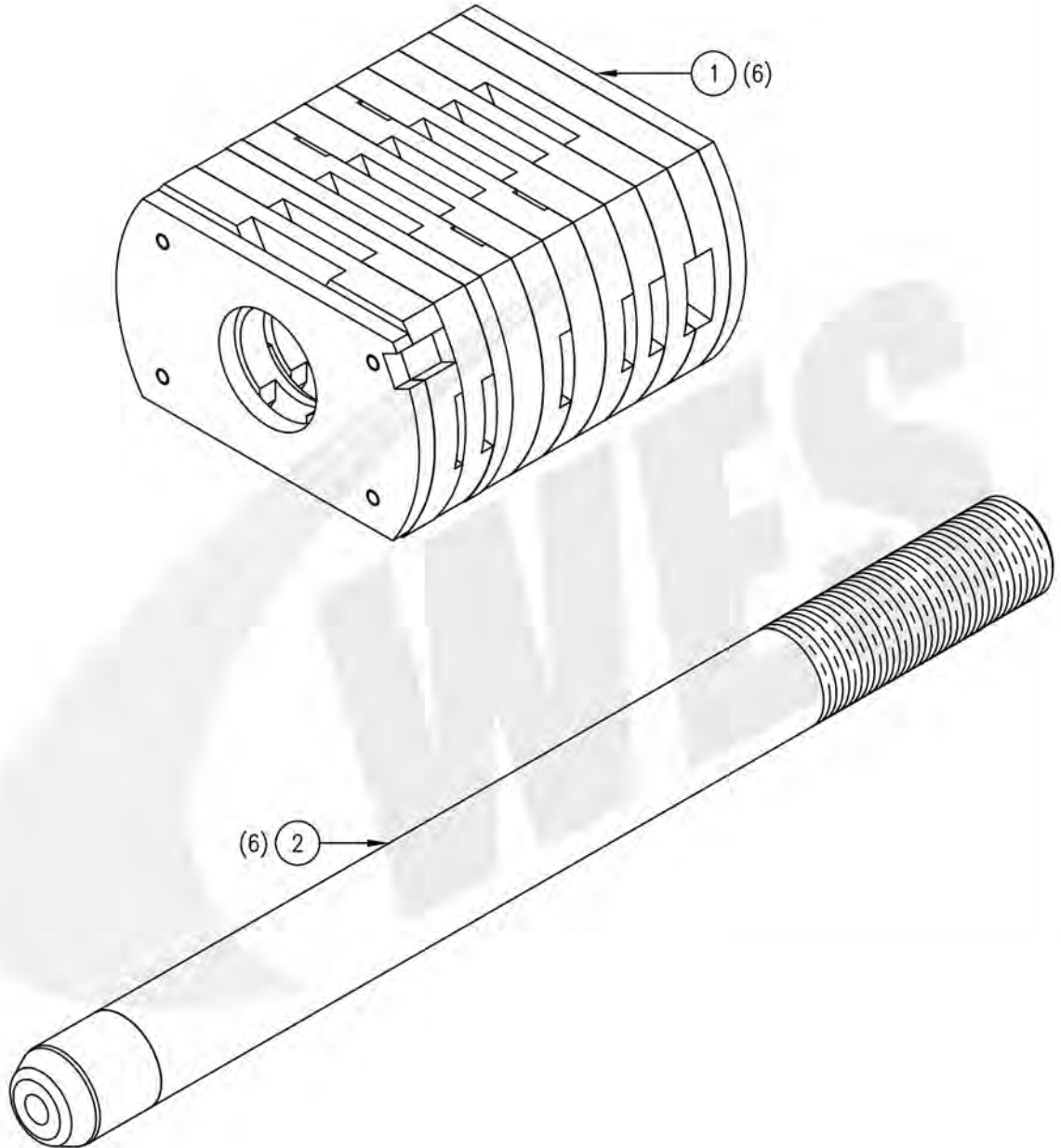
EQUIPMENT: MCGRAW EDISON 996

TITLE: KIT, LOWER MAIN CONTACT

DWG NO. 02-207-0002KU

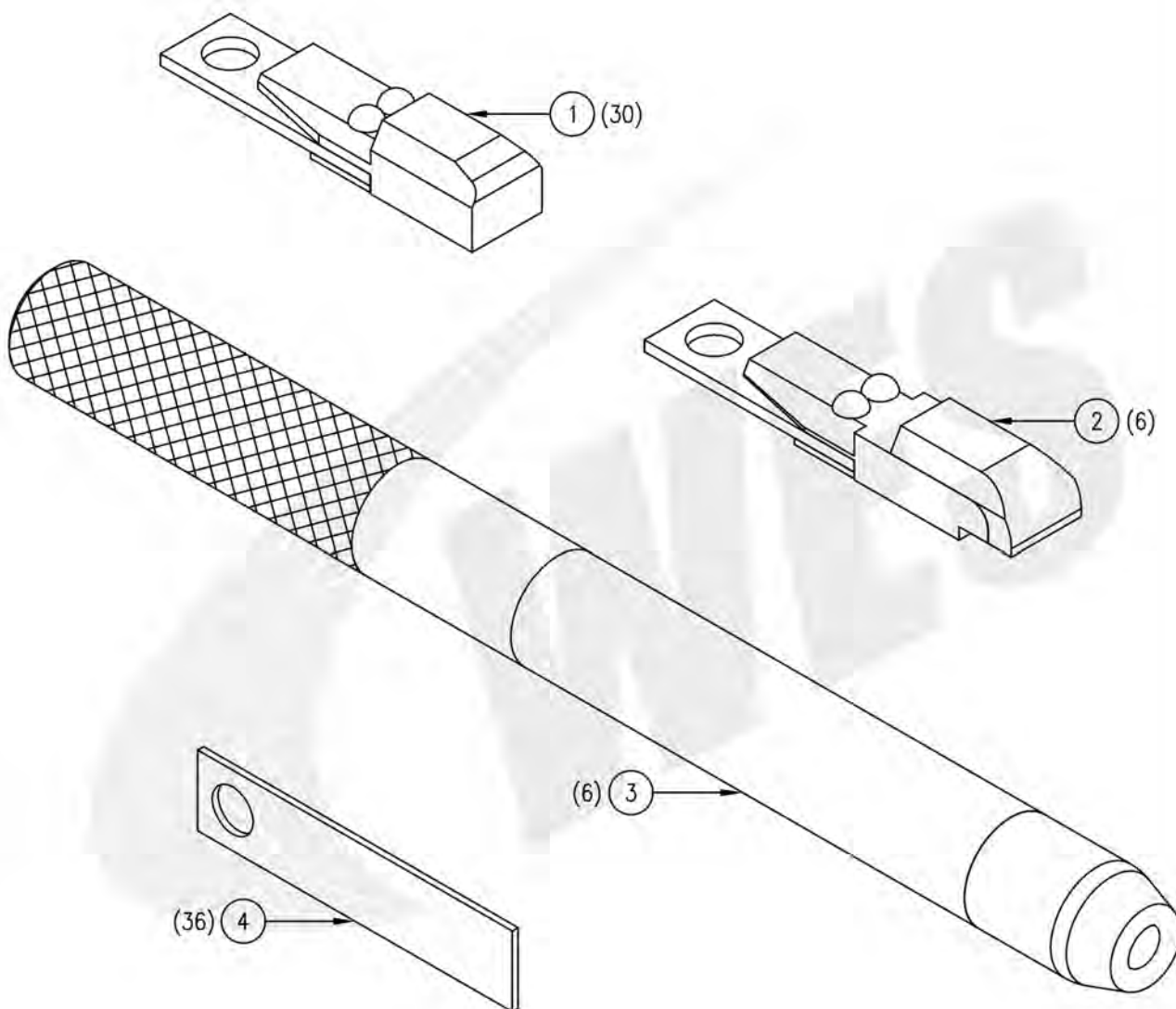
REV: 0

PARTS LIST			
ITEM NO.	PART NUMBER	DESCRIPTION	QTY
1	02-215-0001	BAFFLE STACK ASSEMBLY	6
2	02-215-0011	CONTACT ROD ASSEMBLY, MOVING	6



WESTERN ELECTRICAL SERVICES	
EQUIPMENT: MCGRAW EDISON ALP54-121-40	
TITLE: REPLACEMENT PARTS	
DWG NO. 02-215-0000K	REV: 0

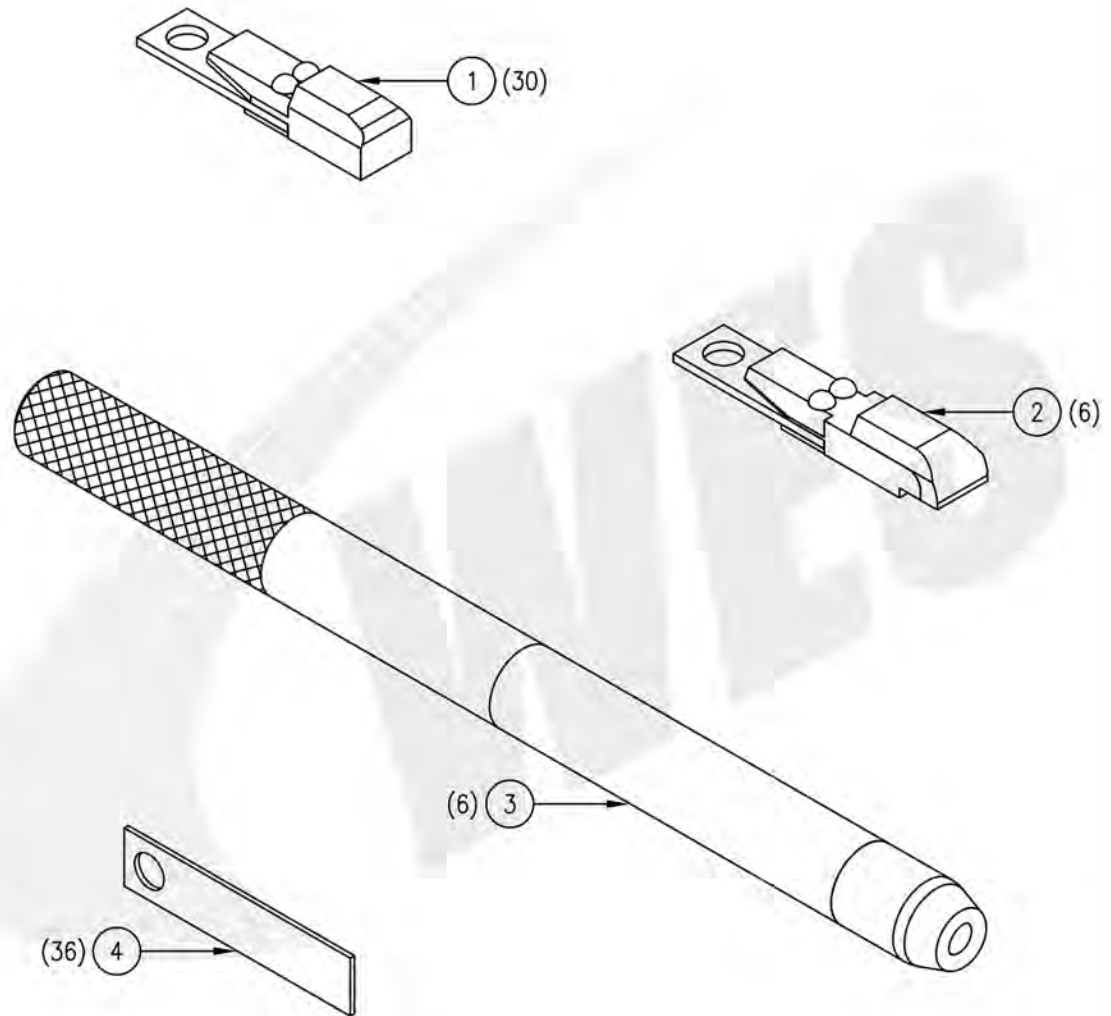
PARTS LIST			
ITEM NO.	PART NUMBER	DESCRIPTION	QTY
1	02-209-0001	CONTACT FINGER ASSEMBLY, STATIONARY	30
2	02-209-0002	CONTACT FINGER ASSEMBLY, ARCING, STATIONARY	6
3	02-209-0004P	CONTACT ROD ASSEMBLY, MOVING	6
4	02-209-0020	SPRING, CONTACT	36



WESTERN ELECTRICAL SERVICES	
EQUIPMENT: McGRAW EDISON CF37	
TITLE: REPLACEMENT PARTS	
DWG NO. 02-209-0000K	REV: 1



PARTS LIST			
ITEM NO.	PART NUMBER	DESCRIPTION	QTY
1	02-209-0001	CONTACT FINGER ASSEMBLY, STATIONARY	30
2	02-209-0002	CONTACT FINGER ASSEMBLY, ARCING, STATIONARY	6
3	02-209-0021P	CONTACT ROD ASSEMBLY, MOVING	6
4	02-209-0020	SPRING, CONTACT	36



WESTERN ELECTRICAL SERVICES

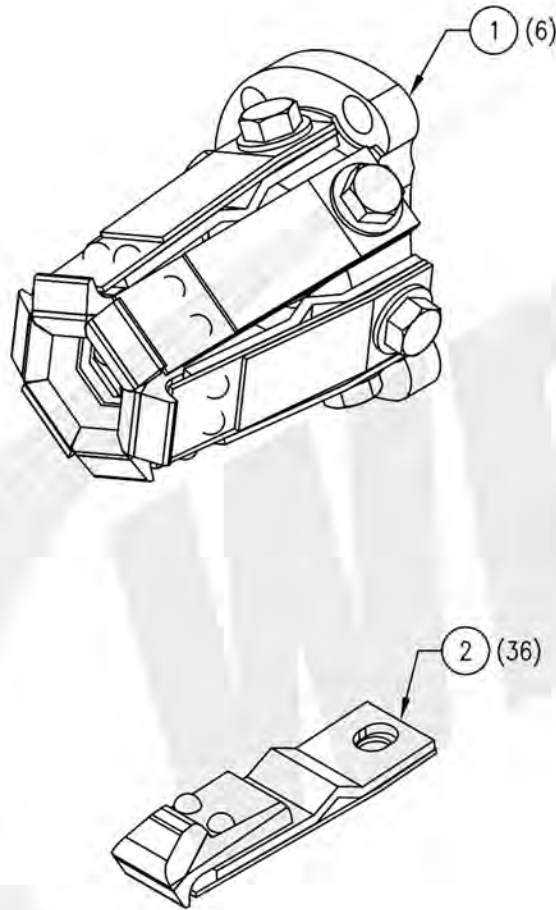
EQUIPMENT: MCGRAW EDISON CF48

TITLE: REPLACEMENT PARTS

DWG NO. 02-209-0001K

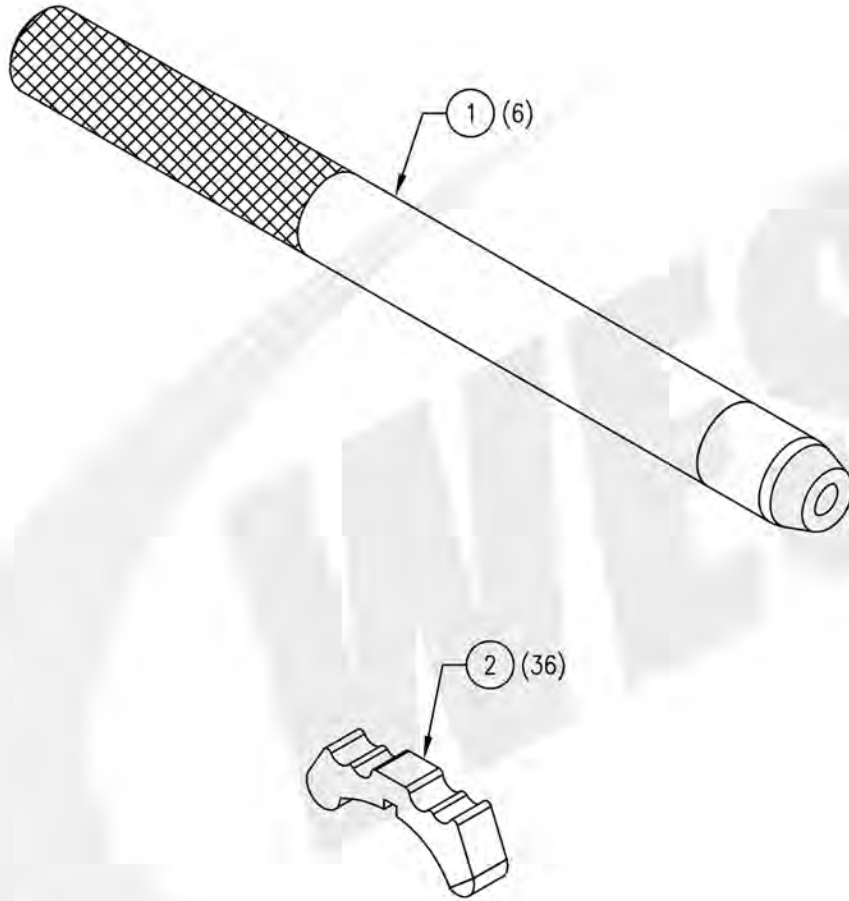
REV: 0

PARTS LIST			
ITEM NO.	PART NUMBER	DESCRIPTION	QTY
1	02-204-0001	CONTACT CLUSTER ASSEMBLY	6
2	02-204-0004	CONTACT FINGER ASSEMBLY, STATIONARY	6



WESTERN ELECTRICAL SERVICES	
EQUIPMENT: MCGRAW EDISON CF56 & CH60	
TITLE: REPLACEMENT PARTS	
DWG NO. 02-204-0000K	REV: 0

PARTS LIST			
ITEM NO.	PART NUMBER	DESCRIPTION	QTY
1	02-205-0001P	CONTACT ROD ASSEMBLY, MOVING	6
2	02-205-0003P	CONTACT FINGER ASSEMBLY, STATIONARY	36



WESTERN ELECTRICAL SERVICES

EQUIPMENT: MCGRAW EDISON CF56A & CH60A

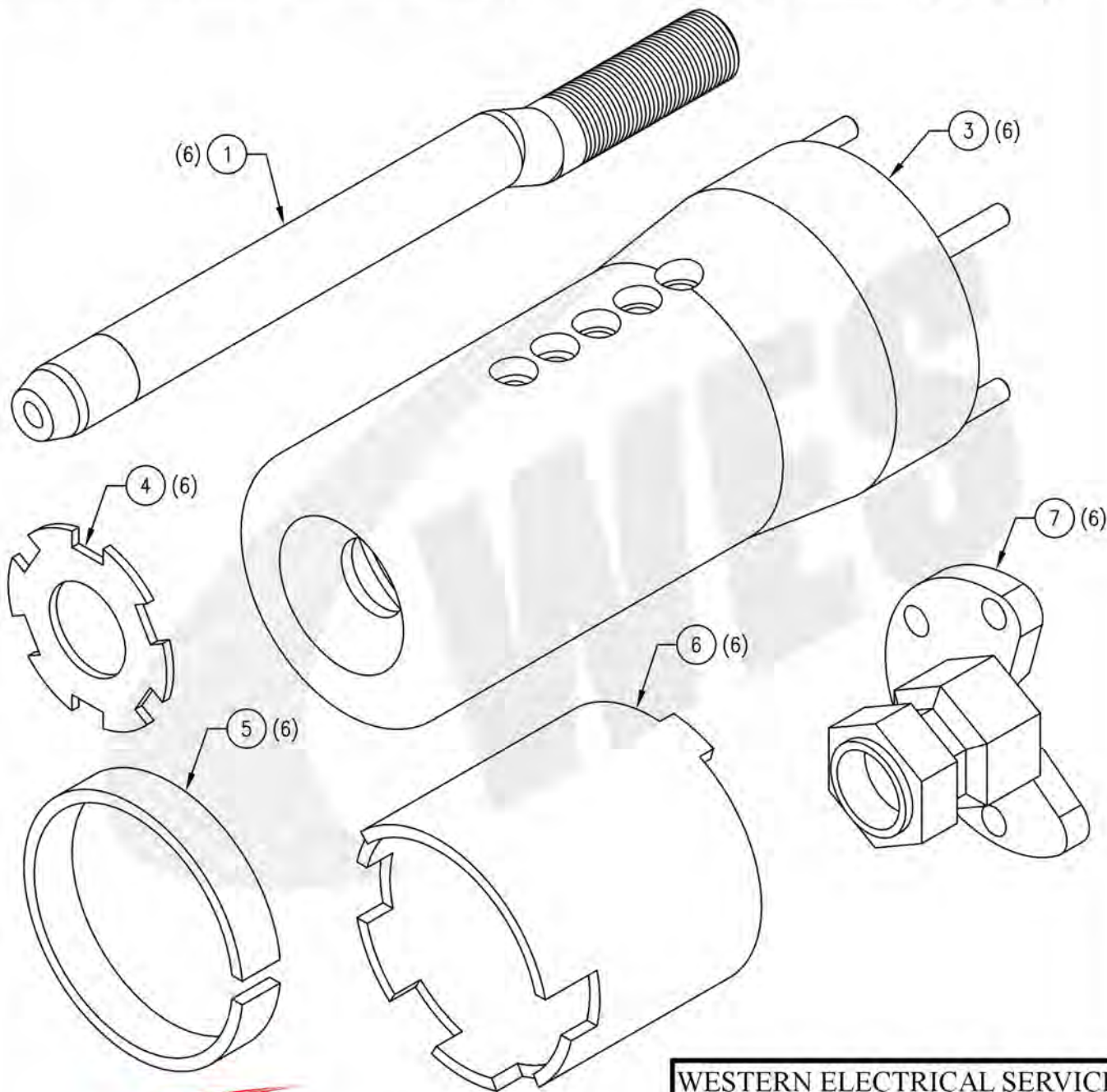
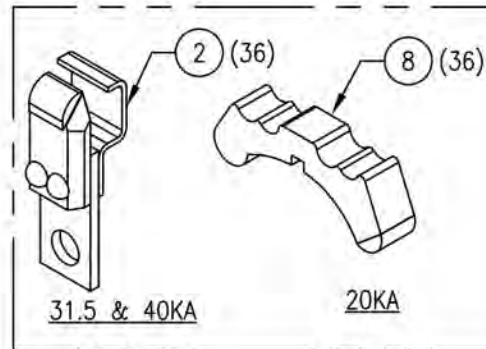
TITLE: REPLACEMENT PARTS

DWG NO. 02-205-0000K

REV: 0



PARTS LIST			
ITEM NO.	PART NUMBER	DESCRIPTION	QTY
1	02-206-0001	CONTACT ROD ASSEMBLY, MOVING	6
2	02-206-0004	CONTACT FINGER ASSEMBLY, STATIONARY	36
3	02-206-0011	INTERRUPTER ASSEMBLY	6
4	02-206-0017	RETAINER, CONTACT	6
5	02-206-0018	SPACER, BOTTOM	6
6	02-206-0019	SPACER, TOP	6
7	02-206-0020P	BASE, CONTACT	6
8	02-205-0003P	CONTACT FINGER ASSEMBLY, STATIONARY	36



**WESTERN ELECTRICAL SERVICES**

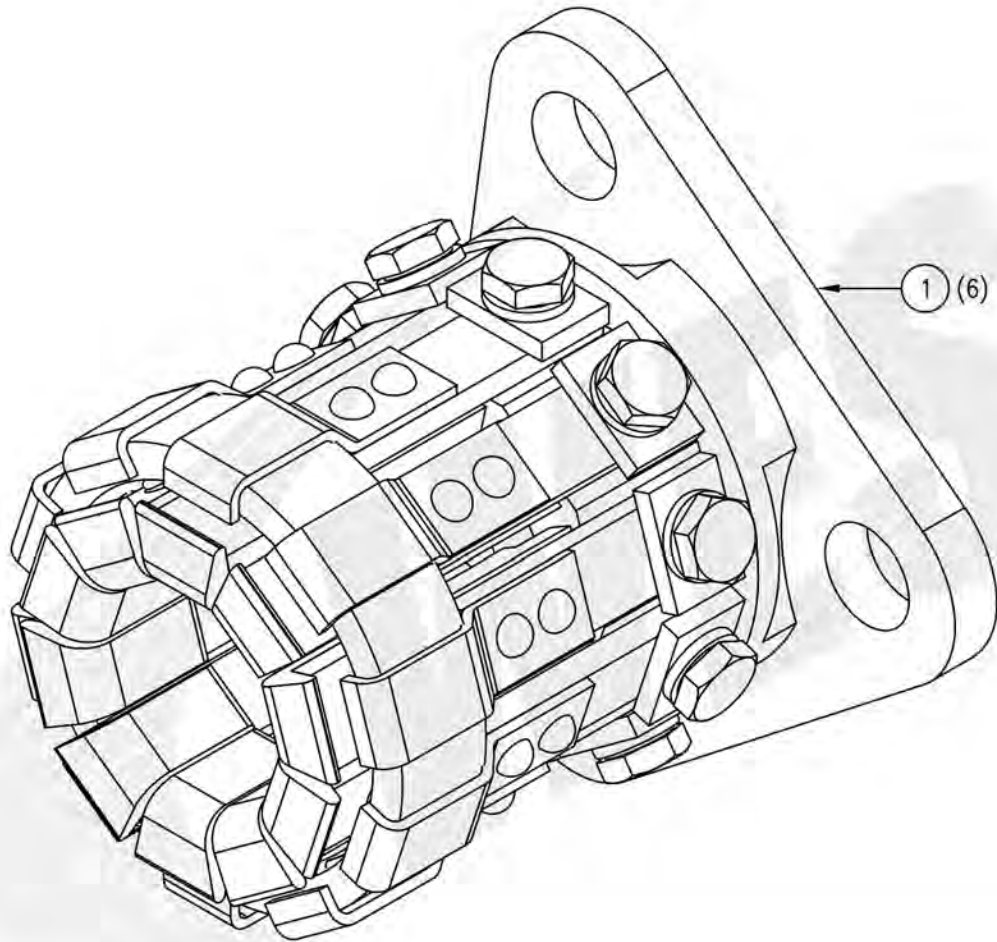
EQUIPMENT: MCGRAW EDISON CG38 & CG48

TITLE: REPLACEMENT PARTS

DWG NO. 02-206-0000K

REV: 2

PARTS LIST			
ITEM NO.	PART NUMBER	DESCRIPTION	QTY
1	02-210-0003	CONTACT ASSEMBLY, STATIONARY	6



WESTERN ELECTRICAL SERVICES	
EQUIPMENT: MCGRAW EDISON RHE	
TITLE: REPLACEMENT PARTS	
DWG NO. 02-210-0000K	REV: 0

# **Moloney**

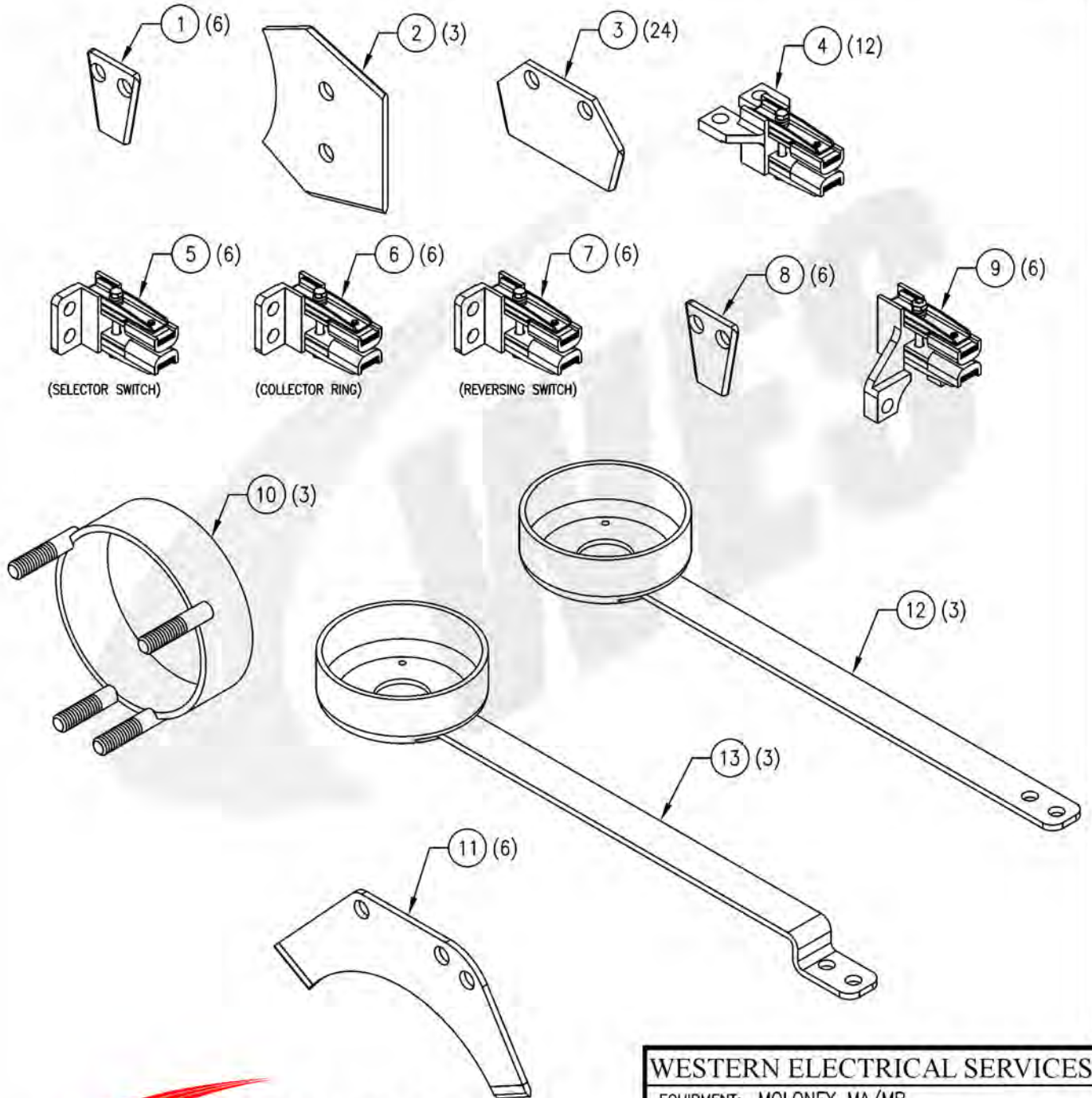
## **Load Tap Changer**

### **Replacement Parts**



PARTS LIST			
ITEM NO.	PART NUMBER	DESCRIPTION	QTY
1	09-900-0001	CONTACT, STATIONARY, TRANSFER SWITCH	6
2	09-900-0002P	CONTACT, STATIONARY, NEUTRAL, SELECTOR/REVERSING SWITCH	3
3	09-900-0003	CONTACT, STATIONARY, SELECTOR SWITCH	24
4	09-900-0005	CONTACT ASSEMBLY, ARCING, MOVING, TRANSFER SWITCH	12
5	09-900-0009	CONTACT ASSEMBLY, MOVING, SELECTOR SWITCH	6
6	09-900-0014	CONTACT ASSEMBLY, MOVING, COLLECTOR RING	6

PARTS LIST			
ITEM NO.	PART NUMBER	DESCRIPTION	QTY
7	09-900-0015	CONTACT ASSEMBLY, MOVING, REVERSING SWITCH	6
8	09-900-0018	CONTACT, STATIONARY, REVERSING SWITCH	6
9	09-900-0028	CONTACT ASSEMBLY, MOVING, TRANSFER SWITCH/COLLECTOR RING	6
10	09-900-0030	COLLECTOR RING, INNER	3
11	09-902-0001	CONTACT, STATIONARY, TRANSFER SWITCH	6
12	09-902-0004	COLLECTOR RING, TRANSFER SWITCH	3
13	09-902-0007	COLLECTOR RING, TRANSFER SWITCH	3

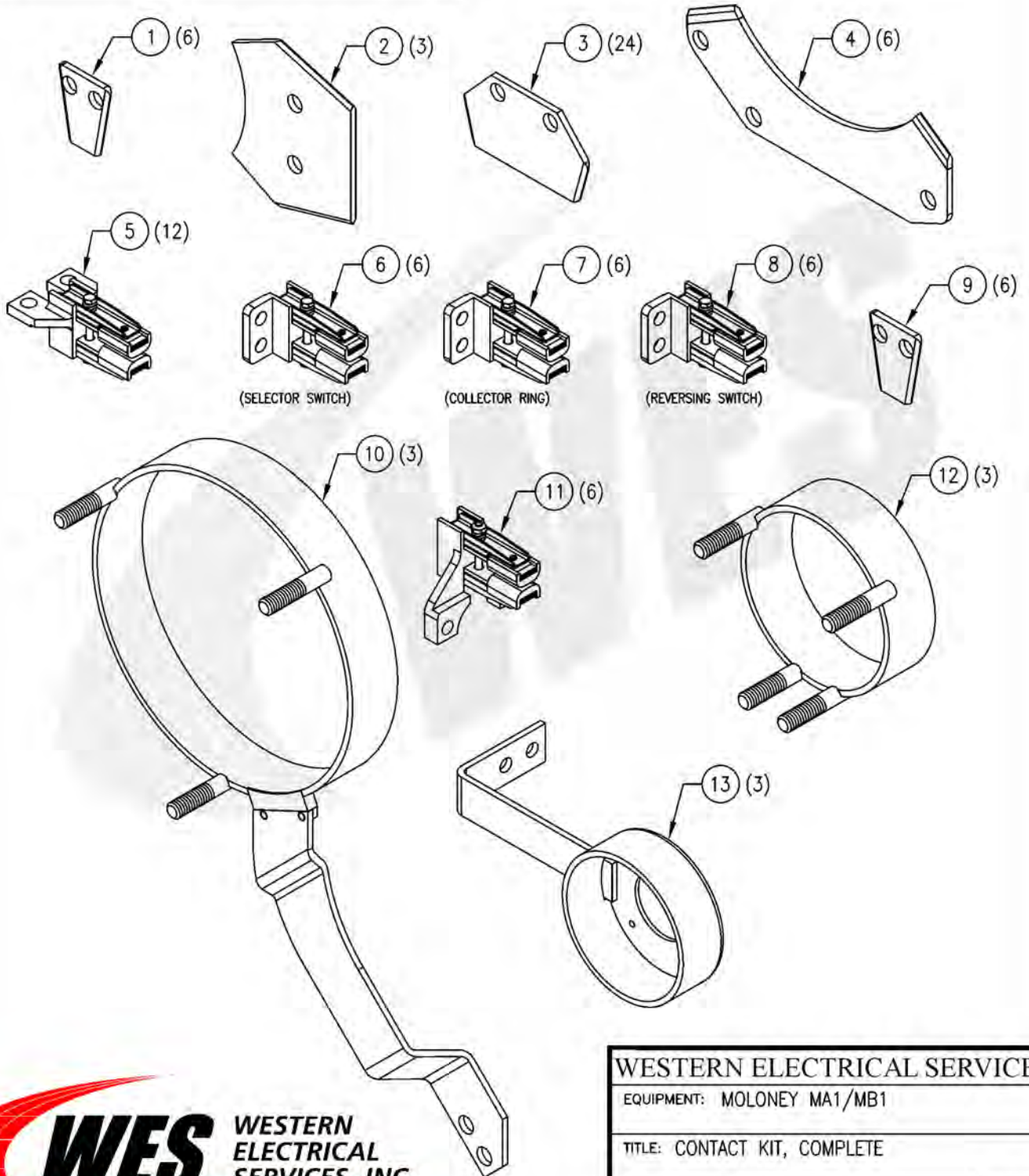


WESTERN ELECTRICAL SERVICES	
EQUIPMENT: MOLONEY MA/MB	
TITLE: CONTACT KIT, COMPLETE	
DWG NO. 09-902-0000K	REV: 0



PARTS LIST			
ITEM NO.	PART NUMBER	DESCRIPTION	QTY
1	09-900-0001	CONTACT, STATIONARY, TRANSFER SWITCH	6
2	09-900-0002P	CONTACT, STATIONARY, NEUTRAL, SELECTOR/REVERSING SWITCH	3
3	09-900-0003	CONTACT, STATIONARY, SELECTOR SWITCH	24
4	09-900-0004	CONTACT, STATIONARY, TRANSFER SWITCH	6
5	09-900-0005	CONTACT ASSEMBLY, ARCING, MOVING, TRANSFER SWITCH	12
6	09-900-0009	CONTACT ASSEMBLY, MOVING, SELECTOR SWITCH	6
7	09-900-0014	CONTACT ASSEMBLY, MOVING, COLLECTOR RING	6

PARTS LIST			
ITEM NO.	PART NUMBER	DESCRIPTION	QTY
8	09-900-0015	CONTACT ASSEMBLY, MOVING, REVERSING SWITCH	6
9	09-900-0018	CONTACT, STATIONARY, REVERSING SWITCH	6
10	09-900-0019	COLLECTOR RING, OUTER	3
11	09-900-0028	CONTACT ASSEMBLY, MOVING, TRANSFER SWITCH/COLLECTOR RING	6
12	09-900-0030	COLLECTOR RING, INNER	3
13	09-900-0032	COLLECTOR RING, LOAD TRANSFER SWITCH	3



WESTERN ELECTRICAL SERVICES

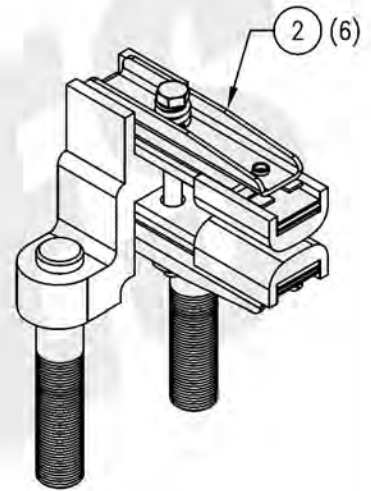
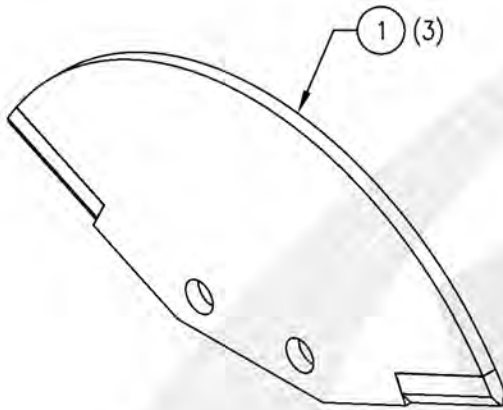
EQUIPMENT: MOLONEY MA1/MB1

TITLE: CONTACT KIT, COMPLETE

DWG NO. 09-900-0000K

REV: 0

PARTS LIST			
ITEM NO.	PART NUMBER	DESCRIPTION	QTY
1	09-901-0001	CONTACT, MOVING, TRANSFER SWITCH	3
2	09-901-0004	CONTACT ASSEMBLY, STATIONARY, TRANSFER SWITCH	6



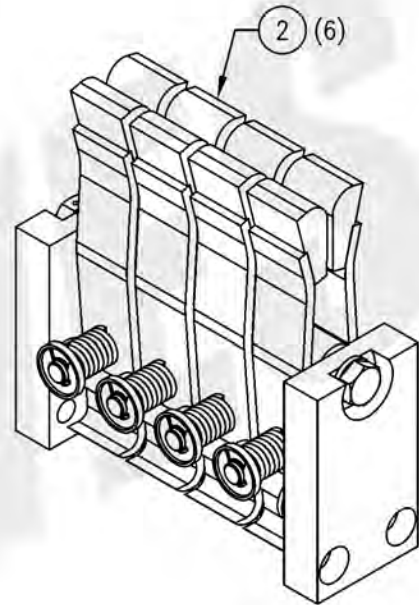
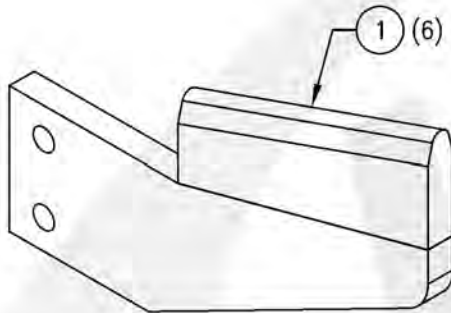
WESTERN ELECTRICAL SERVICES	
EQUIPMENT: MOLONEY MA2/MB2	
TITLE: REPLACEMENT PARTS	
DWG NO. 09-901-0000K	REV: 0

# **PEMCO**

## **Replacement Parts**



PARTS LIST			
ITEM NO.	PART NUMBER	DESCRIPTION	QTY
1	11-100-0001	CONTACT ASSEMBLY, MOVING	6
2	11-100-0004	CONTACT ASSEMBLY, STATIONARY	6



WESTERN ELECTRICAL SERVICES

EQUIPMENT: PEMCO TYPE 331

TITLE: REPLACEMENT PARTS

DWG NO. 11-100-0000K

REV: 0

# **Siemens / Allis-Chalmers**

**Load Tap Changer**

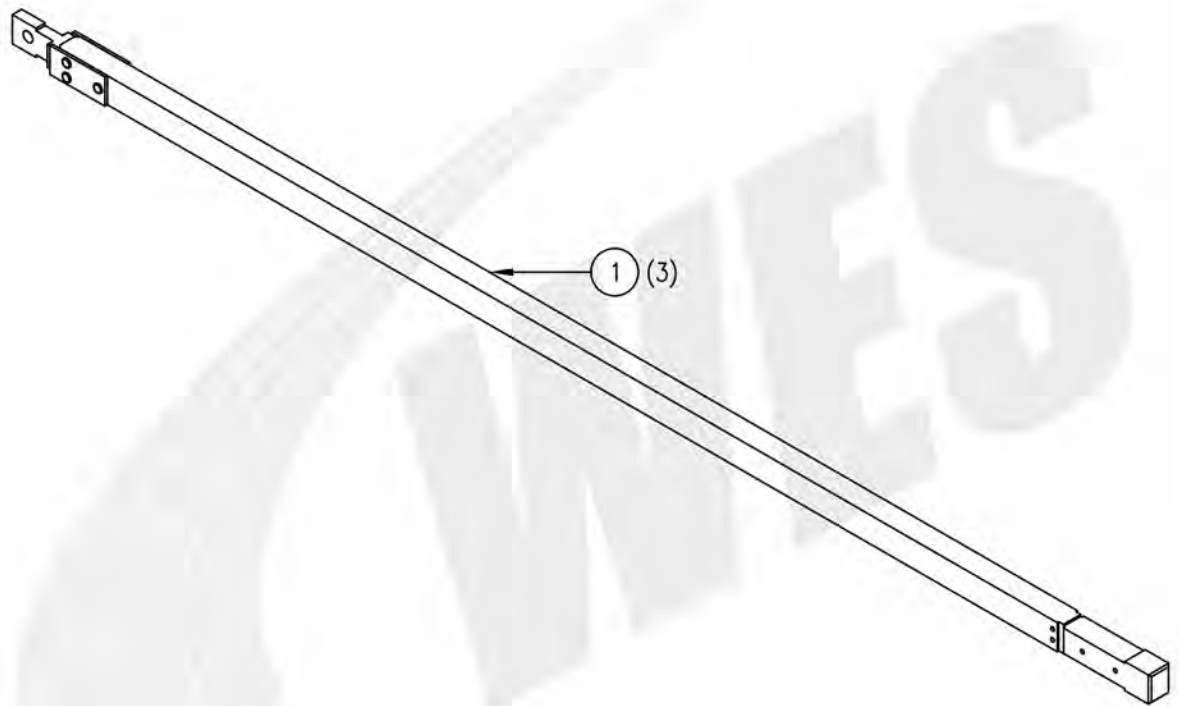
**Replacement Parts**

**&**

**Oil Circuit Breaker**

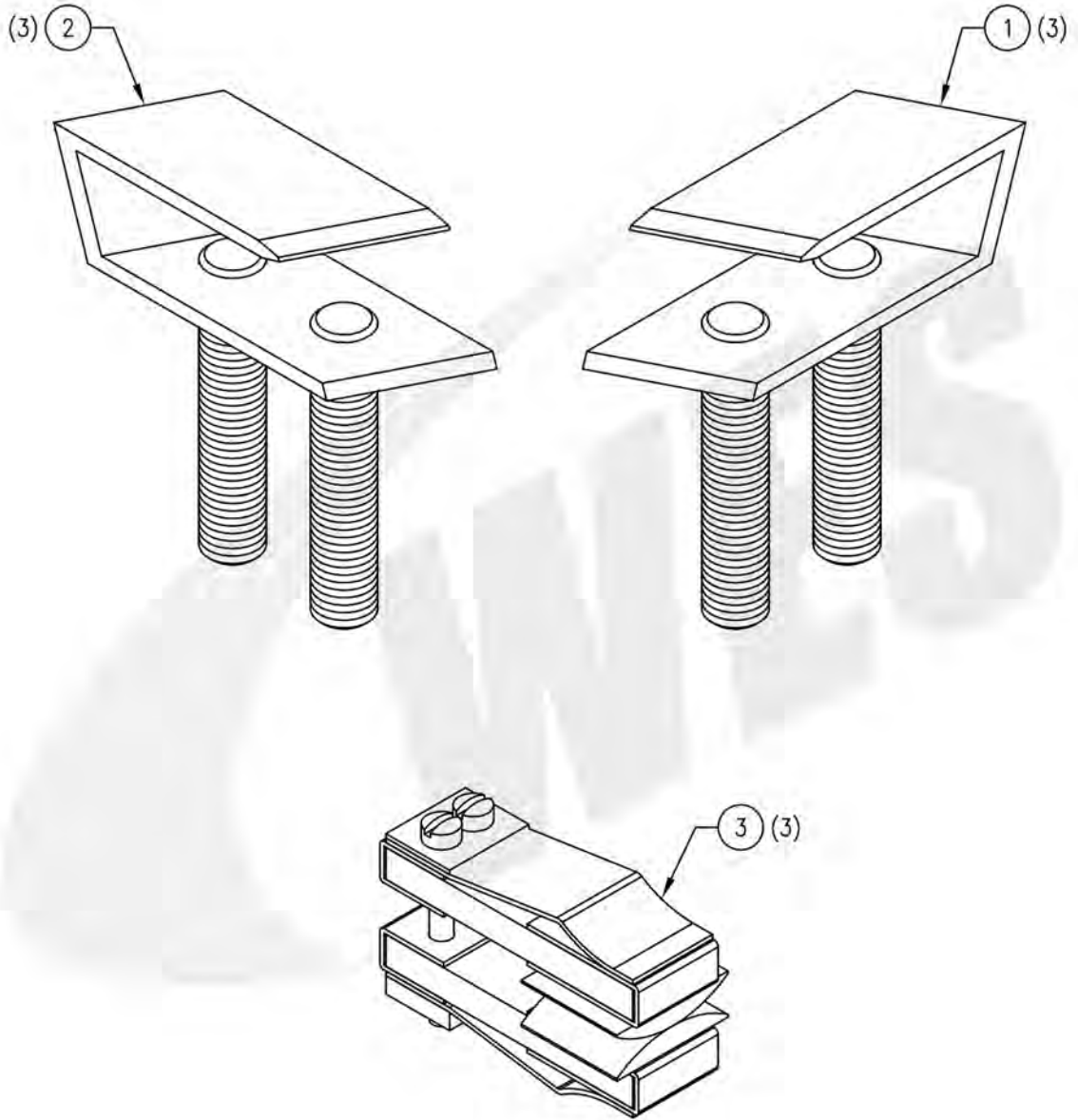
**Replacement Parts**

PARTS LIST			
ITEM NO.	PART NUMBER	DESCRIPTION	QTY
1	03-306-0005	LIFT ROD ASSEMBLY	3



WESTERN ELECTRICAL SERVICES	
EQUIPMENT: SIEMENS/AC BZO 138	
TITLE: REPLACEMENT PARTS	
DWG NO. 03-306-0000K	REV: 0

PARTS LIST			
ITEM NO.	PART NUMBER	DESCRIPTION	QTY
1	03-309-0008P	CONTACT ASSEMBLY, STATIONARY, REVERSING SWITCH, R.H.	3
2	03-309-0011P	CONTACT ASSEMBLY, STATIONARY, REVERSING SWITCH, L.H.	3
3	03-309-0013	CONTACT ASSEMBLY, MOVING, REVERSING SWITCH	3



WESTERN ELECTRICAL SERVICES

EQUIPMENT: SIEMENS/AC TLG

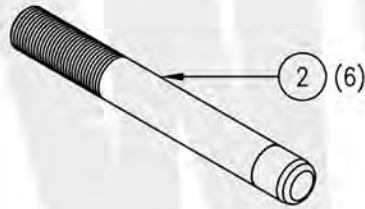
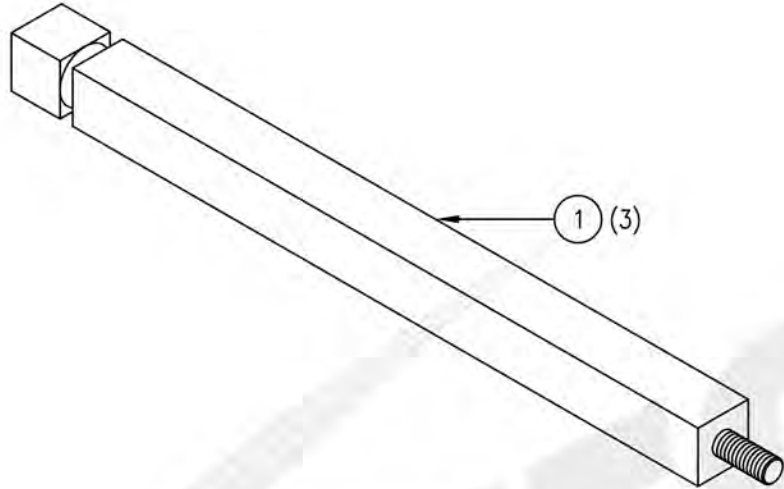
TITLE: REPLACEMENT PARTS

DWG NO. 03-309-0000K

REV: 0

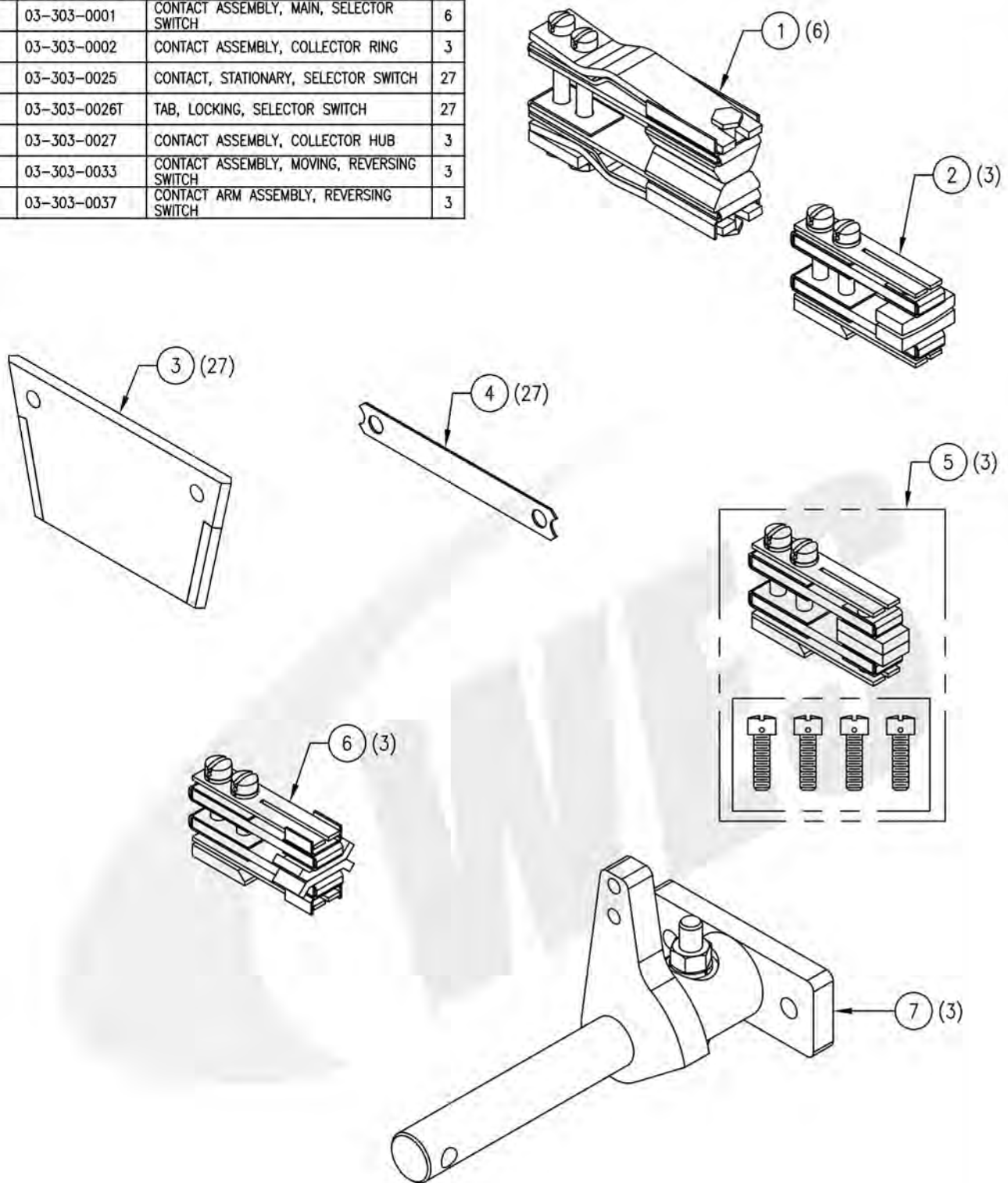


PARTS LIST			
ITEM NO.	PART NUMBER	DESCRIPTION	QTY
1	03-311-0001	LIFT ROD	3
2	03-311-0004	CONTACT ROD ASSEMBLY, MOVABLE	6



WESTERN ELECTRICAL SERVICES	
EQUIPMENT: SIEMENS OZ15-500	
TITLE: REPLACEMENT PARTS	
DWG NO. 03-311-0000K	REV: 0

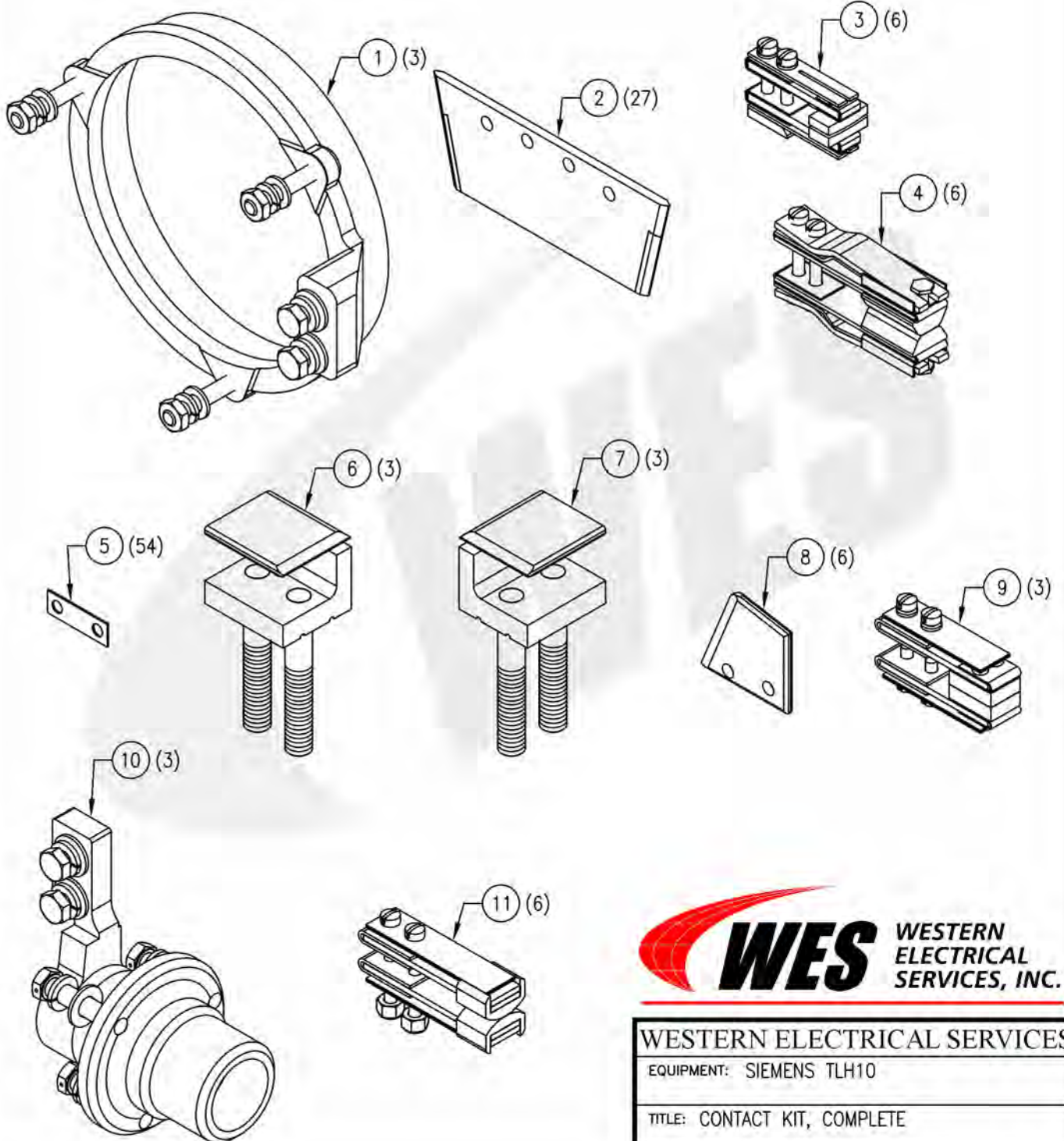
PARTS LIST			
ITEM NO.	PART NUMBER	DESCRIPTION	QTY
1	03-303-0001	CONTACT ASSEMBLY, MAIN, SELECTOR SWITCH	6
2	03-303-0002	CONTACT ASSEMBLY, COLLECTOR RING	3
3	03-303-0025	CONTACT, STATIONARY, SELECTOR SWITCH	27
4	03-303-0026T	TAB, LOCKING, SELECTOR SWITCH	27
5	03-303-0027	CONTACT ASSEMBLY, COLLECTOR HUB	3
6	03-303-0033	CONTACT ASSEMBLY, MOVING, REVERSING SWITCH	3
7	03-303-0037	CONTACT ARM ASSEMBLY, REVERSING SWITCH	3



WESTERN ELECTRICAL SERVICES	
EQUIPMENT: SIEMENS TLF AFR/DFR	
TITLE: REPLACEMENT PARTS	
DWG NO. 03-303-0000K	REV: 1

PARTS LIST			
ITEM NO.	PART NUMBER	DESCRIPTION	QTY
1	03-308-0001	COLLECTOR RING ASSEMBLY	3
2	03-308-0005	CONTACT, STATIONARY, MAIN	27
3	03-303-0002	CONTACT ASSEMBLY, COLLECTOR RING	6
4	03-308-0008	CONTACT ASSEMBLY, MOVING, SELECTOR SWITCH	6
5	03-308-0009T	TAB, LOCKING, SELECTOR SWITCH	54
6	03-308-0010	CONTACT ASSEMBLY, STATIONARY, R.H., REVERSING SWITCH	3

PARTS LIST			
ITEM NO.	PART NUMBER	DESCRIPTION	QTY
7	03-308-0013	CONTACT ASSEMBLY, STATIONARY, L.H., REVERSING SWITCH	3
8	03-308-0015	CONTACT, STATIONARY, MIDDLE	6
9	03-308-0016	CONTACT ASSEMBLY, COLLECTOR HUB	3
10	03-308-0022	COLLECTOR HUB ASSEMBLY	3
11	03-300-0031P	CONTACT ASSEMBLY, COLLECTOR RING	6



WESTERN ELECTRICAL SERVICES

EQUIPMENT: SIEMENS TLH10

TITLE: CONTACT KIT, COMPLETE

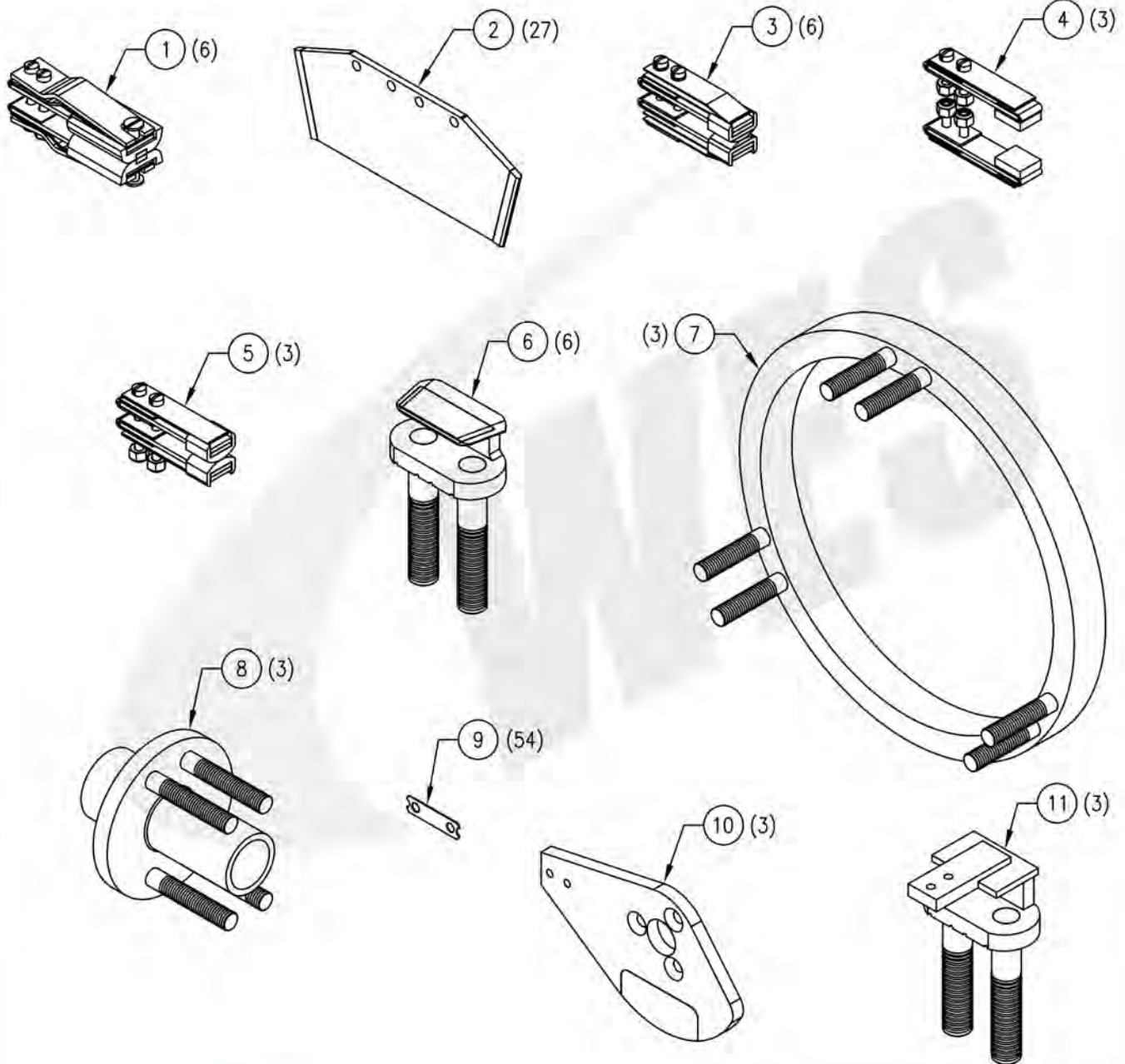
DWG NO. 03-308-0000K

REV: 0



PARTS LIST			
ITEM NO.	PART NUMBER	DESCRIPTION	QTY
1	03-300-0001U	CONTACT ASSEMBLY, MOVING, SELECTOR SWITCH	6
2	03-300-0010U	CONTACT, STATIONARY, SELECTOR SWITCH	27
3	03-300-0011U	CONTACT ASSEMBLY, MOVING, REVERSING SWITCH	6
4	03-300-0024P	CONTACT ASSEMBLY, COLLECTOR HUB, SELECTOR SWITCH	3
5	03-300-0031P	CONTACT ASSEMBLY, COLLECTOR RING, SELECTOR SWITCH	3
6	03-300-0033U	CONTACT, STATIONARY, L.H./R.H., REVERSING SWITCH	6

PARTS LIST			
ITEM NO.	PART NUMBER	DESCRIPTION	QTY
7	03-300-0037P	COLLECTOR RING ASSEMBLY	3
8	03-300-0042P	COLLECTOR HUB ASSEMBLY	3
9	03-300-0046T	TAB, LOCKING	54
10	03-300-0047U	CONTACT SUPPORT, MOVING, ISOLATED REVERSING SWITCH	3
11	03-300-0048P	CONTACT SUPPORT, STATIONARY, ISOLATED REVERSING SWITCH	3



**WESTERN ELECTRICAL SERVICES**

EQUIPMENT: SIEMENS TLH20

TITLE: CONTACT KIT, COMPLETE WITH ISOLATED REVERSING SWITCH

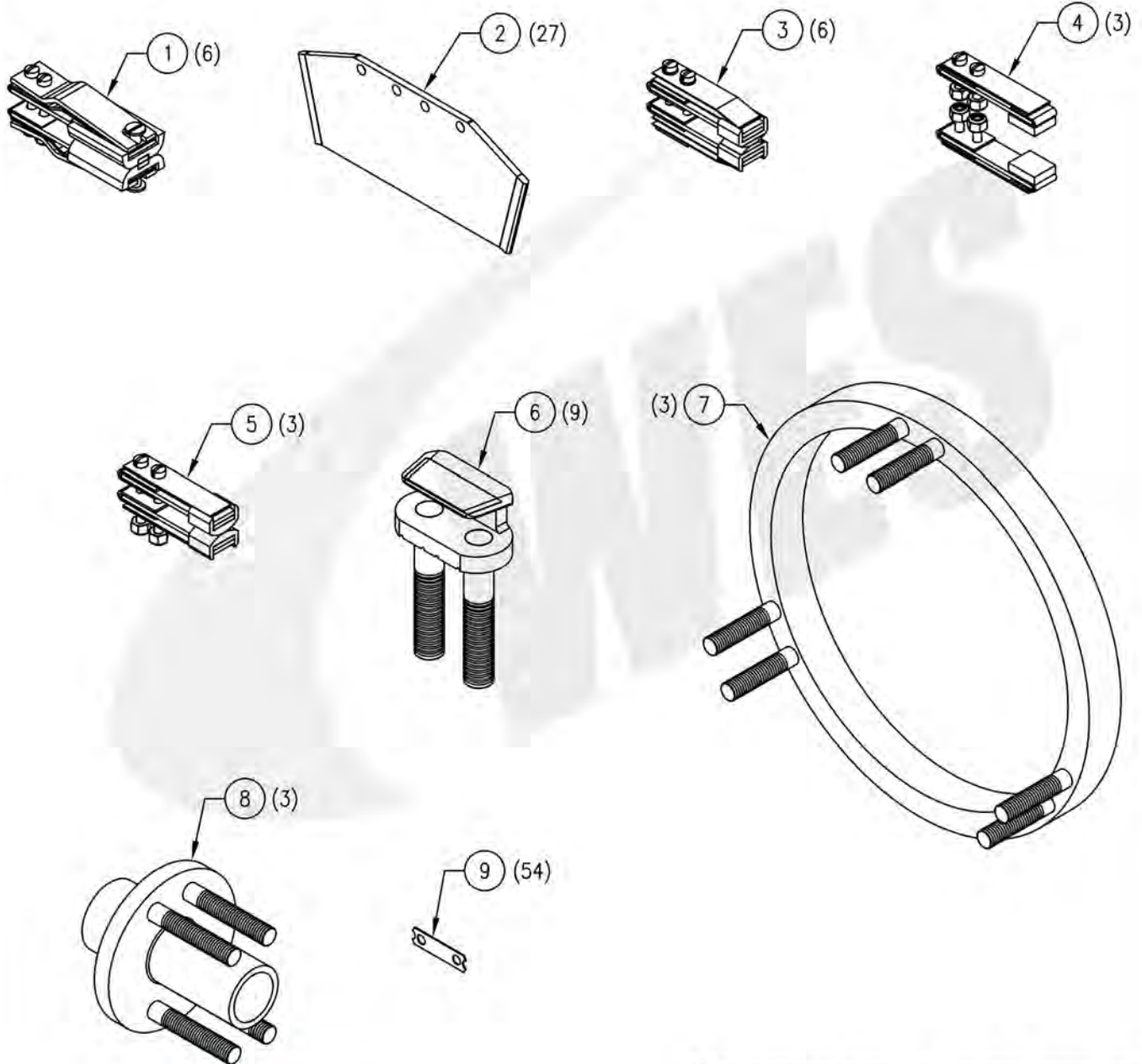
DWG NO. 03-300-0000KU

REV: 0



PARTS LIST			
ITEM NO.	PART NUMBER	DESCRIPTION	QTY
1	03-300-0001U	CONTACT ASSEMBLY, MOVING, SELECTOR SWITCH	6
2	03-300-0010U	CONTACT, STATIONARY, SELECTOR SWITCH	27
3	03-300-0011U	CONTACT ASSEMBLY, MOVING, REVERSING SWITCH	6
4	03-300-0024P	CONTACT ASSEMBLY, COLLECTOR HUB, SELECTOR SWITCH	3
5	03-300-0031P	CONTACT ASSEMBLY, COLLECTOR RING, SELECTOR SWITCH	3
6	03-300-0033U	CONTACT, STATIONARY, L.H./R.H., REVERSING SWITCH	9

PARTS LIST			
ITEM NO.	PART NUMBER	DESCRIPTION	QTY
7	03-300-0037P	COLLECTOR RING ASSEMBLY	3
8	03-300-0042P	COLLECTOR HUB ASSEMBLY	3
9	03-300-0046T	TAB, LOCKING	54



WESTERN ELECTRICAL SERVICES

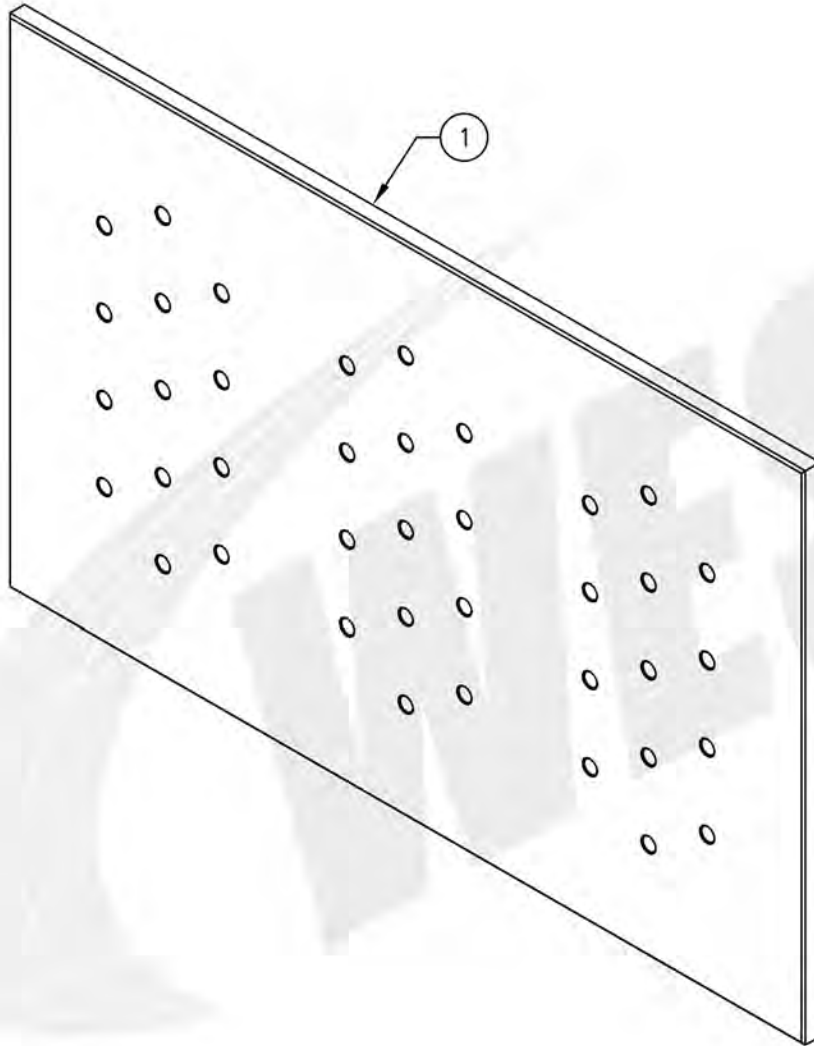
EQUIPMENT: SIEMENS TLH20

TITLE: CONTACT KIT, COMPLETE WITH STANDARD REVERSING SWITCH

DWG NO. 03-300-0001KU

REV: 0

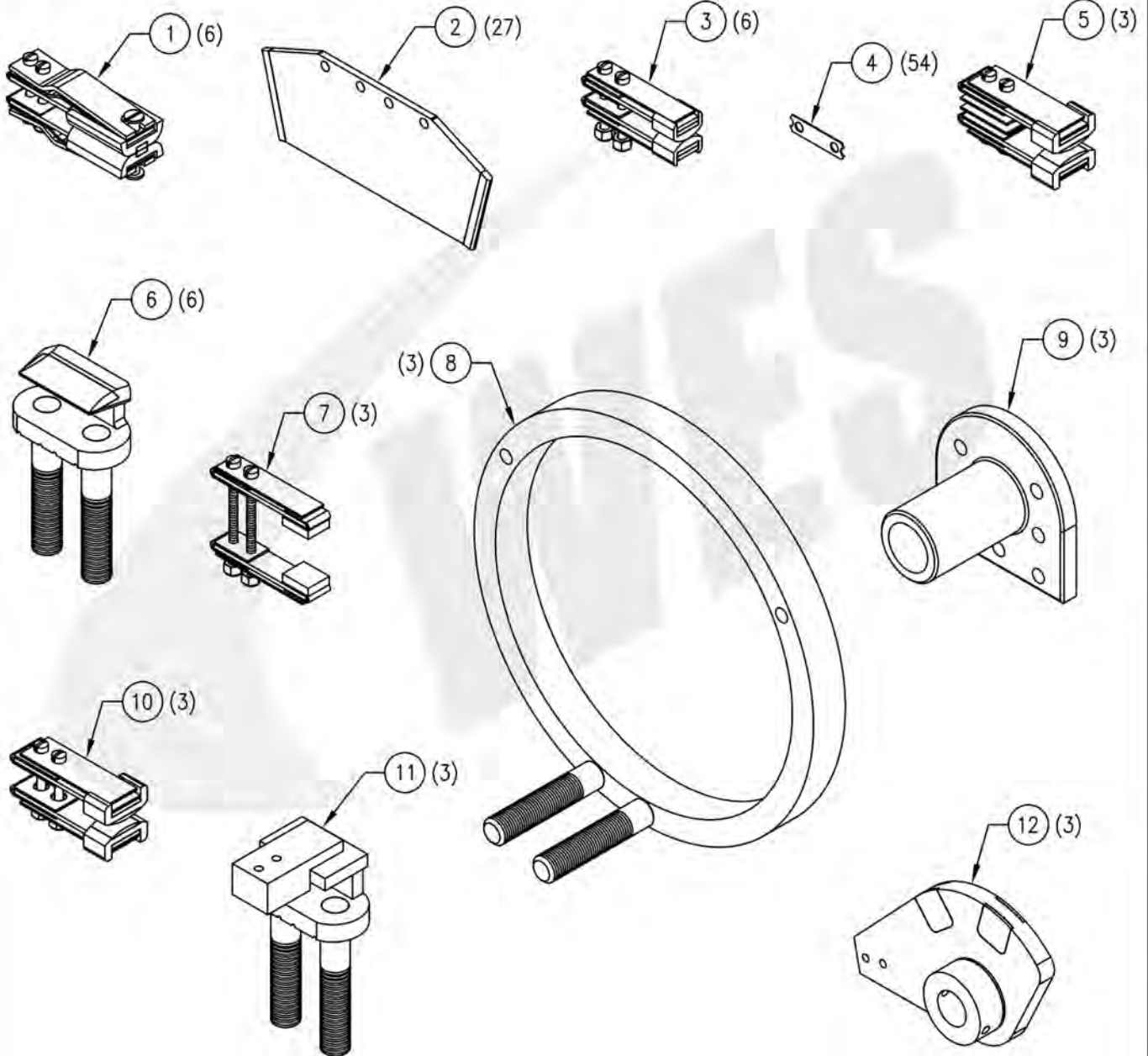
PARTS LIST			
ITEM NO.	PART NUMBER	DESCRIPTION	QTY
1	03-300-0054	BARRIER BOARD	1



WESTERN ELECTRICAL SERVICES	
EQUIPMENT: SIEMENS TLH20	
TITLE: NOT INCLUDED IN KIT	
DWG NO. 03-300-0000K-2	REV: 0

PARTS LIST			
ITEM NO.	PART NUMBER	DESCRIPTION	QTY
1	03-300-0001U	CONTACT ASSEMBLY, MOVING, SELECTOR SWITCH	6
2	03-300-0010U	CONTACT, STATIONARY, SELECTOR SWITCH	27
3	03-300-0031P	CONTACT ASSEMBLY, COLLECTOR RING	6
4	03-300-0046T	TAB, LOCKING	54
5	03-301-0001U	CONTACT ASSEMBLY, MOVING, REVERSING SWITCH	3
6	03-301-0012U	CONTACT, STATIONARY, L.H./R.H., REVERSING SWITCH	6

PARTS LIST			
ITEM NO.	PART NUMBER	DESCRIPTION	QTY
7	03-301-0014P	CONTACT ASSEMBLY, COLLECTOR HUB	3
8	03-301-0015P	COLLECTOR RING ASSEMBLY	3
9	03-301-0017P	HUB, COLLECTOR	3
10	03-301-0020U	CONTACT ASSEMBLY, MOVING, REVERSING SWITCH	3
11	03-301-0022P	CONTACT SUPPORT, STATIONARY, ISOLATED REVERSING SWITCH	3
12	03-301-0025U	CONTACT SUPPORT, MOVING, ISOLATED REVERSING SWITCH	3

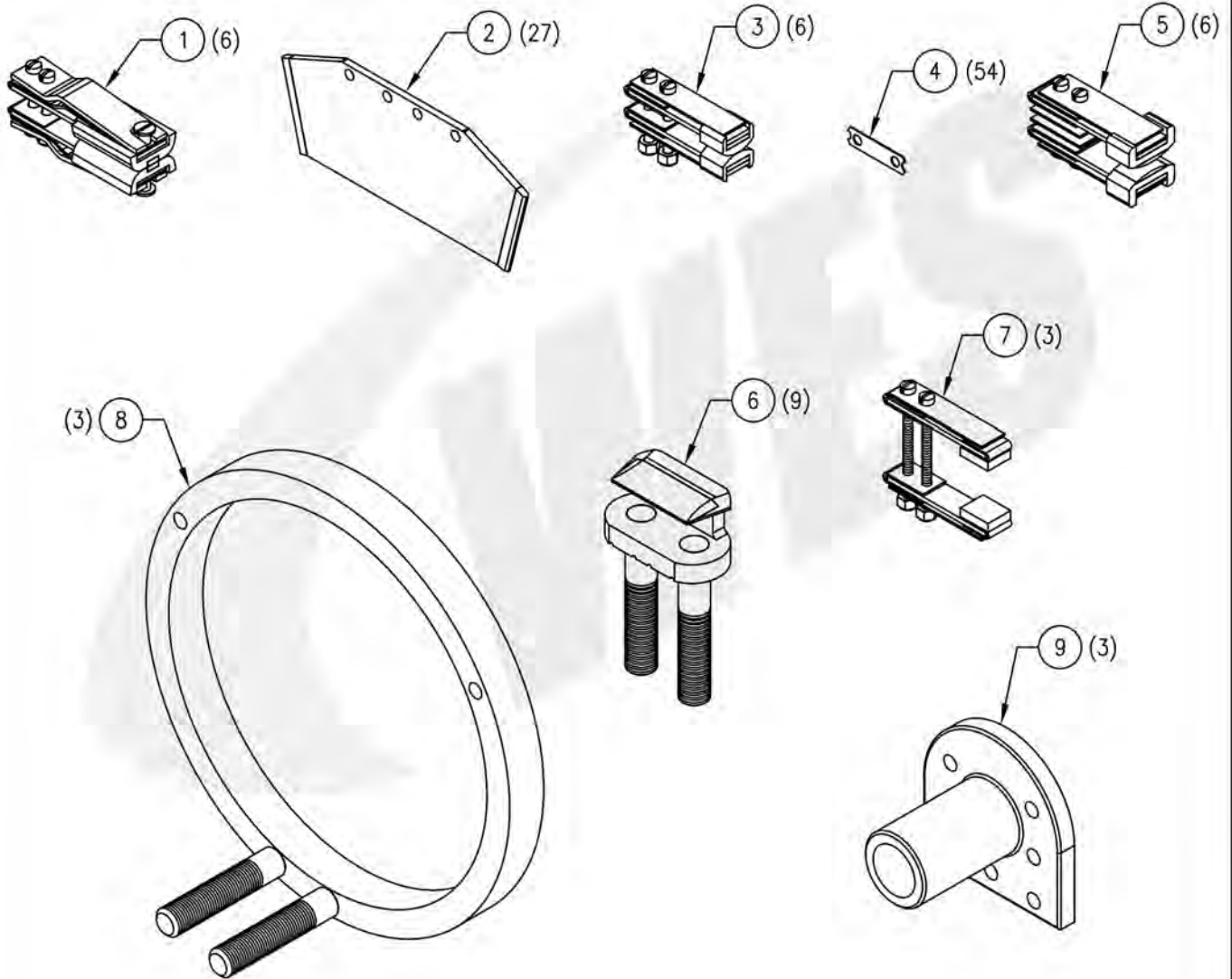


<b>WESTERN ELECTRICAL SERVICES</b>	
EQUIPMENT: SIEMENS TLH21	
TITLE: CONTACT KIT, COMPLETE WITH ISOLATED REVERSING SWITCH	
DWG NO. 03-301-0000KU	REV: 0



PARTS LIST			
ITEM NO.	PART NUMBER	DESCRIPTION	QTY
1	03-300-0001U	CONTACT ASSEMBLY, MOVING, SELECTOR SWITCH	6
2	03-300-0010U	CONTACT, STATIONARY, SELECTOR SWITCH	27
3	03-300-0031P	CONTACT ASSEMBLY, COLLECTOR RING	6
4	03-300-0046T	TAB, LOCKING	54
5	03-301-0001U	CONTACT ASSEMBLY, MOVING, REVERSING SWITCH	6
6	03-301-0012U	CONTACT, STATIONARY, L.H./R.H., REVERSING SWITCH	9

PARTS LIST			
ITEM NO.	PART NUMBER	DESCRIPTION	QTY
7	03-301-0014P	CONTACT ASSEMBLY, COLLECTOR HUB	3
8	03-301-0015P	COLLECTOR RING ASSEMBLY	3
9	03-301-0017P	HUB, COLLECTOR	3



WESTERN ELECTRICAL SERVICES

EQUIPMENT: SIEMENS TLH21

TITLE: CONTACT KIT, COMPLETE WITH STANDARD REVERSING SWITCH (UPGRADE)

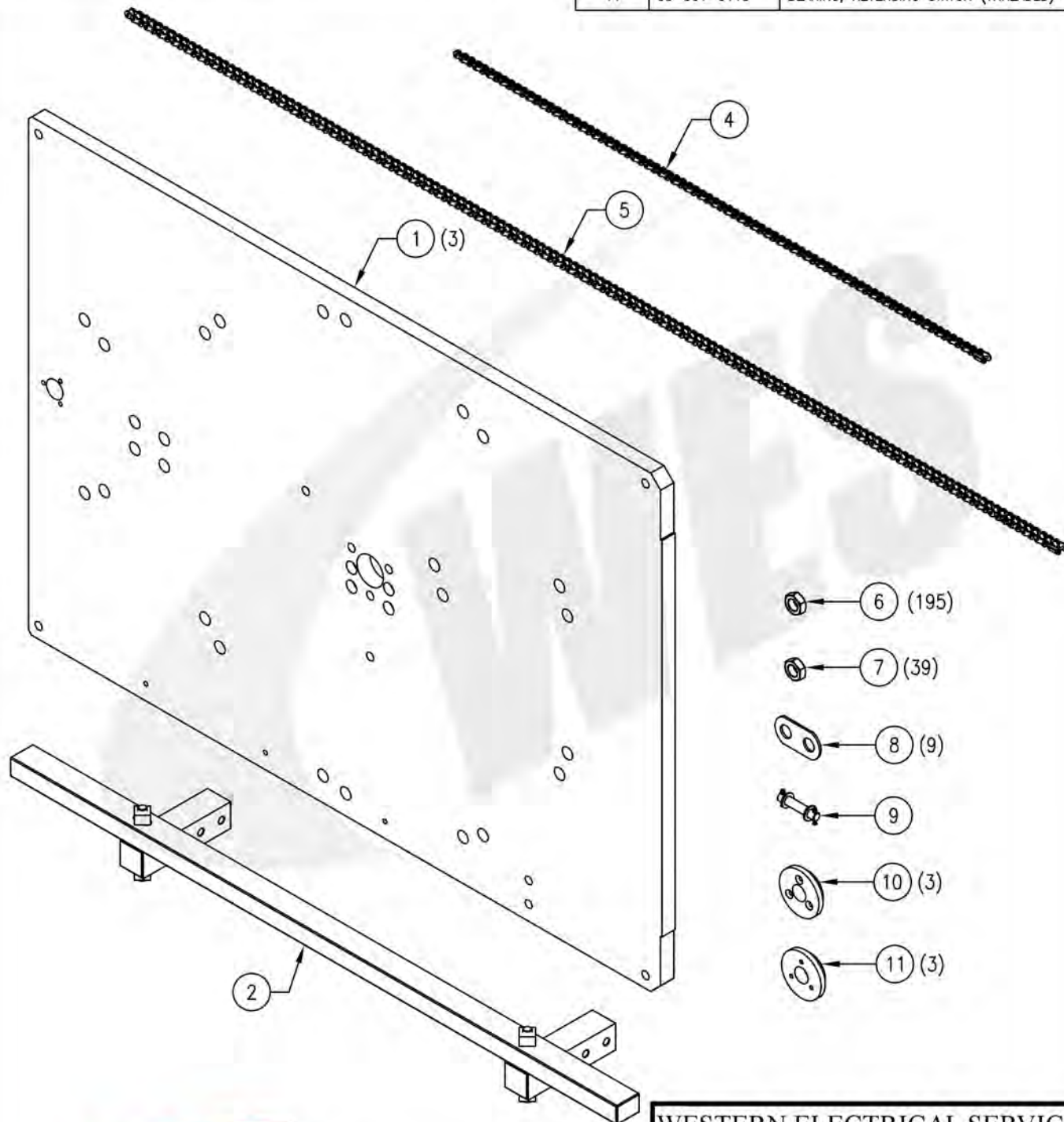
DWG NO. 03-301-0001KU

REV: 0



PARTS LIST			
ITEM NO.	PART NUMBER	DESCRIPTION	QTY
1	03-301-0079	PANEL, PHASE	3
2	03-301-0102	LEAD SUPPORT ASSEMBLY	1
3	03-301-0107	MOTOR & CAPACITOR KIT (not shown)	1
4	03-301-0108	DRIVE CHAIN, HAND OPERATION	1
5	03-301-0109	DRIVE CHAIN	1

PARTS LIST			
ITEM NO.	PART NUMBER	DESCRIPTION	QTY
6	03-301-0112	NUT, JAM, HEX, BRASS, .750-16UNF	195
7	03-301-0113	NUT, JAM, HEX, STEEL, .750-16UNF	39
8	03-301-0114	WASHER, 2-HOLE	9
9	03-301-0115	REVERSING SWITCH DRIVE PIN WITH HARDWARE	1
10	03-301-0117	BEARING, REVERSING SWITCH (C'SK)	3
11	03-301-0118	BEARING, REVERSING SWITCH (THREADED)	3



WESTERN ELECTRICAL SERVICES

EQUIPMENT: SIEMENS TLH21

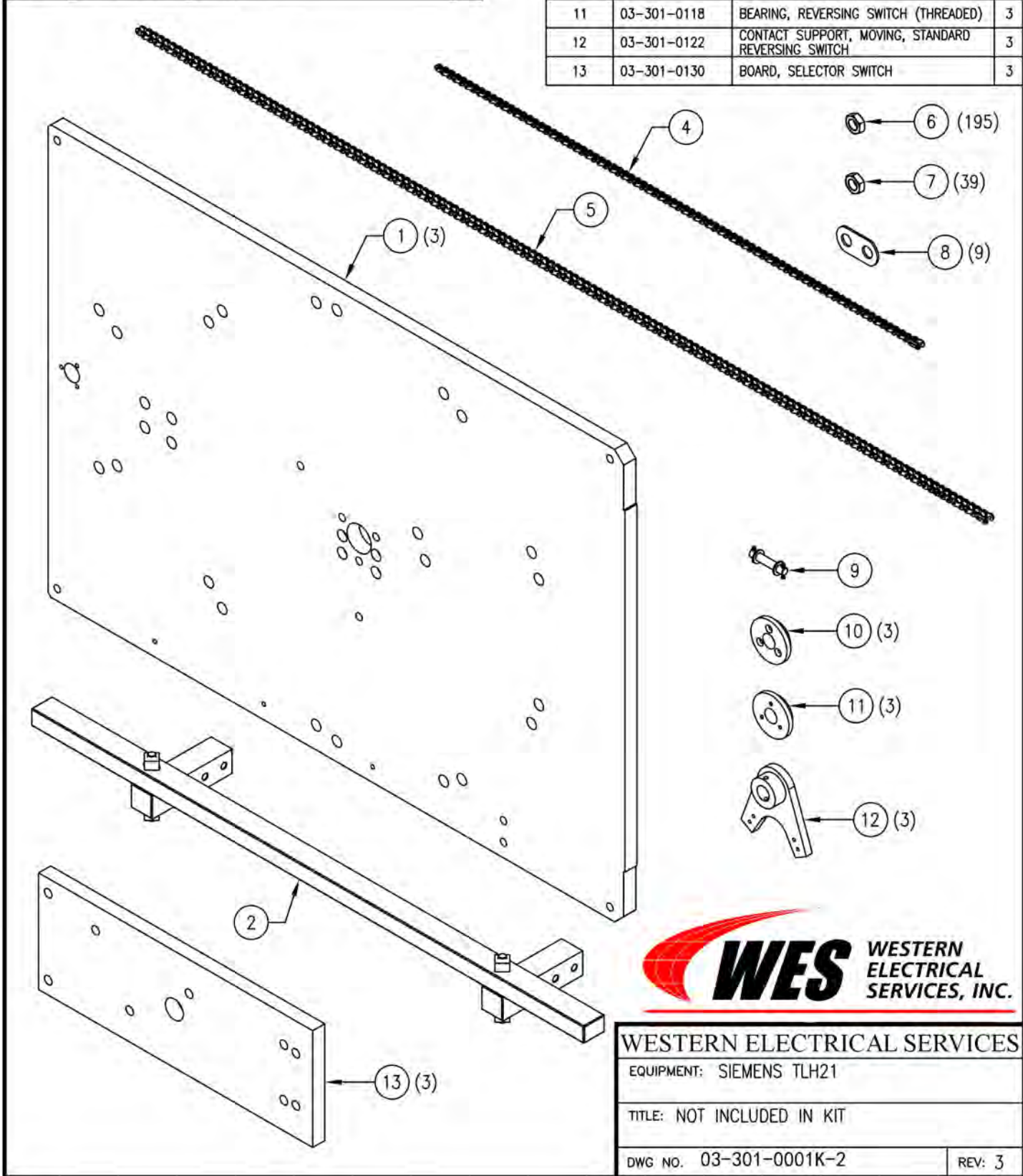
TITLE: NOT INCLUDED IN KIT

DWG NO. 03-301-0000K-2

REV: 1

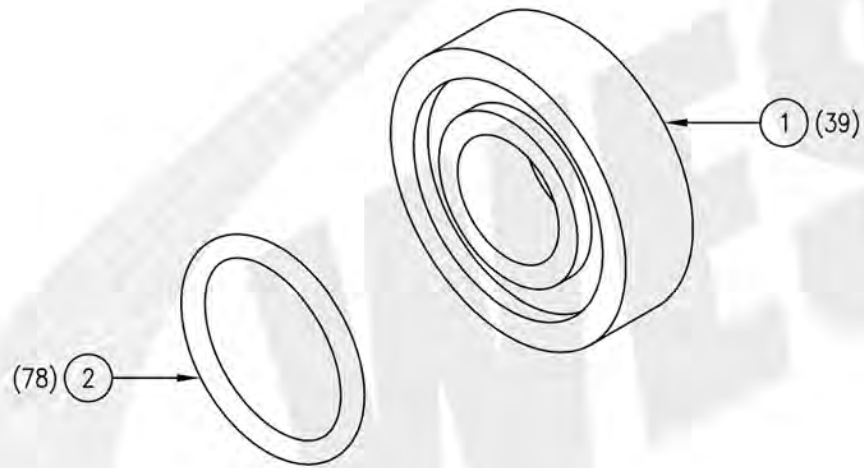
PARTS LIST			
ITEM NO.	PART NUMBER	DESCRIPTION	QTY
1	03-301-0079	PANEL, PHASE	3
2	03-301-0102	LEAD SUPPORT ASSEMBLY	1
3	03-301-0107	MOTOR & CAPACITOR KIT (not shown)	1
4	03-301-0108	DRIVE CHAIN, HAND OPERATION	1
5	03-301-0109	DRIVE CHAIN	1

PARTS LIST			
ITEM NO.	PART NUMBER	DESCRIPTION	QTY
6	03-301-0112	NUT, JAM, HEX, BRASS, .750-16UNF	195
7	03-301-0113	NUT, JAM, HEX, STEEL, .750-16UNF	39
8	03-301-0114	WASHER, 2-HOLE	9
9	03-301-0115	REVERSING SWITCH DRIVE PIN WITH HARDWARE	1
10	03-301-0117	BEARING, REVERSING SWITCH (C'SK)	3
11	03-301-0118	BEARING, REVERSING SWITCH (THREADED)	3
12	03-301-0122	CONTACT SUPPORT, MOVING, STANDARD REVERSING SWITCH	3
13	03-301-0130	BOARD, SELECTOR SWITCH	3



<b>WESTERN ELECTRICAL SERVICES</b>	
EQUIPMENT: SIEMENS TLH21	
TITLE: NOT INCLUDED IN KIT	
DWG NO. 03-301-0001K-2	REV: 3

PARTS LIST			
ITEM NO.	PART NUMBER	DESCRIPTION	QTY
1	03-301-0059	BUSHING	39
2	03-301-0060	O-RING	78



WESTERN ELECTRICAL SERVICES

EQUIPMENT: SIEMENS TLH21

TITLE: BUSHING & O-RING KIT  
FOR .75 DIAMETER STUD

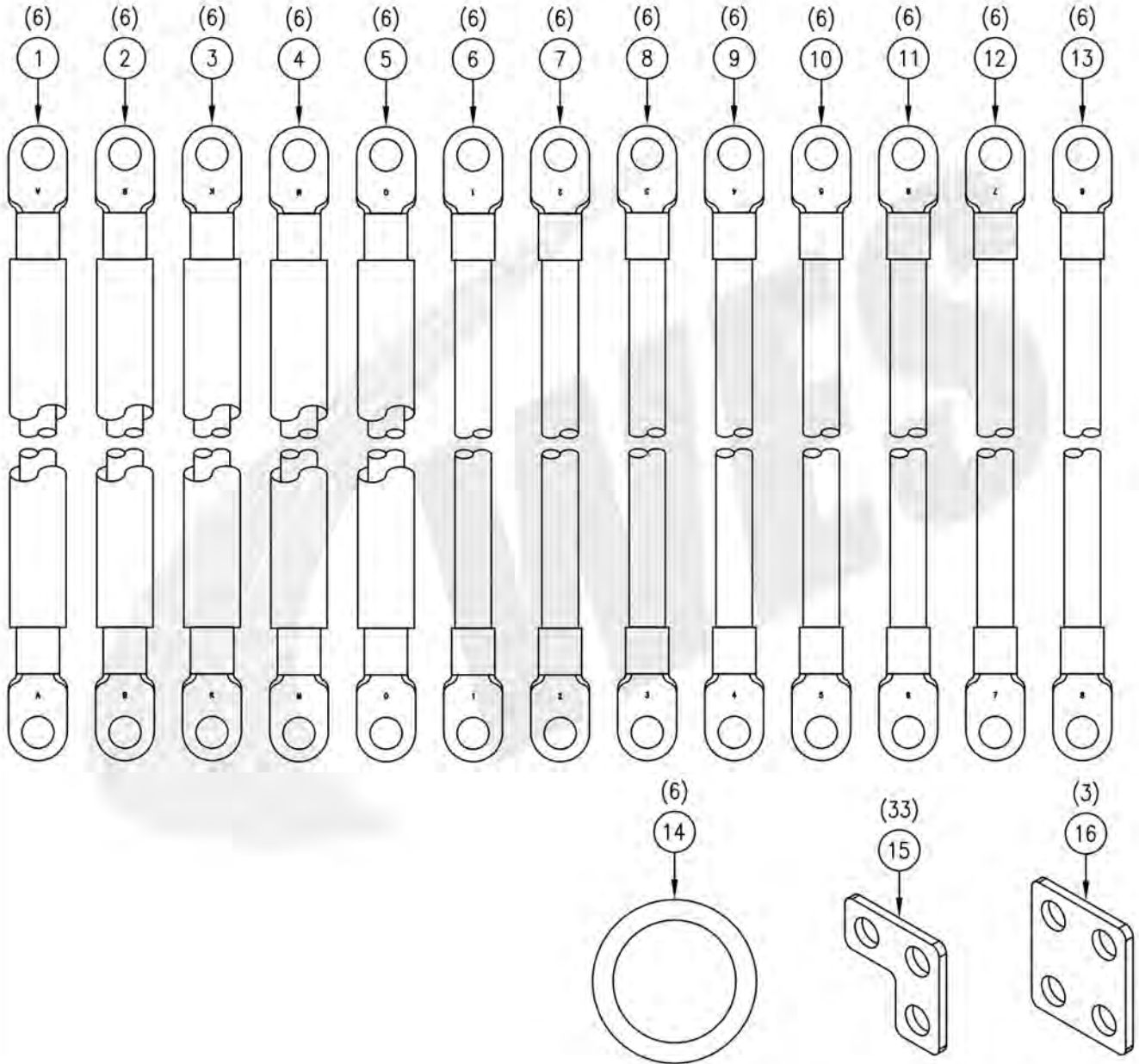
DWG NO. 03-301-0003K

REV: 0



PARTS LIST			
ITEM NO.	PART NUMBER	DESCRIPTION	QTY
1	03-301-0080	LEAD A	6
2	03-301-0081	LEAD B	6
3	03-301-0082	LEAD K	6
4	03-301-0083	LEAD M	6
5	03-301-0084	LEAD O	6
6	03-301-0085	LEAD 1	6
7	03-301-0086	LEAD 2	6
8	03-301-0087	LEAD 3	6

PARTS LIST			
ITEM NO.	PART NUMBER	DESCRIPTION	QTY
9	03-301-0088	LEAD 4	6
10	03-301-0089	LEAD 5	6
11	03-301-0090	LEAD 6	6
12	03-301-0091	LEAD 7	6
13	03-301-0092	LEAD 8	6
14	03-301-0096	SPACER TUBE	6
15	03-301-0119	PLATE, LEAD ADAPTER	33
16	03-301-0120	BUS BAR	3



**WESTERN ELECTRICAL SERVICES**

EQUIPMENT: SIEMENS TLH21  
STANDARD REVERSING SWITCH

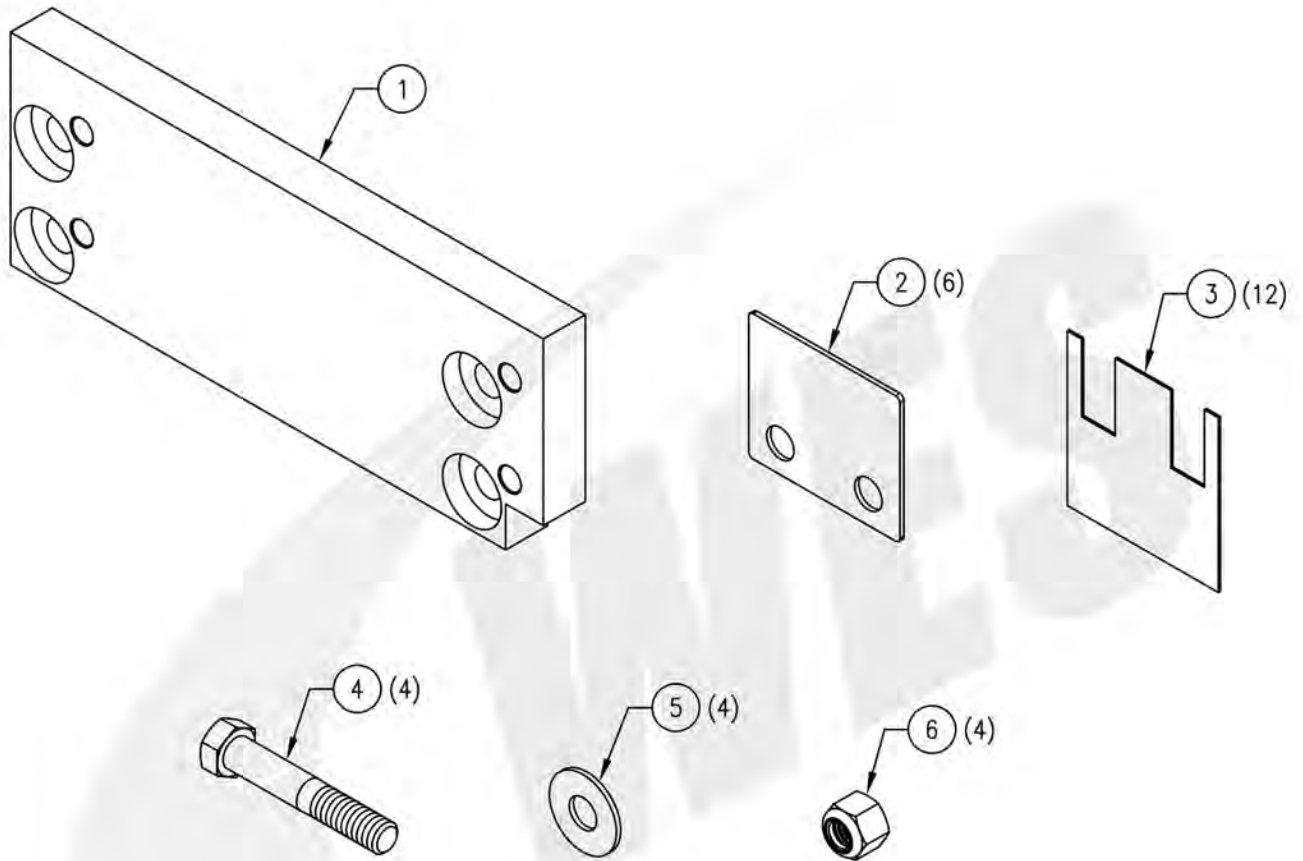
TITLE: LEAD KIT

DWG NO. 03-301-0006K

REV: 1



PARTS LIST			
ITEM NO.	PART NUMBER	DESCRIPTION	QTY
1	03-301-0097	PLATE, BASE	1
2	03-301-0098	SHIM	6
3	03-301-0099	SHIM	12
4	99-102-1530	SCREW, HEX HEAD, STEEL, .375-24UNF X 2.25 LONG	4
5	99-207-0017	WASHER, FLAT, STAINLESS STEEL .406 ID X 1.00 OD X .06 THICK	4
6	99-302-0015	NUT, LOCK, ESNA, STEEL, .375-24UNF	4



WESTERN ELECTRICAL SERVICES

EQUIPMENT: SIEMENS TLH21

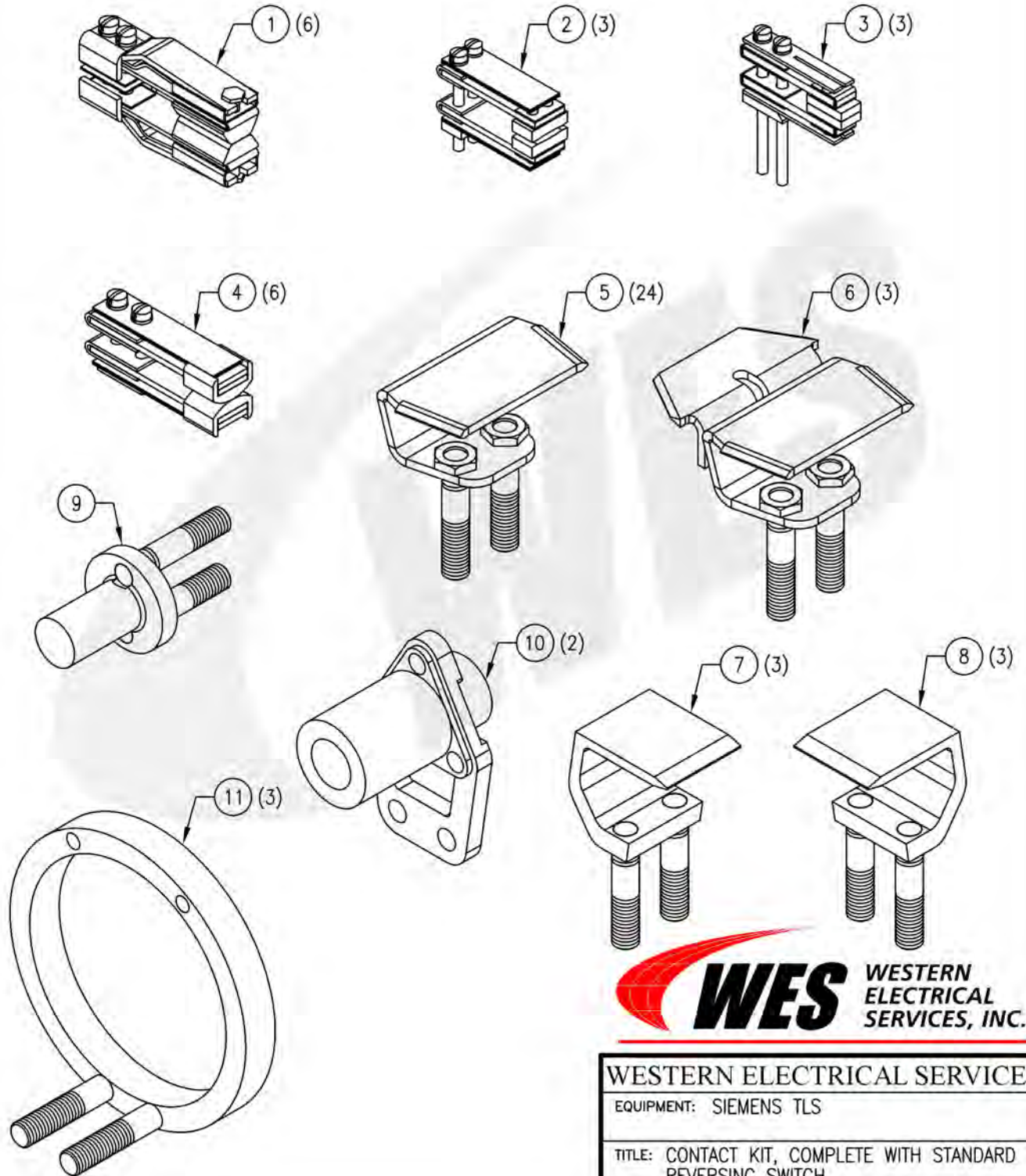
TITLE: MOTOR MOUNTING KIT

DWG NO. 03-301-0007K

REV: 0

PARTS LIST			
ITEM NO.	PART NUMBER	DESCRIPTION	QTY
1	03-305-0001	CONTACT ASSEMBLY, MOVING, SELECTOR SWITCH	6
2	03-305-0006	CONTACT ASSEMBLY, COLLECTOR RING	3
3	03-305-0016	CONTACT ASSEMBLY, COLLECTOR HUB	3
4	03-305-0020	CONTACT ASSEMBLY, MOVING, SELECTOR SWITCH	6
5	03-305-0021	CONTACT ASSEMBLY, STATIONARY, SELECTOR SWITCH	24
6	03-305-0029	CONTACT ASSEMBLY, STATIONARY, NEUTRAL	3

PARTS LIST			
ITEM NO.	PART NUMBER	DESCRIPTION	QTY
7	03-305-0035P	CONTACT, STATIONARY, R.H., REVERSING SWITCH	3
8	03-305-0038P	CONTACT, STATIONARY, L.H., REVERSING SWITCH	3
9	03-305-0042	HUB, COLLECTOR (PHASE C)	1
10	03-305-0044	HUB, COLLECTOR (PHASE A & B)	2
11	03-305-0052	COLLECTOR RING ASSEMBLY	3



**WES** WESTERN ELECTRICAL SERVICES, INC.

WESTERN ELECTRICAL SERVICES

EQUIPMENT: SIEMENS TLS

TITLE: CONTACT KIT, COMPLETE WITH STANDARD REVERSING SWITCH

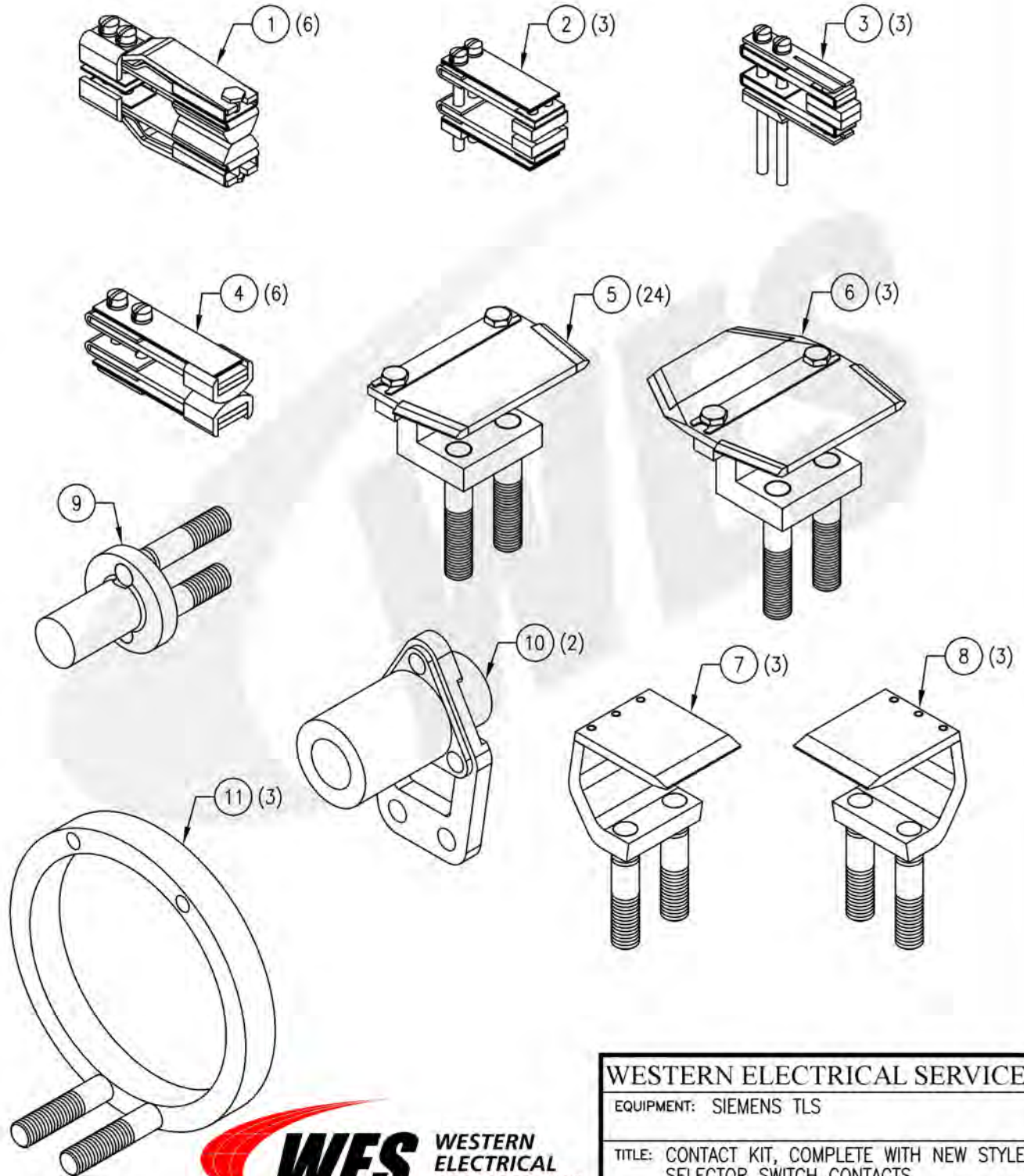
DWG NO. 03-305-0000K

REV: 0



PARTS LIST			
ITEM NO.	PART NUMBER	DESCRIPTION	QTY
1	03-305-0001U	CONTACT ASSEMBLY, MOVING, SELECTOR SWITCH	6
2	03-305-0006P	CONTACT ASSEMBLY, COLLECTOR RING	3
3	03-305-0016P	CONTACT ASSEMBLY, COLLECTOR HUB	3
4	03-305-0020U	CONTACT ASSEMBLY, MOVING, SELECTOR SWITCH	6
5	03-305-0073U	CONTACT ASSEMBLY, STATIONARY, SELECTOR SWITCH	24
6	03-305-0065U	CONTACT ASSEMBLY, STATIONARY, NEUTRAL, SELECTOR/REVERSING SWITCH	3

PARTS LIST			
ITEM NO.	PART NUMBER	DESCRIPTION	QTY
7	03-305-0035U	CONTACT, STATIONARY, R.H., REVERSING SWITCH	3
8	03-305-0038U	CONTACT, STATIONARY, L.H., REVERSING SWITCH	3
9	03-305-0042P	HUB, COLLECTOR (PHASE C)	1
10	03-305-0044P	HUB, COLLECTOR (PHASE A & B)	2
11	03-305-0052P	COLLECTOR RING ASSEMBLY	3

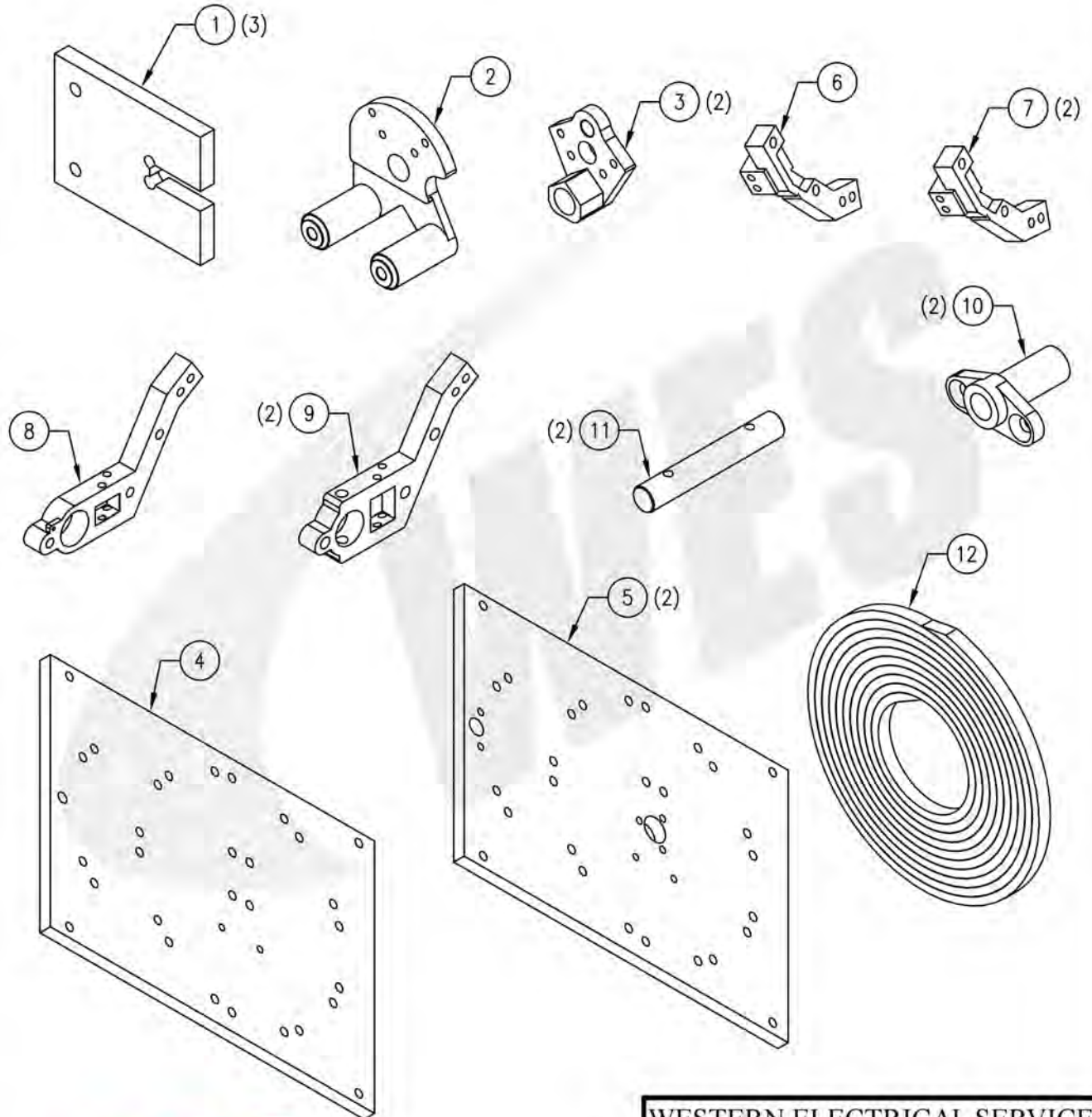


WESTERN ELECTRICAL SERVICES	
EQUIPMENT: SIEMENS TLS	
TITLE: CONTACT KIT, COMPLETE WITH NEW STYLE SELECTOR SWITCH CONTACTS	
DWG NO. 03-305-0001KU	REV: 0



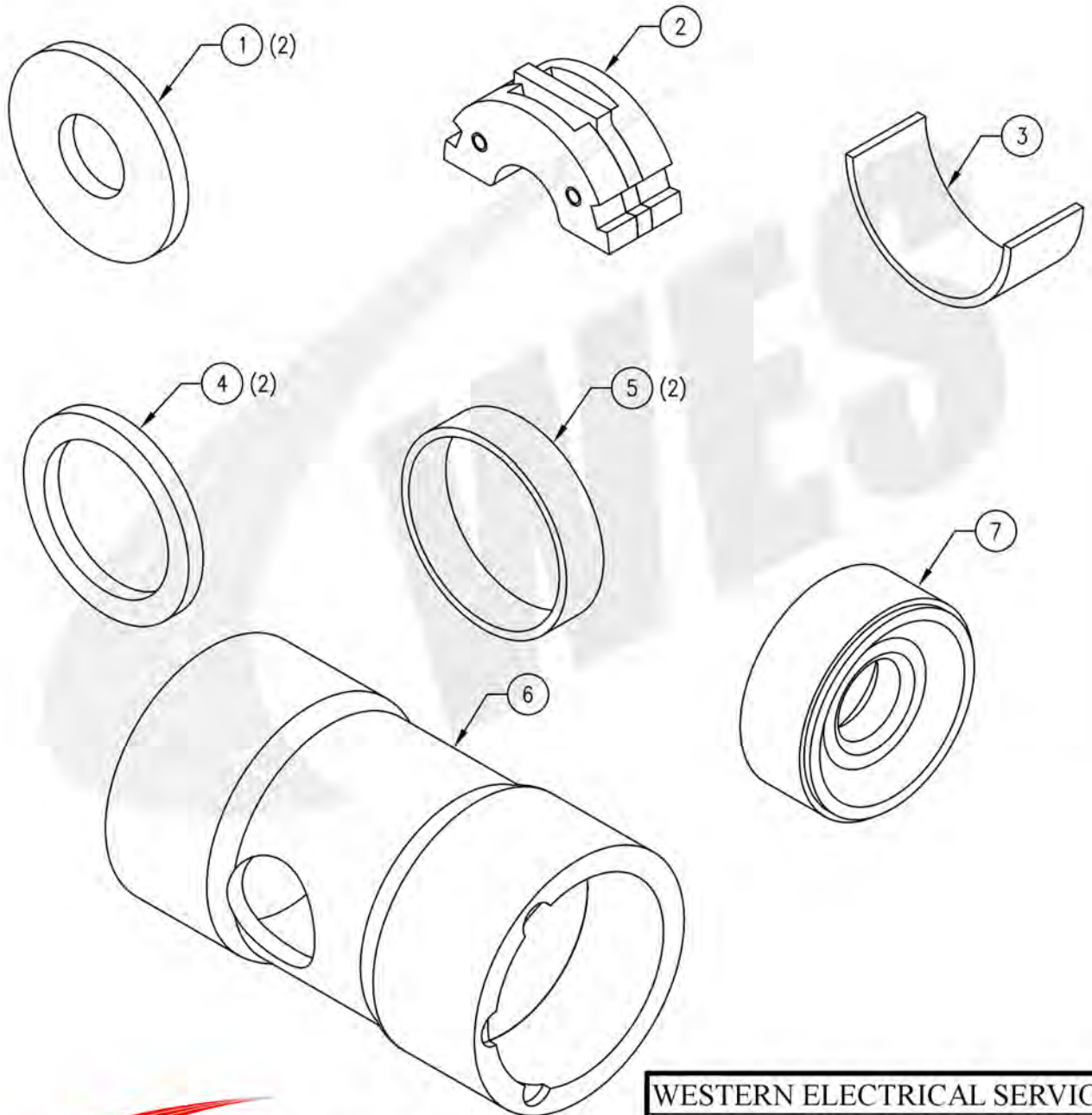
PARTS LIST			
ITEM NO.	PART NUMBER	DESCRIPTION	QTY
1	03-305-0032	DRIVE ARM, REVERSING SWITCH	3
2	03-305-0033	CONTACT SUPPORT, REVERSING SWITCH (PHASE A)	1
3	03-305-0034	CONTACT SUPPORT, REVERSING SWITCH (PHASE B & C)	2
4	03-305-0040	PANEL, PHASE (PANEL C)	1
5	03-305-0041	PANEL, PHASE (PHASE A & B)	2
6	03-305-0046	SUPPORT, CONTACT FINGER (PHASE C)	1

PARTS LIST			
ITEM NO.	PART NUMBER	DESCRIPTION	QTY
7	03-305-0047	SUPPORT, CONTACT FINGER (PHASE A & B)	2
8	03-305-0048	SUPPORT, CONTACT FINGER (PHASE C)	1
9	03-305-0049	SUPPORT, CONTACT FINGER (PHASE A & B)	2
10	03-305-0050	BEARING (PHASE A & B)	2
11	03-305-0051	DRIVE SHAFT, REVERSING SWITCH (PHASE A & B)	2
12	03-305-0076	GASKET, DOOR	1



<b>WESTERN ELECTRICAL SERVICES</b>	
EQUIPMENT: SIEMENS TLS	
TITLE: NOT INCLUDED IN KIT	
DWG NO. 03-305-0000K-2	REV: 1

PARTS LIST			
ITEM NO.	PART NUMBER	DESCRIPTION	QTY
1	03-302-0013	WASHER, BAFFLE	2
2	03-302-0014	ARCING NOZZLE, UPPER	1
3	03-302-0018	SPACER, ARCING NOZZLE	1
4	03-302-0019	WASHER, BAFFLE	2
5	03-302-0023	SPACER, BAFFLE	2
6	03-302-0029	TUBE, INTERRUPTER	1
7	03-302-0030	BUSHING, THROAT	1



WESTERN ELECTRICAL SERVICES

EQUIPMENT: SIEMENS SD015 & 23

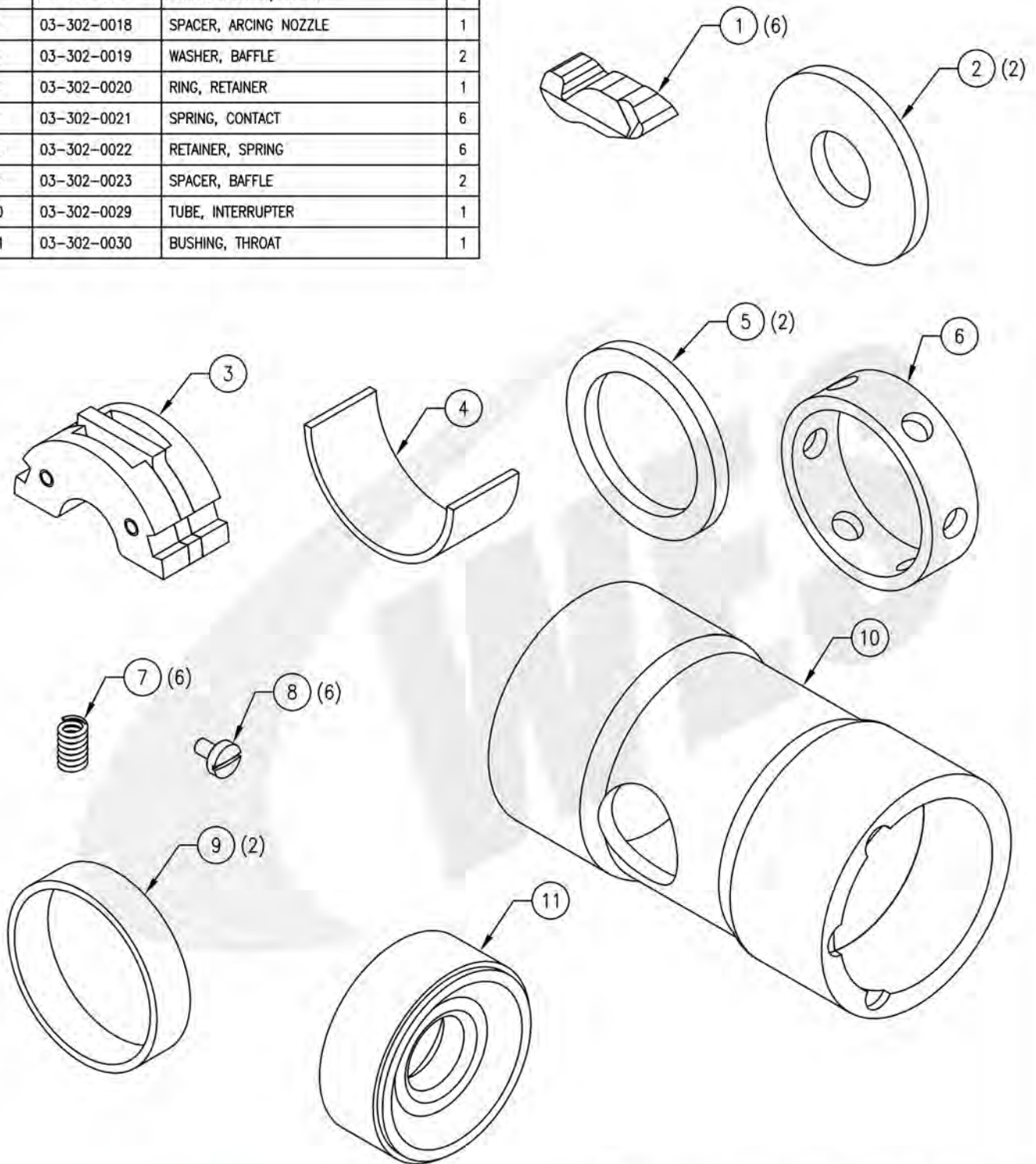
TITLE: KIT, INTERRUPTER

DWG NO. 03-302-0003K

REV: 0



PARTS LIST			
ITEM NO.	PART NUMBER	DESCRIPTION	QTY
1	03-302-0003P	CONTACT FINGER ASSEMBLY, STATIONARY	6
2	03-302-0013	WASHER, BAFFLE	2
3	03-302-0014	ARCING NOZZLE, UPPER	1
4	03-302-0018	SPACER, ARCING NOZZLE	1
5	03-302-0019	WASHER, BAFFLE	2
6	03-302-0020	RING, RETAINER	1
7	03-302-0021	SPRING, CONTACT	6
8	03-302-0022	RETAINER, SPRING	6
9	03-302-0023	SPACER, BAFFLE	2
10	03-302-0029	TUBE, INTERRUPTER	1
11	03-302-0030	BUSHING, THROAT	1



**WESTERN  
ELECTRICAL  
SERVICES, INC.**

**WESTERN ELECTRICAL SERVICES**

EQUIPMENT: SIEMENS SD015 & 23

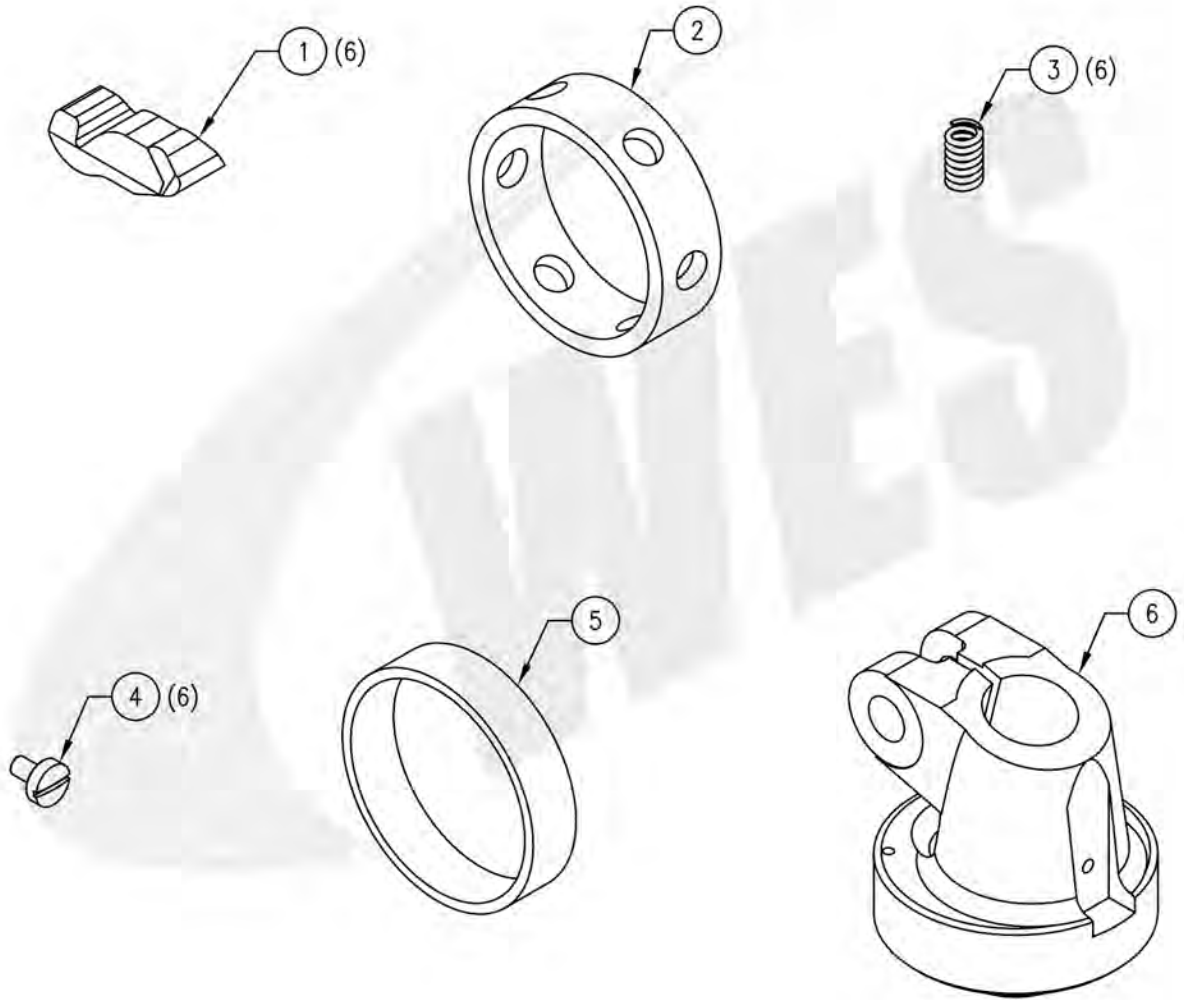
TITLE: KIT, INTERRUPTER & STATIONARY CONTACT

DWG NO. 03-302-0004K

REV: 0



PARTS LIST			
ITEM NO.	PART NUMBER	DESCRIPTION	QTY
1	03-302-0003P	CONTACT FINGER ASSEMBLY, STATIONARY	6
2	03-302-0020	RING, RETAINER	1
3	03-302-0021	SPRING, CONTACT	6
4	03-302-0022	RETAINER, SPRING	6
5	03-302-0023	SPACER, BAFFLE	1
6	03-302-0032P	ADAPTER, BUSHING	1



**WESTERN ELECTRICAL SERVICES**

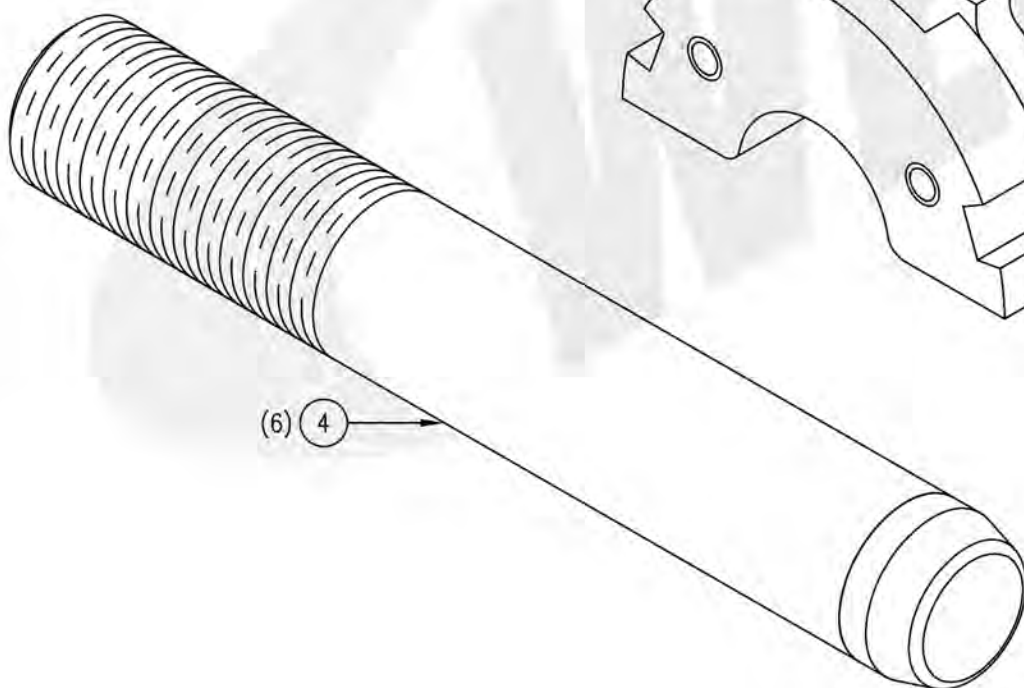
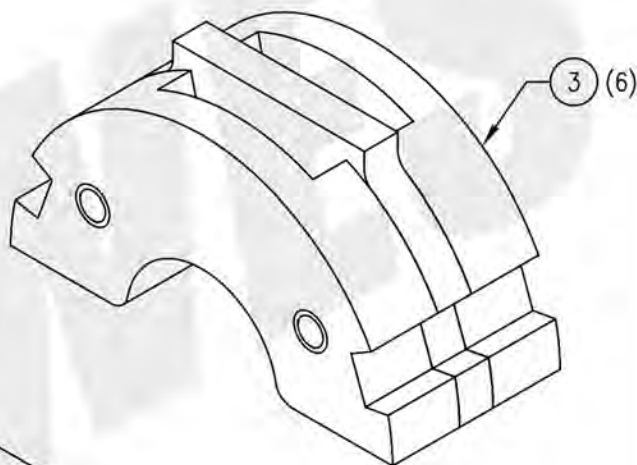
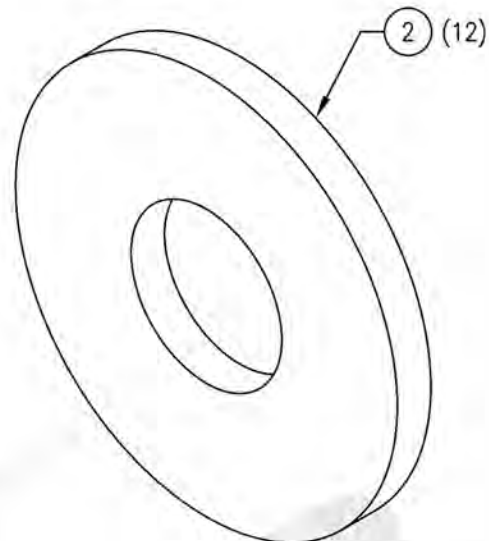
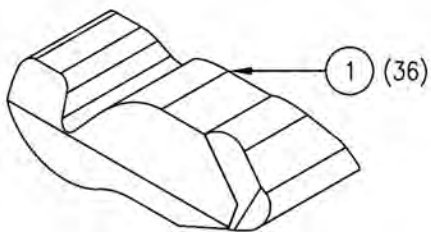
EQUIPMENT: SIEMENS SD015 & 23 TC-2

TITLE: KIT, BUSHING ADAPTER & STATIONARY CONTACT

DWG NO. 03-302-0005K

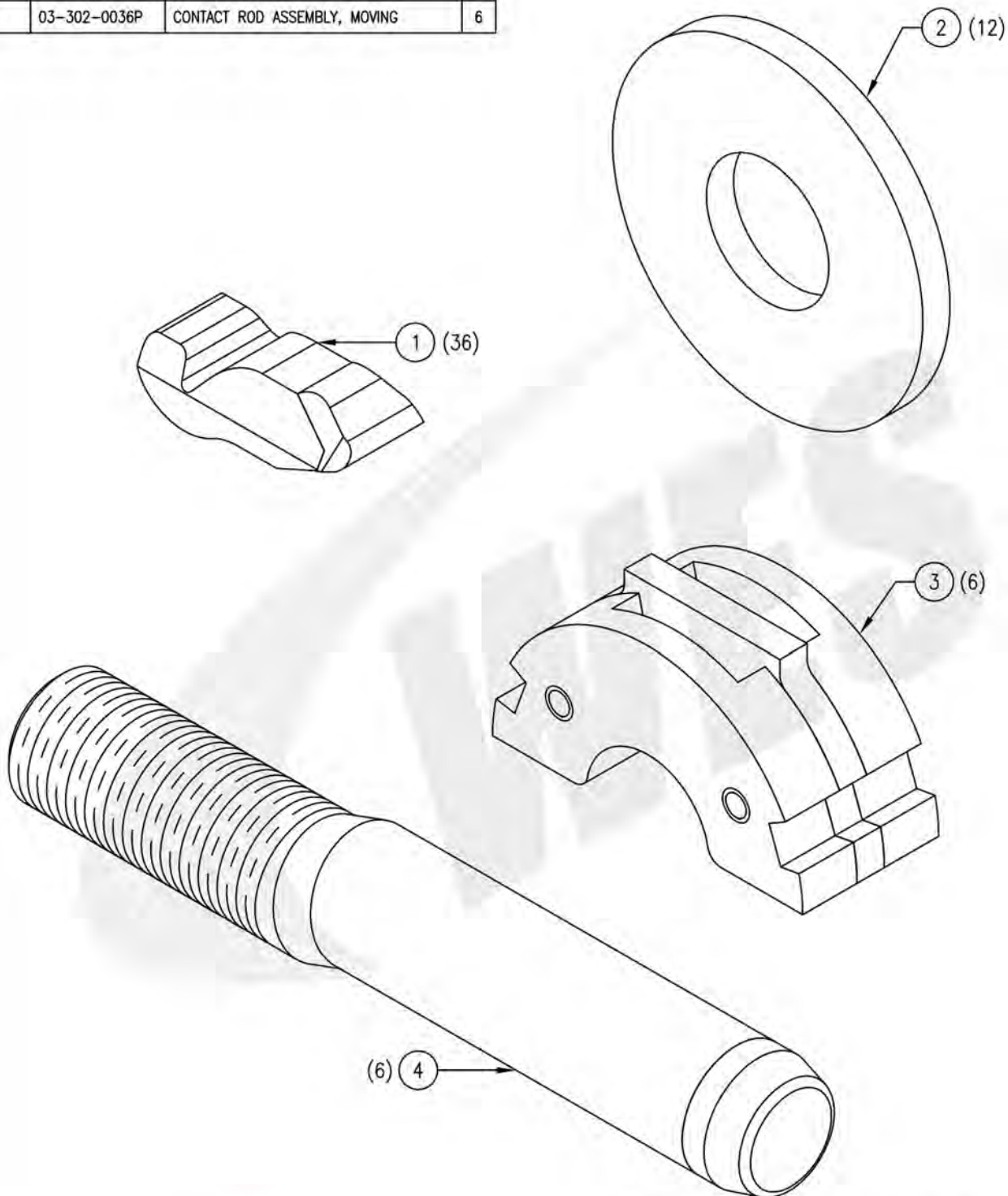
REV: 0

PARTS LIST			
ITEM NO.	PART NUMBER	DESCRIPTION	QTY
1	03-302-0003P	CONTACT FINGER ASSEMBLY, STATIONARY	36
2	03-302-0013	WASHER, BAFFLE	12
3	03-302-0014	ARCING NOZZLE, UPPER	6
4	03-302-0034	CONTACT ROD ASSEMBLY, MOVING	6



WESTERN ELECTRICAL SERVICES	
EQUIPMENT: SIEMENS SD015-250	
TITLE: KIT, BAFFLE & CONTACT	
DWG NO. 03-302-0000K	REV: 0

PARTS LIST			
ITEM NO.	PART NUMBER	DESCRIPTION	QTY
1	03-302-0003P	CONTACT FINGER ASSEMBLY, STATIONARY	36
2	03-302-0013	WASHER, BAFFLE	12
3	03-302-0014	ARCING NOZZLE, UPPER	6
4	03-302-0036P	CONTACT ROD ASSEMBLY, MOVING	6



WESTERN ELECTRICAL SERVICES

EQUIPMENT: SIEMENS SD015-500 TC-1

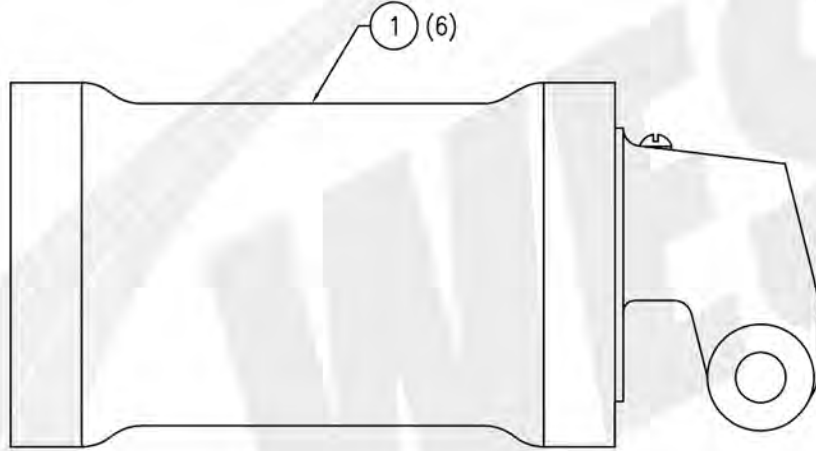
TITLE: KIT, BAFFLE & CONTACT

DWG NO. 03-302-0002K

REV: 0

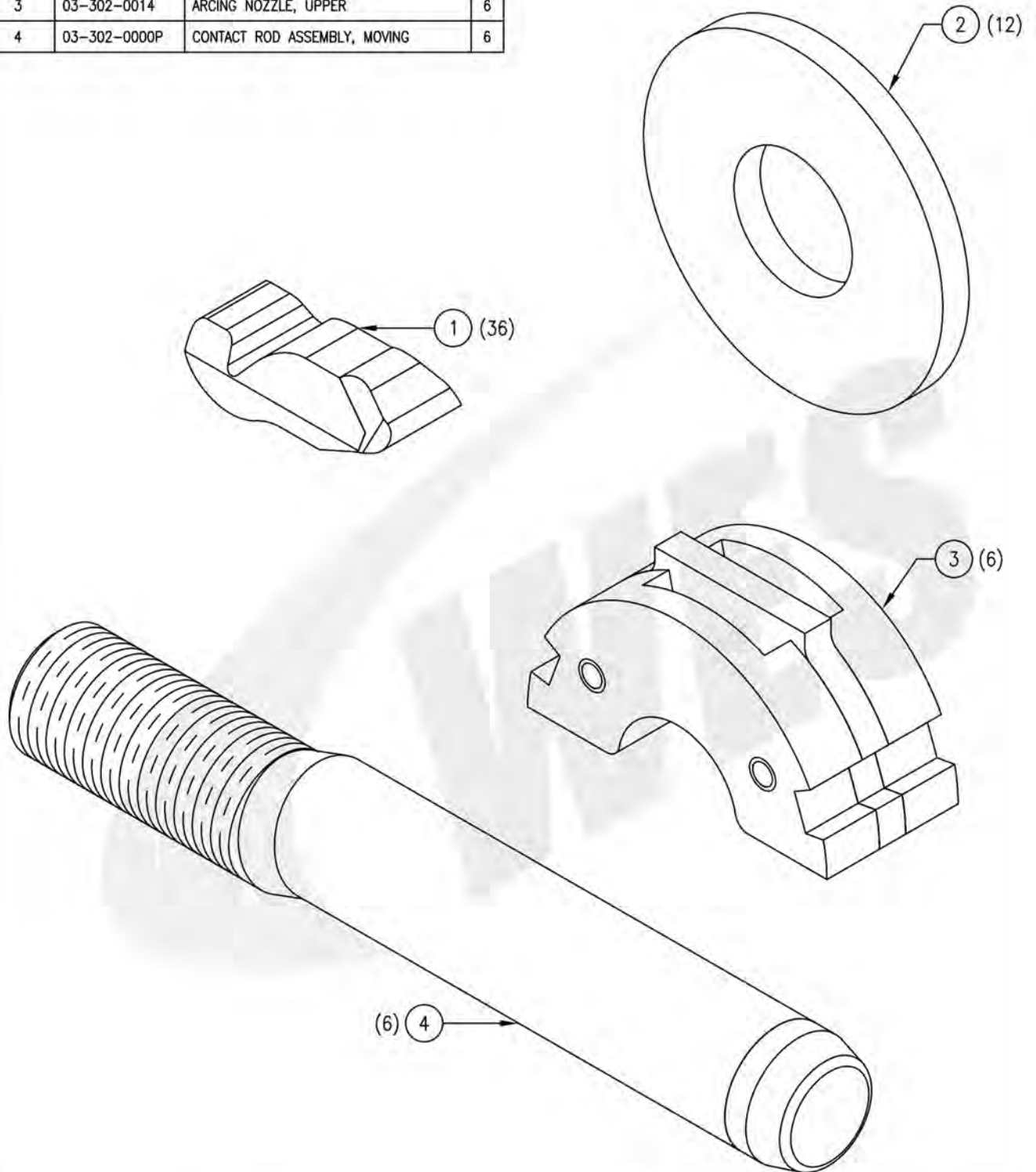


PARTS LIST			
ITEM NO.	PART NUMBER	DESCRIPTION	QTY
1	03-302-0027	INTERRUPTER ASSEMBLY	6



WESTERN ELECTRICAL SERVICES	
EQUIPMENT: SIEMENS SD015-500 TC-1 / TC-2	
TITLE: NOT INCLUDED IN KIT	
DWG NO. 03-302-0001K-2	REV: 0

PARTS LIST			
ITEM NO.	PART NUMBER	DESCRIPTION	QTY
1	03-302-0003P	CONTACT FINGER ASSEMBLY, STATIONARY	36
2	03-302-0013	WASHER, BAFFLE	12
3	03-302-0014	ARCING NOZZLE, UPPER	6
4	03-302-0000P	CONTACT ROD ASSEMBLY, MOVING	6



WESTERN ELECTRICAL SERVICES

EQUIPMENT: SIEMENS SD023-500 TC-2

TITLE: KIT, BAFFLE & CONTACT

DWG NO. 03-302-0001K

REV: 0

# **Waukesha**

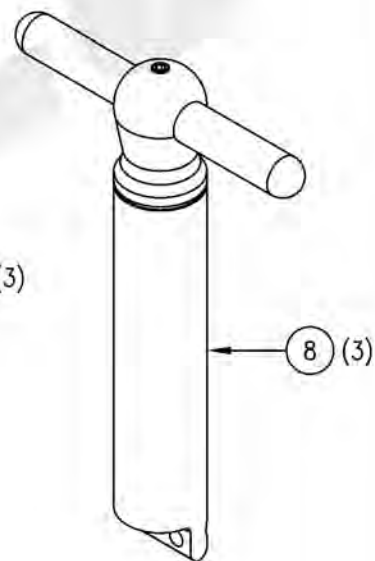
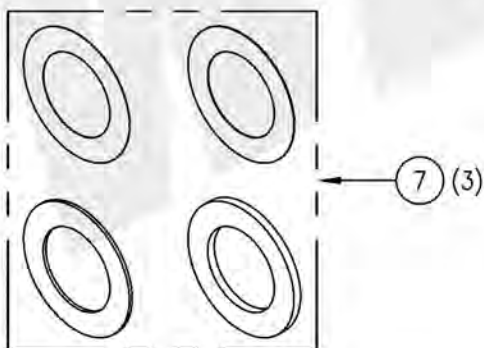
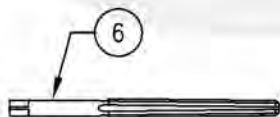
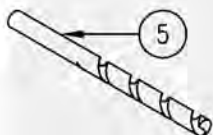
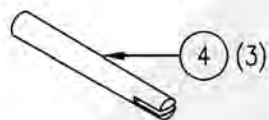
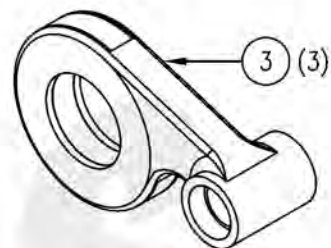
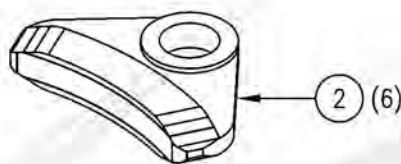
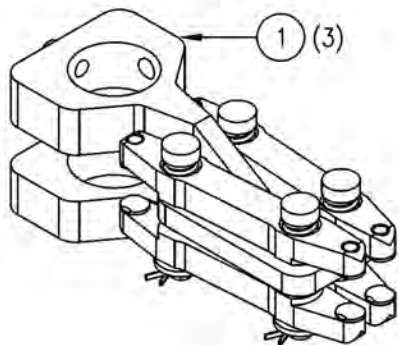
## **Load Tap Changer**

### **Replacement Parts**



PARTS LIST			
ITEM NO.	PART NUMBER	DESCRIPTION	QTY
1	07-700-0001U	CONTACT ASSEMBLY, MOVING, REVERSING SWITCH	3
2	07-700-0010U	CONTACT, STATIONARY, REVERSING SWITCH	6
3	07-700-0011U	RING, COLLECTOR	3
4	07-700-0012	TAPERED PIN	3
5	07-700-0013	DRILL BIT	1

PARTS LIST			
ITEM NO.	PART NUMBER	DESCRIPTION	QTY
6	07-700-0014	TAPERED REAMER	1
7	07-700-0015	SHIM PACK	3
8	07-700-0020	CONTACT SHAFT ASSEMBLY	3
9	07-700-0023	INSTALLATION INSTRUCTIONS	1



WESTERN ELECTRICAL SERVICES

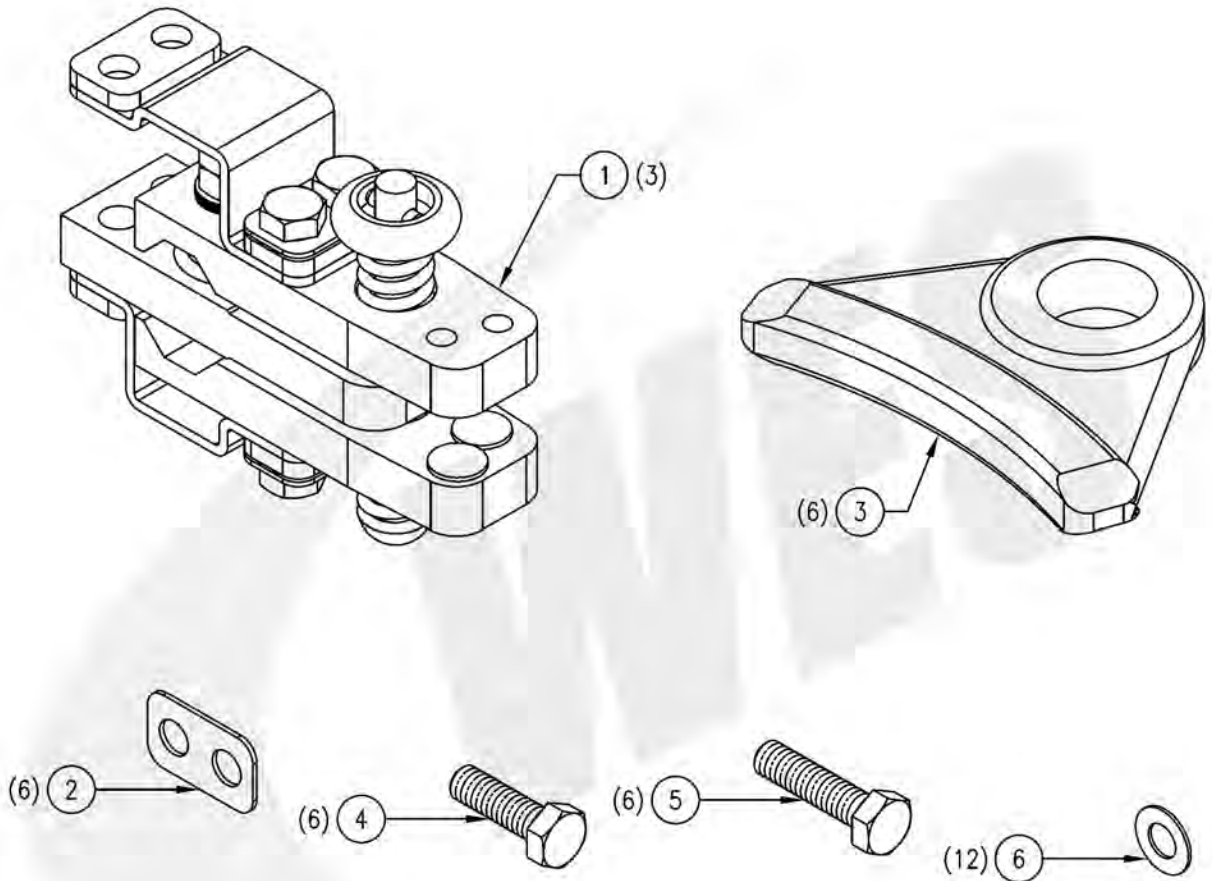
EQUIPMENT: WAUKESHA UZD

TITLE: KIT, REVERSING SWITCH

DWG NO. 07-700-0000KU

REV: 0

PARTS LIST			
ITEM NO.	PART NUMBER	DESCRIPTION	QTY
1	07-700-0025	ARM, REVERSING SWITCH, CHANGEOVER RETROFIT	3
2	07-700-0033	WASHER, 2 HOLE	6
3	07-700-0039P	CONTACT, STATIONARY, REVERSING SWITCH	6
4	99-126-0309	SCREW, HEX HEAD, METRIC, STEEL, M5X.8 X 16MM LONG	6
5	99-126-0311	SCREW, HEX HEAD, METRIC, STEEL, M5X.8 X 20MM LONG	6
6	99-203-0024	WASHER, BELLEVILLE, HIGH CARBON STL, ID .204 X OD .394 X .02 THK	12



WESTERN ELECTRICAL SERVICES

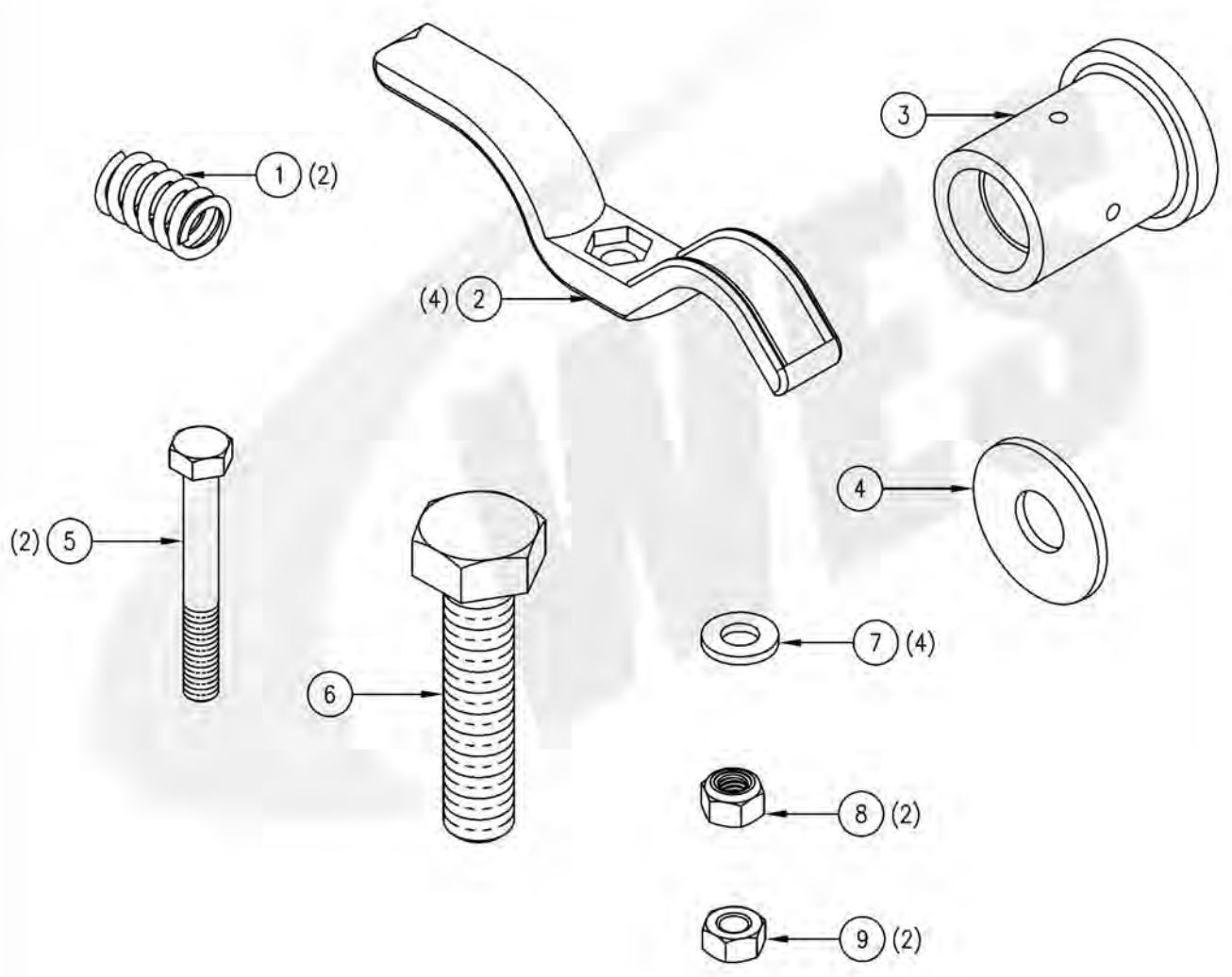
EQUIPMENT: WAUKESHA UZD

TITLE: KIT, REVERSING SWITCH

DWG NO. 07-700-0001K

REV: 0

PARTS LIST			
ITEM NO.	PART NUMBER	DESCRIPTION	QTY
1	07-700-0032	SPRING, CONTACT	2
2	07-700-0040P	CONTACT, BOWTIE	4
3	07-700-0041P	TUBE, CONTACT	1
4	07-700-0042	WASHER, BELLEVILLE	1
5	99-126-0316	SCREW, HEX HEAD, METRIC, STEEL, M5X.8, 40MM LONG	2
6	99-130-0617	SCREW, HEX HEAD, METRIC, STAINLESS STEEL, M10X1.5, 45MM LONG	1
7	99-201-0061	WASHER, FLAT, STEEL ID .21 X OD .39 X .04 THICK	4
8	99-311-0003	NUT, LOCK, NYLON-INSERT, METRIC, STAINLESS STEEL, M5X.8	2
9	99-312-0003	NUT, HEX, PLAIN, METRIC, STAINLESS STEEL, M5X.8	2

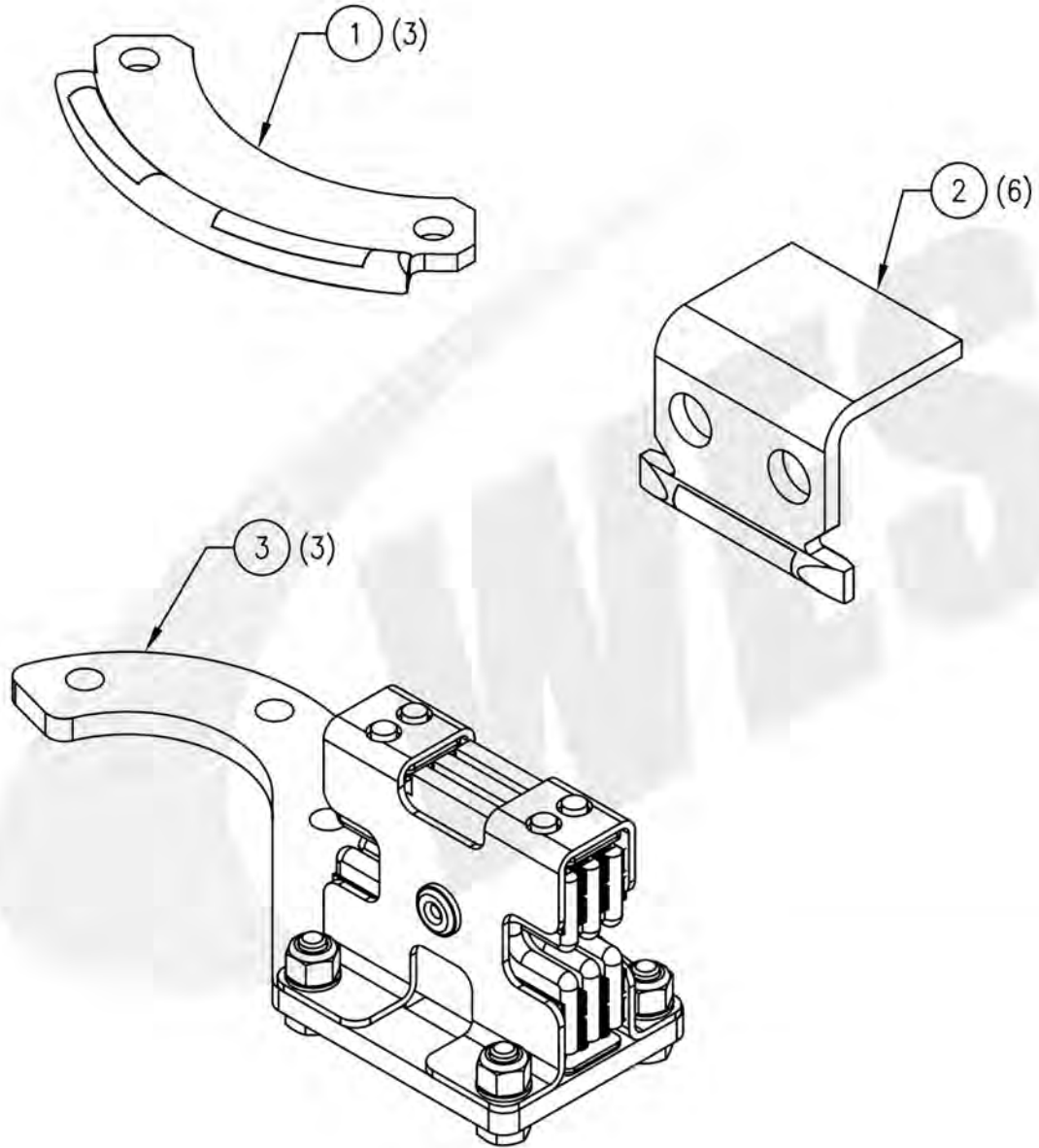


WESTERN ELECTRICAL SERVICES	
EQUIPMENT: WAUKESHA UZD	
TITLE: KIT, MAIN SLIP CONTACT (BOWTIE)	
DWG NO. 07-700-0002K	REV: 0



**Westinghouse**  
**Load Tap Changer**  
**Replacement Parts**  
**&**  
**Oil Circuit Breaker**  
**Replacement Parts**

PARTS LIST			
ITEM NO.	PART NUMBER	DESCRIPTION	QTY
1	04-403-0001U	CONTACT, STATIONARY NEUTRAL, REVERSING SWITCH	3
2	04-403-0002U	CONTACT, STATIONARY, L.H./R.H., REVERSING SWITCH	6
3	04-403-0003U	CONTACT ASSEMBLY, MOVING, REVERSING SWITCH	3



WESTERN ELECTRICAL SERVICES

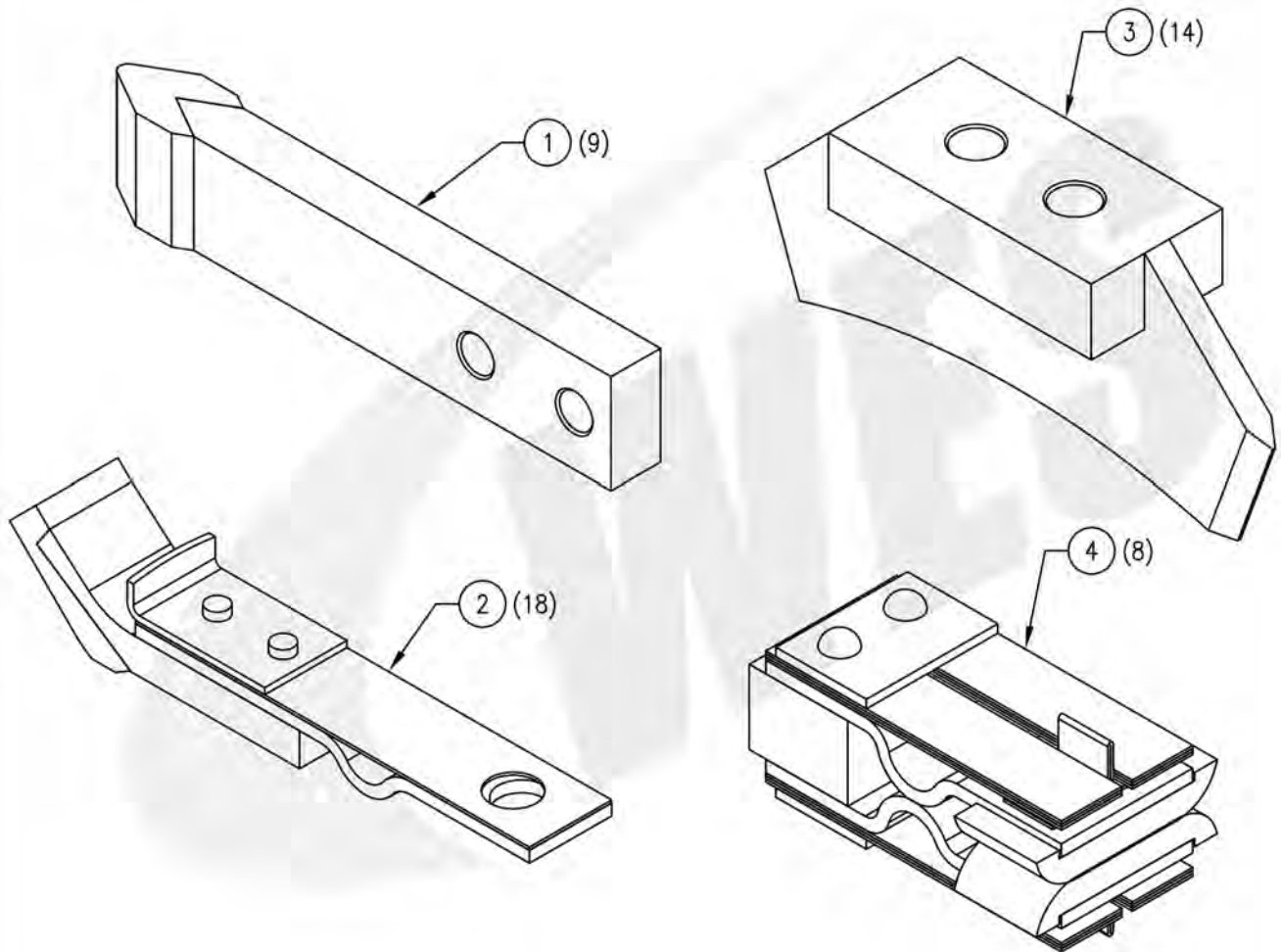
EQUIPMENT: REINHAUSEN RMT-1

TITLE: KIT, REVERSING SWITCH

DWG NO. 04-403-0000KU

REV: 0

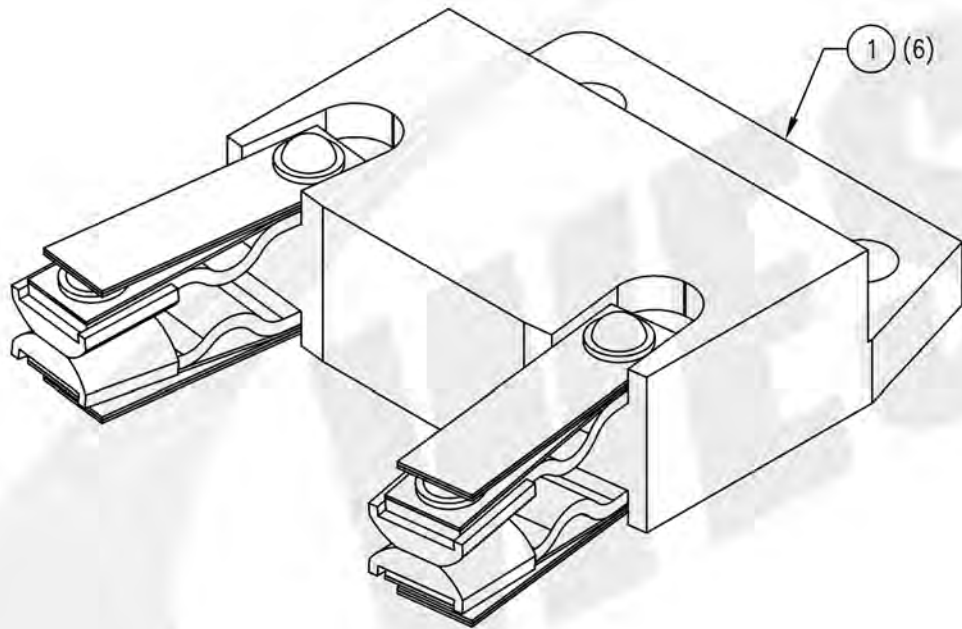
PARTS LIST			
ITEM NO.	PART NUMBER	DESCRIPTION	QTY
1	04-419-0001	CONTACT, MOVING, ARCING, TRANSFER SWITCH	9
2	04-419-0004	CONTACT BRUSH ASSEMBLY, ARCING	18
3	04-419-0016	CONTACT, STATIONARY	14
4	04-419-0017	CONTACT ASSEMBLY, MOVING	8



WESTERN ELECTRICAL SERVICES	
EQUIPMENT: WH UNR	
TITLE: REPLACEMENT PARTS	
DWG NO. 04-419-0000K	REV: 1

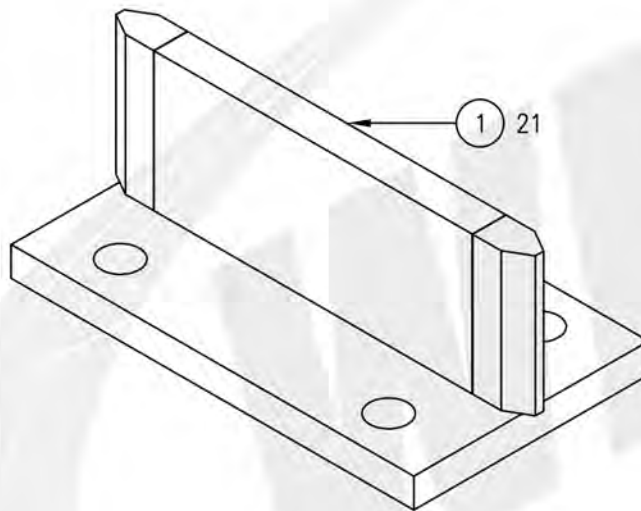


PARTS LIST			
ITEM NO.	PART NUMBER	DESCRIPTION	QTY
1	04-412-0009	CONTACT ASSEMBLY	6



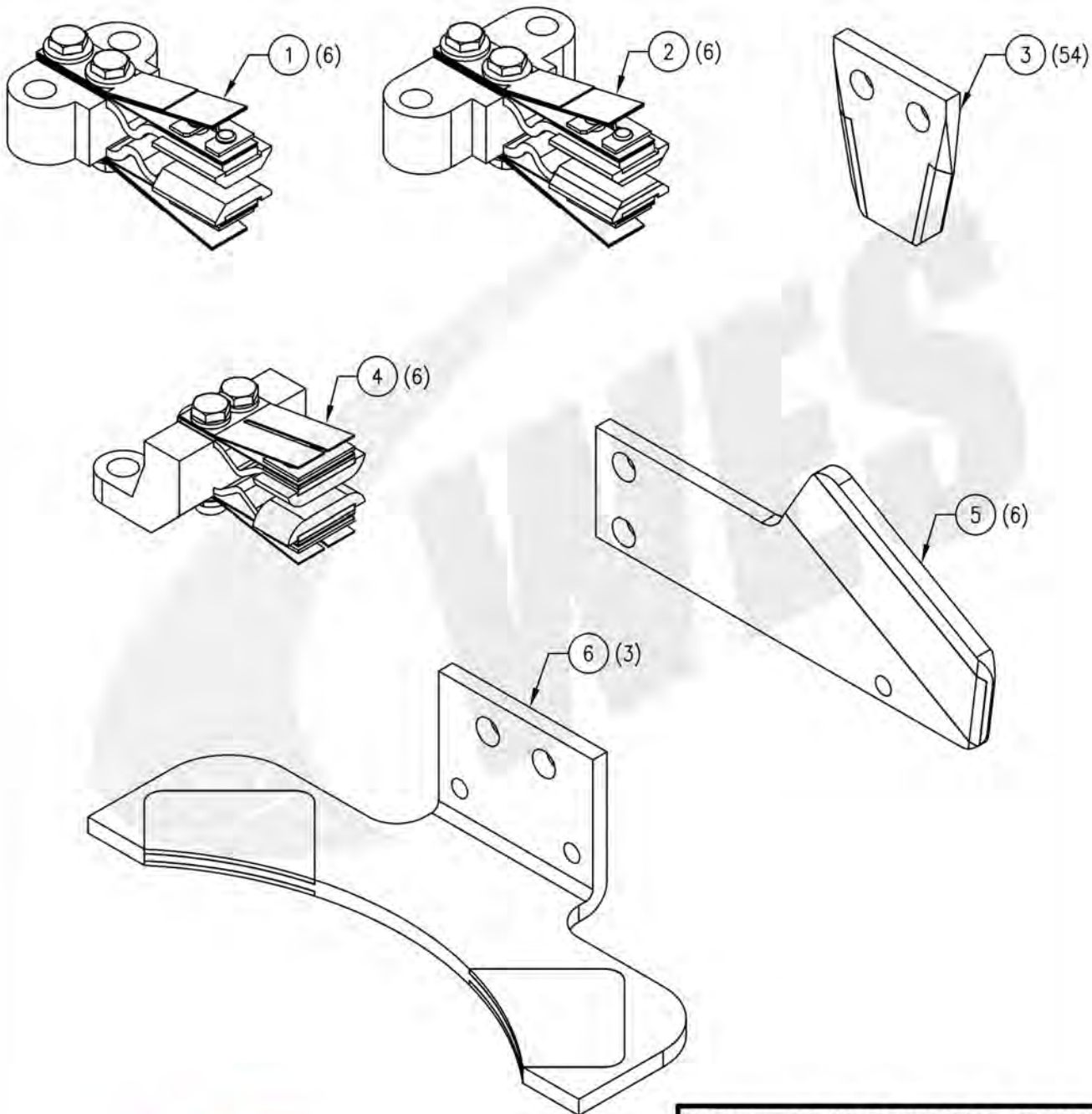
WESTERN ELECTRICAL SERVICES	
EQUIPMENT: WH UR	
TITLE: REPLACEMENT PARTS	
DWG NO. 04-412-0001K	REV: 0

PARTS LIST			
ITEM NO.	PART NUMBER	DESCRIPTION	QTY
1	04-412-0006	CONTACT, STATIONARY, INTERMEDIATE, SELECTOR SWITCH	21



WESTERN ELECTRICAL SERVICES	
EQUIPMENT: WH UR HIGH AMP	
TITLE: REPLACEMENT PARTS	
DWG NO. 04-412-0000K	REV: 0

PARTS LIST			
ITEM NO.	PART NUMBER	DESCRIPTION	QTY
1	04-405-0001	CONTACT ASSEMBLY, MOVING, SELECTOR SWITCH	6
2	04-405-0014U	CONTACT ASSEMBLY, MOVING, REVERSING SWITCH	6
3	04-405-0021	CONTACT ASSEMBLY, STATIONARY, SELECTOR SWITCH	54
4	04-405-0022	CONTACT ASSEMBLY, MOVING, PREVENTIVE AUTO RIDING	6
5	04-405-0032U	CONTACT, STATIONARY, L.H./R.H., REVERSING SWITCH	6
6	04-405-0033U	CONTACT BLADE, STATIONARY, NEUTRAL REVERSING SWITCH	3



WESTERN ELECTRICAL SERVICES

EQUIPMENT: WH URS

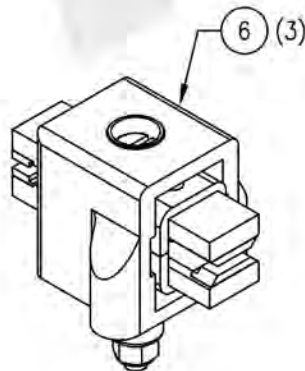
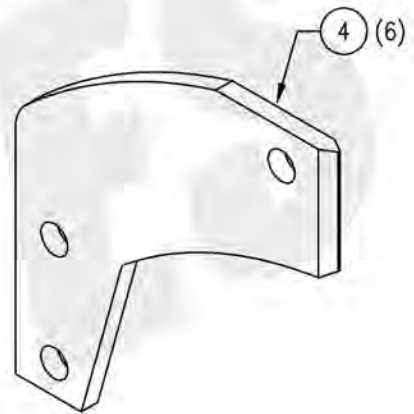
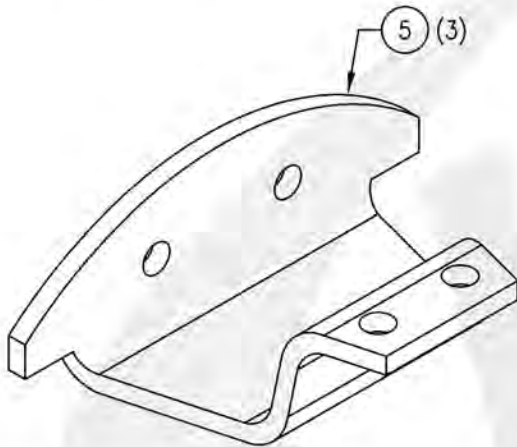
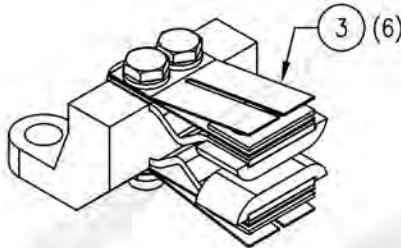
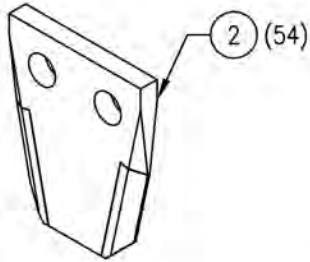
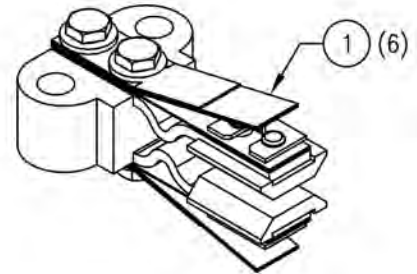
TITLE: CONTACT KIT, COMPLETE

DWG NO. 04-405-0000KU

REV: 0



PARTS LIST			
ITEM NO.	PART NUMBER	DESCRIPTION	QTY
1	04-405-0001	CONTACT ASSEMBLY, MOVING, SELECTOR SWITCH	6
2	04-405-0021	CONTACT ASSEMBLY, STATIONARY, SELECTOR SWITCH	54
3	04-405-0022	CONTACT ASSEMBLY, MOVING, PREVENTIVE AUTO RIDING	6
4	04-402-0018P	CONTACT, STATIONARY, L.H./R.H., REVERSING SWITCH	6
5	04-402-0019P	CONTACT BLADE, STATIONARY NEUTRAL, REVERSING SWITCH	3
6	04-402-0033U	CONTACT ASSEMBLY, MOVING, REVERSING SWITCH	3



**WESTERN ELECTRICAL SERVICES**

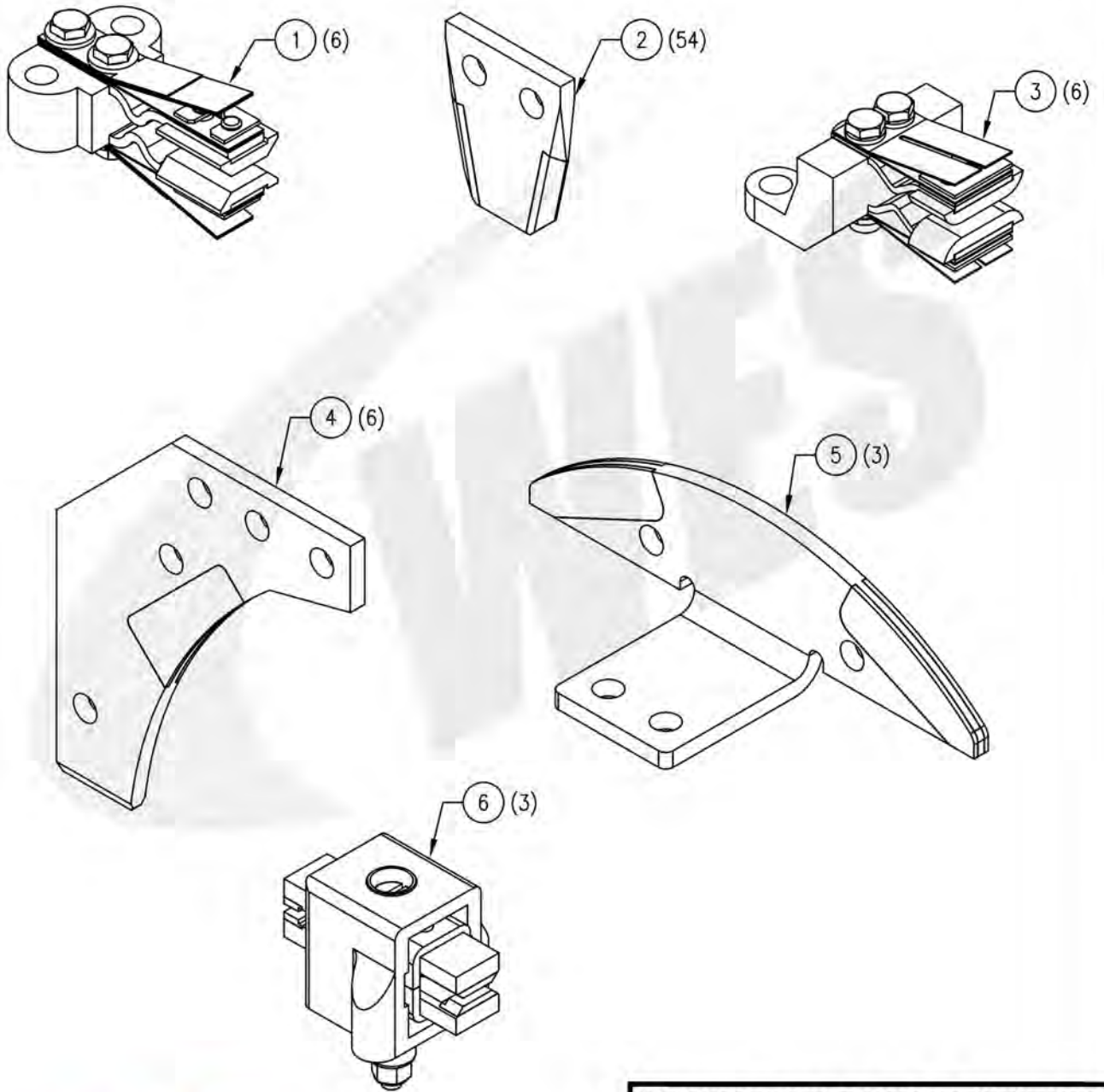
EQUIPMENT: WH URS (CH3)

TITLE: CONTACT KIT, COMPLETE

DWG NO. 04-405-0002K

REV: 0

PARTS LIST			
ITEM NO.	PART NUMBER	DESCRIPTION	QTY
1	04-405-0001	CONTACT ASSEMBLY, MOVING, SELECTOR SWITCH	6
2	04-405-0021	CONTACT ASSEMBLY, STATIONARY, SELECTOR SWITCH	54
3	04-405-0022	CONTACT ASSEMBLY, MOVING, PREVENTIVE AUTO RIDING	6
4	04-405-0034U	CONTACT, STATIONARY, L.H./R.H., REVERSING SWITCH	6
5	04-405-0035U	CONTACT, BUS, STATIONARY REVERSING SWITCH	3
6	04-402-0033U	CONTACT ASSEMBLY, MOVING, REVERSING SWITCH	3



WESTERN ELECTRICAL SERVICES

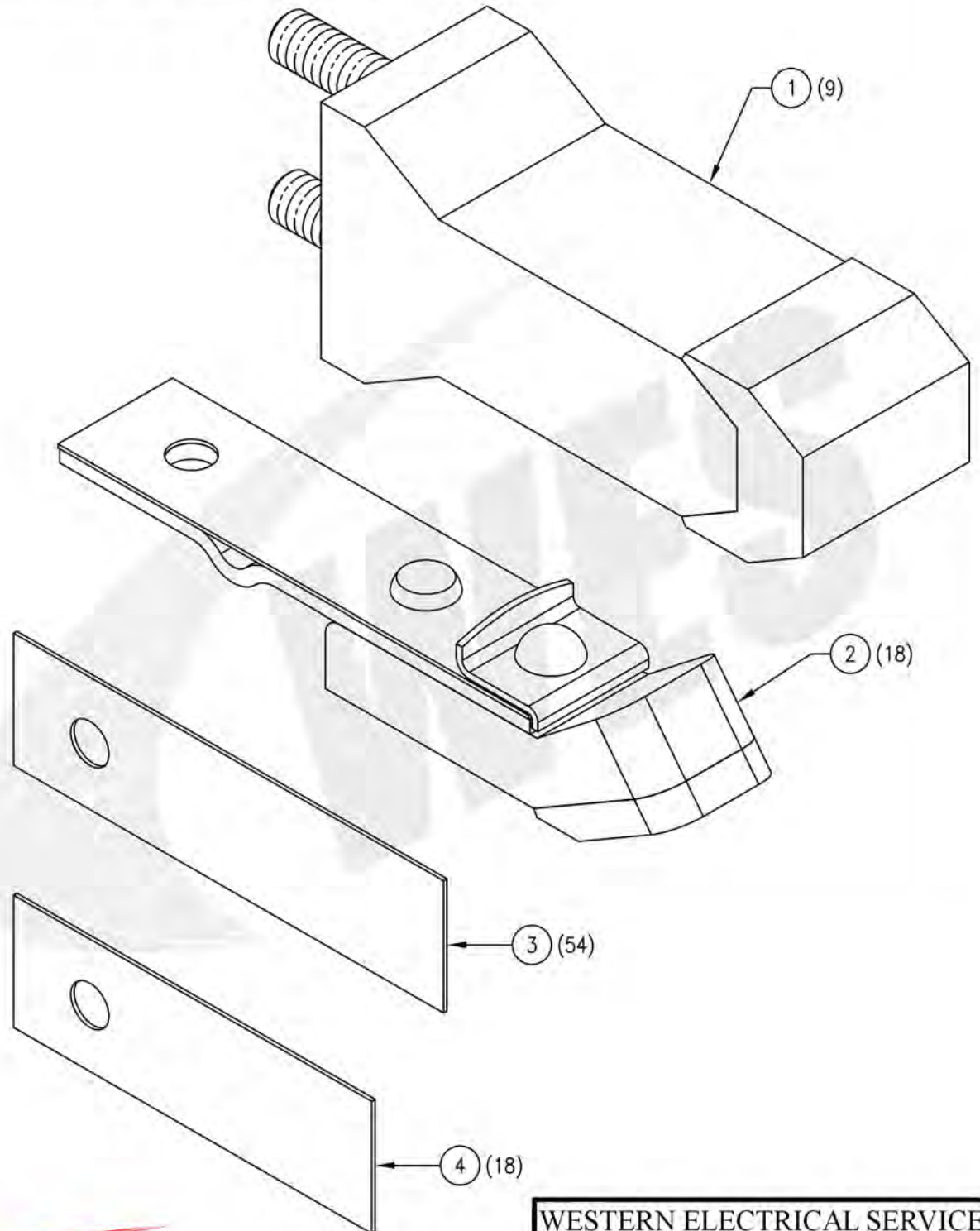
EQUIPMENT: WH URS-D

TITLE: CONTACT KIT, COMPLETE

DWG NO. 04-405-0001KU

REV: 0

PARTS LIST			
ITEM NO.	PART NUMBER	DESCRIPTION	QTY
1	04-420-0001	CONTACT ASSEMBLY, MOVING ARCING, TRANSFER SWITCH	9
2	04-420-0005	CONTACT ASSEMBLY, STATIONARY ARCING, TRANSFER SWITCH	18
3	04-420-0012	SPRING, INNER, STATIONARY ARCING	54
4	04-420-0013	SPRING, OUTER, STATIONARY ARCING	18



WESTERN ELECTRICAL SERVICES

EQUIPMENT: WH UT

TITLE: KIT, TRANSFER SWITCH

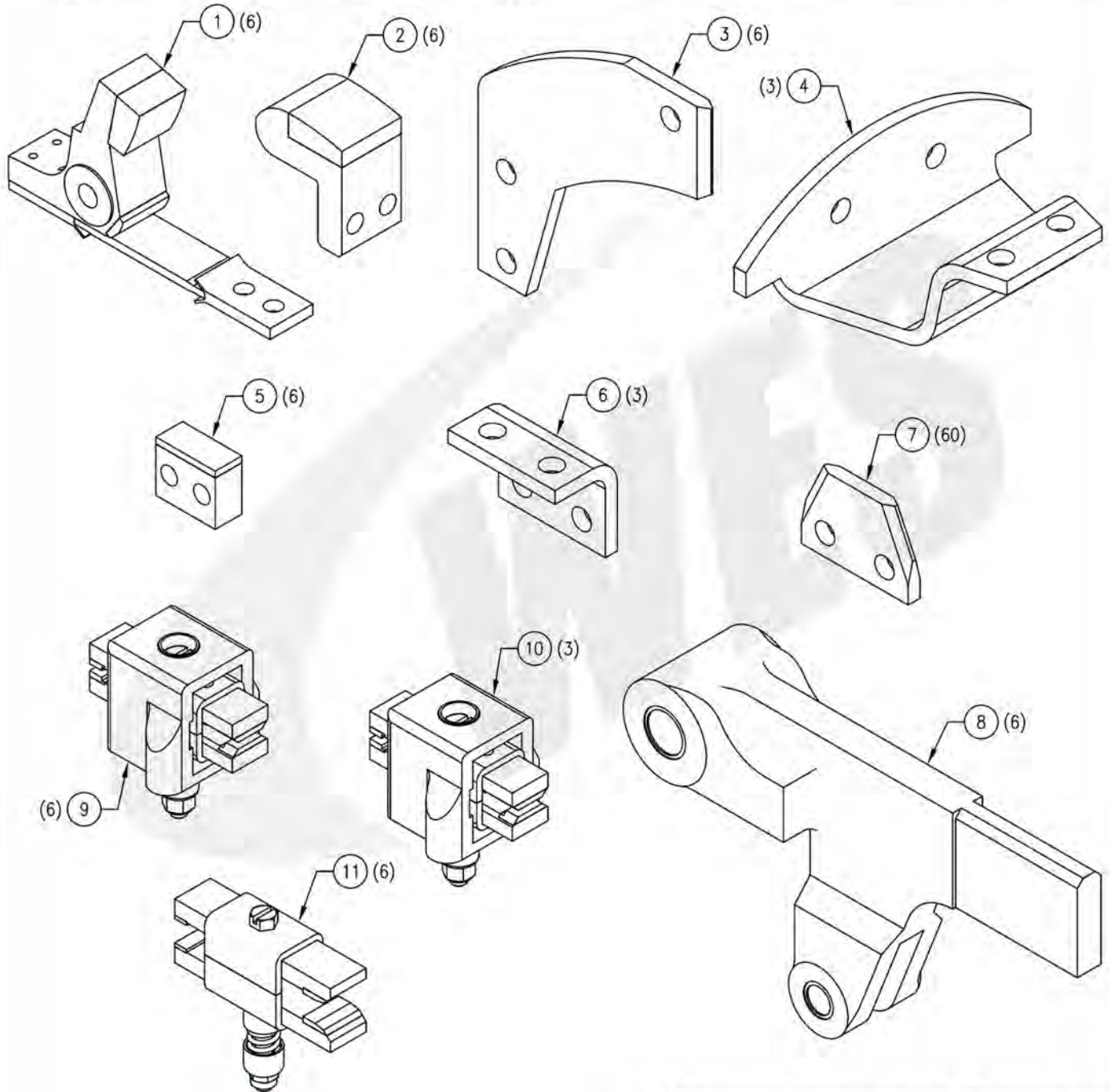
DWG NO. 04-420-0000K

REV: 0



PARTS LIST			
ITEM NO.	PART NUMBER	DESCRIPTION	QTY
1	04-402-0000	CONTACT, ARCING, MOVING, TRANSFER SWITCH (OLD DESIGN)	6
2	04-402-0008	CONTACT, ARCING, STATIONARY, TRANSFER SWITCH (OLD DESIGN)	6
3	04-402-0018P	CONTACT, STATIONARY, L.H./R.H., REVERSING SWITCH	6
4	04-402-0019P	CONTACT, BLADE, STATIONARY, NEUTRAL REVERSING SWITCH	3
5	04-402-0020	CONTACT, AUXILIARY ARCING, TRANSFER SWITCH	6
6	04-402-0023P	SPACER, CONTACT BLADE, REVERSING SWITCH	3

PARTS LIST			
ITEM NO.	PART NUMBER	DESCRIPTION	QTY
7	04-402-0024	CONTACT, STATIONARY, SELECTOR SWITCH (FLAT BLADE DESIGN)	60
8	04-402-0026	CONTACT, CURRENT CARRYING, MOVING, TRANSFER SWITCH	6
9	04-402-0033	CONTACT ASSEMBLY, MOVING, SELECTOR SWITCH	6
10	04-402-0033P	CONTACT ASSEMBLY, MOVING, REVERSING SWITCH	3
11	04-402-0041	CONTACT ASSEMBLY, CURRENT CARRYING, STATIONARY, TRANSFER SWITCH	6



**WESTERN ELECTRICAL SERVICES**

EQUIPMENT: WH URT LOW AMP

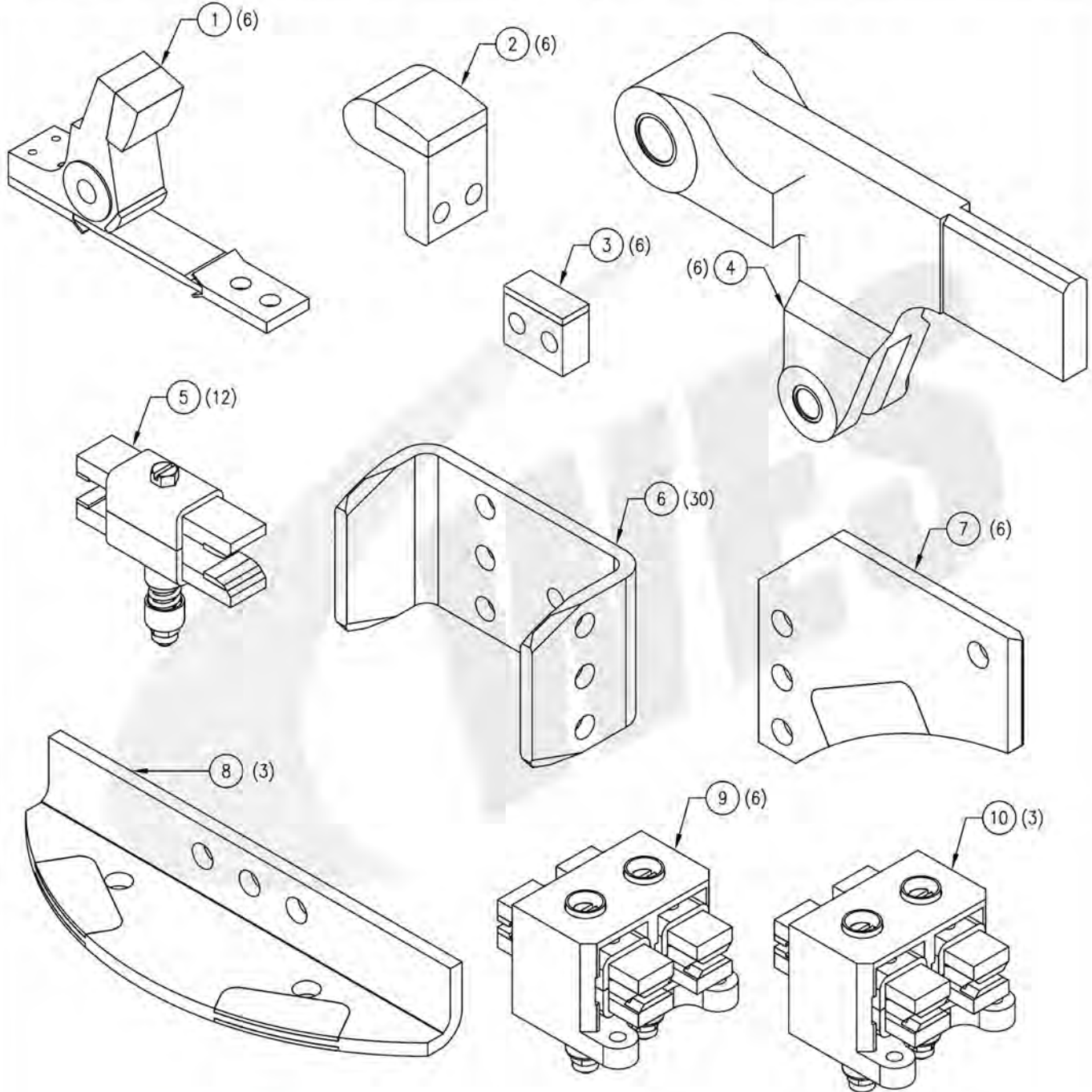
TITLE: CONTACT KIT, COMPLETE

DWG NO. 04-402-0000K

REV: 0

PARTS LIST			
ITEM NO.	PART NUMBER	DESCRIPTION	QTY
1	04-402-0000	CONTACT, ARCING, MOVING, TRANSFER SWITCH (OLD DESIGN)	6
2	04-402-0008	CONTACT, ARCING, STATIONARY, TRANSFER SWITCH (OLD DESIGN)	6
3	04-402-0020	CONTACT, AUXILIARY ARCING, TRANSFER SWITCH	6
4	04-402-0026P	CONTACT, CURRENT CARRYING, MOVING, TRANSFER SWITCH	6
5	04-402-0041U	CONTACT ASSEMBLY, CURRENT CARRYING, STATIONARY, TRANSFER SWITCH	12

PARTS LIST			
ITEM NO.	PART NUMBER	DESCRIPTION	QTY
6	04-402-0068P	CONTACT, STATIONARY, SELECTOR SWITCH	30
7	04-402-0069U	CONTACT, STATIONARY, L.H./R.H., REVERSING SWITCH	6
8	04-402-0070U	CONTACT, BLADE, NEUTRAL, REVERSING SWITCH	3
9	04-402-0073	CONTACT ASSEMBLY, MOVING, SELECTOR SWITCH	6
10	04-402-0073U	CONTACT ASSEMBLY, MOVING, REVERSING SWITCH	3



WESTERN ELECTRICAL SERVICES

EQUIPMENT: WH URT HIGH AMP

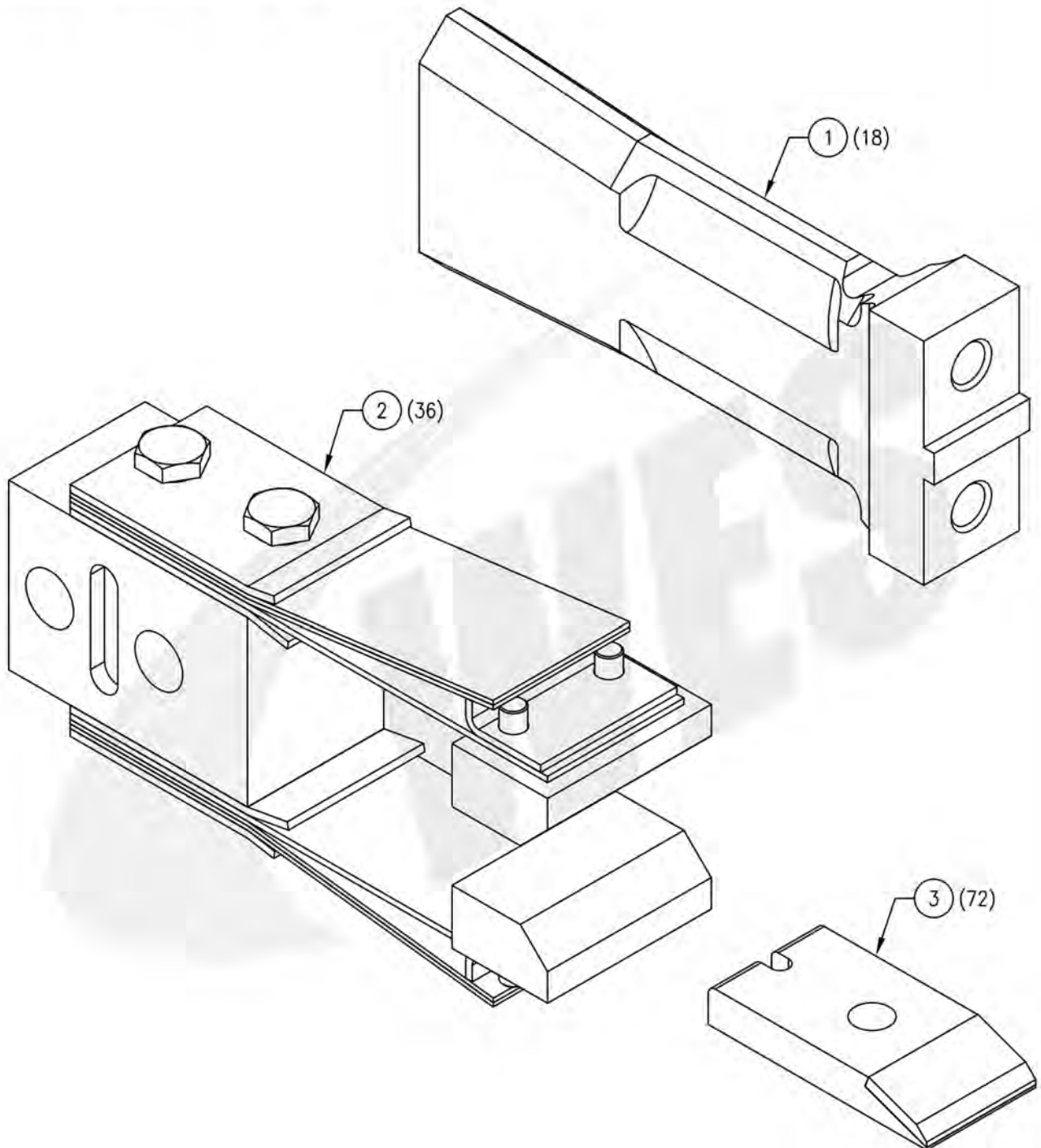
TITLE: CONTACT KIT, COMPLETE

DWG NO. 04-402-0001KU

REV: 1



PARTS LIST			
ITEM NO.	PART NUMBER	DESCRIPTION	QTY
1	04-416-0001	CONTACT, ARCING, MOVING	18
2	04-416-0002	CONTACT ASSEMBLY, ARCING, STATIONARY	36
3	04-416-0008P	CONTACT, ARCING, STATIONARY	72



WESTERN ELECTRICAL SERVICES

EQUIPMENT: WH UTH

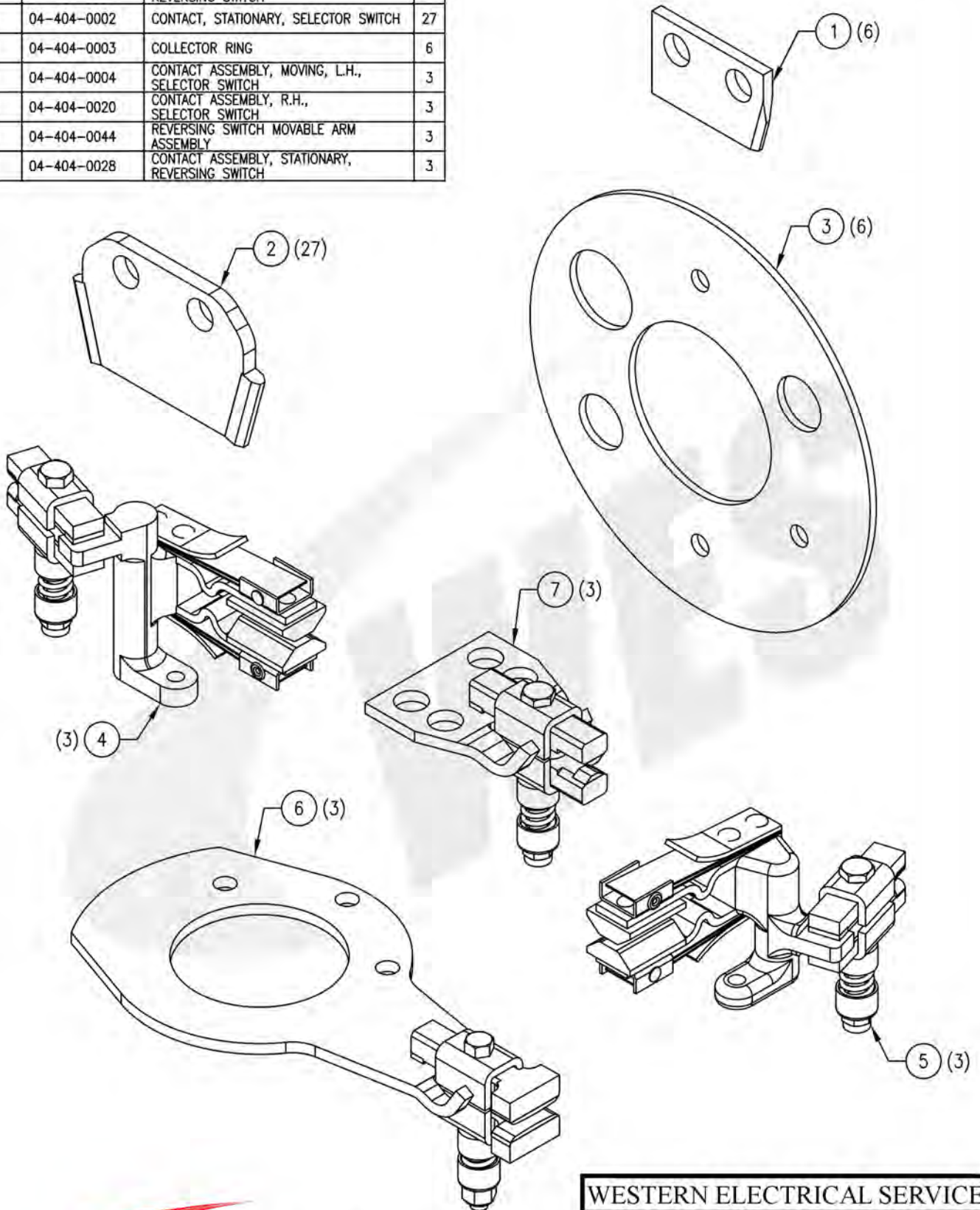
TITLE: KIT. TRANSFER SWITCH

DWG NO. 04-416-0000K

REV: 0



PARTS LIST			
ITEM NO.	PART NUMBER	DESCRIPTION	QTY
1	04-404-0001P	CONTACT, STATIONARY, L.H./R.H., REVERSING SWITCH	6
2	04-404-0002	CONTACT, STATIONARY, SELECTOR SWITCH	27
3	04-404-0003	COLLECTOR RING	6
4	04-404-0004	CONTACT ASSEMBLY, MOVING, L.H., SELECTOR SWITCH	3
5	04-404-0020	CONTACT ASSEMBLY, R.H., SELECTOR SWITCH	3
6	04-404-0044	REVERSING SWITCH MOVABLE ARM ASSEMBLY	3
7	04-404-0028	CONTACT ASSEMBLY, STATIONARY, REVERSING SWITCH	3



WESTERN ELECTRICAL SERVICES

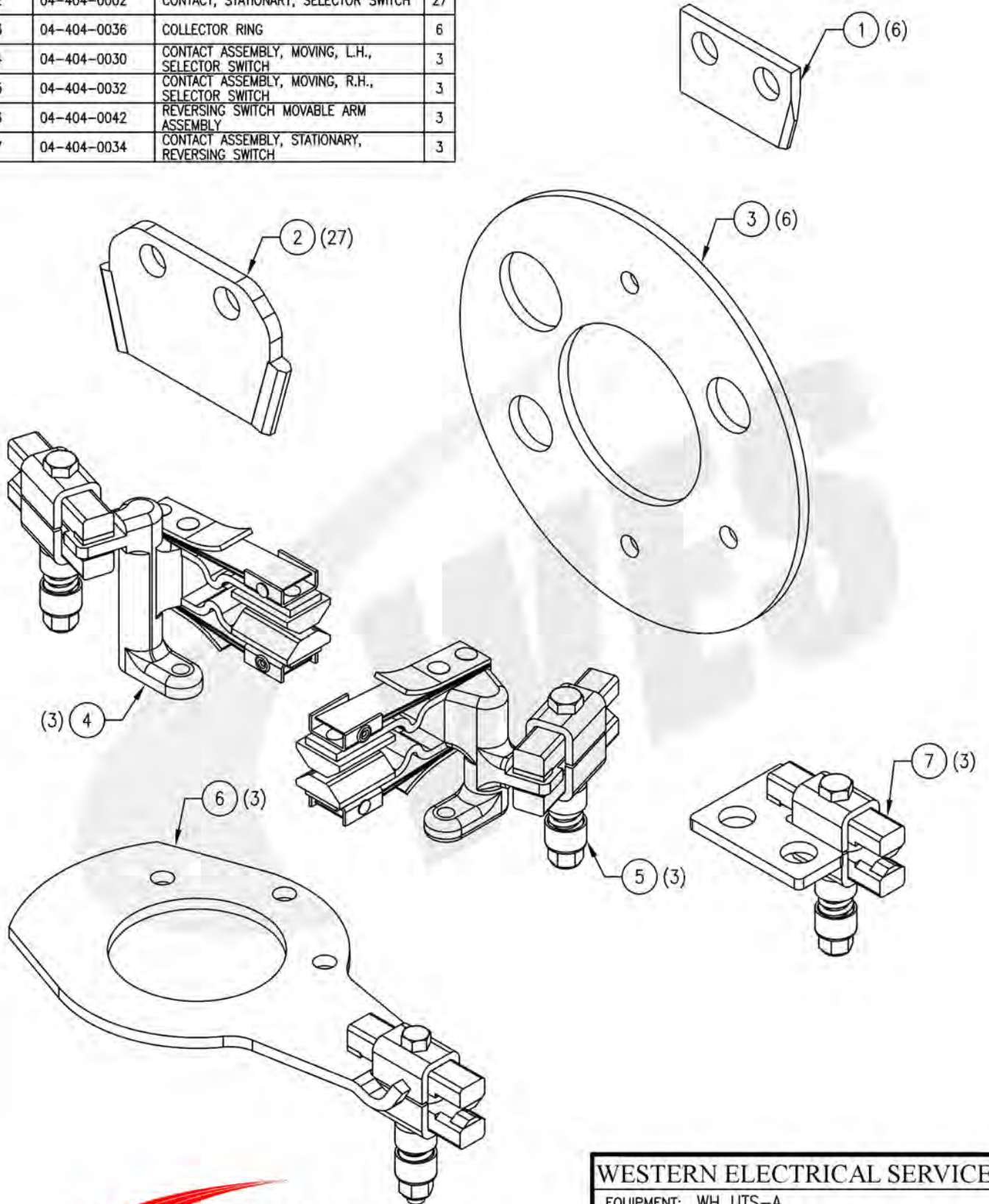
EQUIPMENT: WH UTS

TITLE: CONTACT KIT, COMPLETE

DWG NO. 04-404-0000K

REV: 1

PARTS LIST			
ITEM NO.	PART NUMBER	DESCRIPTION	QTY
1	04-404-0001P	CONTACT, STATIONARY, L.H./R.H., REVERSING SWITCH	6
2	04-404-0002	CONTACT, STATIONARY, SELECTOR SWITCH	27
3	04-404-0036	COLLECTOR RING	6
4	04-404-0030	CONTACT ASSEMBLY, MOVING, L.H., SELECTOR SWITCH	3
5	04-404-0032	CONTACT ASSEMBLY, MOVING, R.H., SELECTOR SWITCH	3
6	04-404-0042	REVERSING SWITCH MOVABLE ARM ASSEMBLY	3
7	04-404-0034	CONTACT ASSEMBLY, STATIONARY, REVERSING SWITCH	3



WESTERN ELECTRICAL SERVICES

EQUIPMENT: WH UTS-A

TITLE: CONTACT KIT, COMPLETE

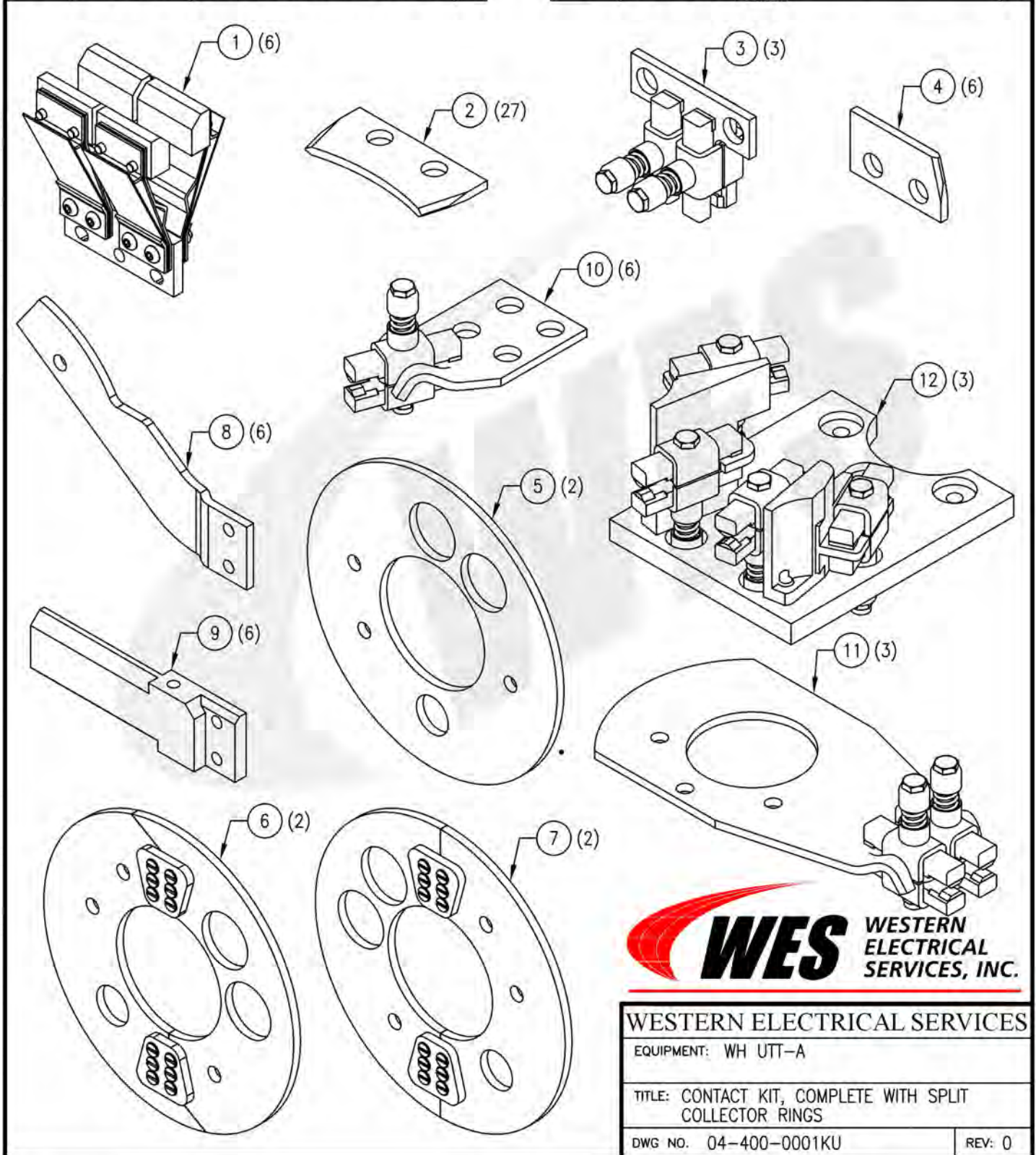
DWG NO. 04-404-0001K

REV: 1



PARTS LIST			
ITEM NO.	PART NUMBER	DESCRIPTION	QTY
1	04-401-0001	CONTACT ASSEMBLY, ARCING, STATIONARY, TRANSFER SWITCH	6
2	04-401-0010P	CONTACT, STATIONARY, SELECTOR SWITCH	27
3	04-400-0001U	CONTACT ASSEMBLY, STATIONARY, REVERSING SWITCH	3
4	04-401-0013P	CONTACT, STATIONARY, L.H./R.H., REVERSING SWITCH	6
5	04-401-0019P	COLLECTOR RING, END	2
6	04-401-0057P	COLLECTOR RING ASSEMBLY, SPLIT, OUTER	2

PARTS LIST			
ITEM NO.	PART NUMBER	DESCRIPTION	QTY
7	04-401-0061P	COLLECTOR RING ASSEMBLY, SPLIT, INNER	2
8	04-401-0056P	CONTACT BLADE, CURRENT CARRYING, MOVING, TRANSFER SWITCH	6
9	04-401-0022	CONTACT, ARCING, MOVING, TRANSFER SWITCH	6
10	04-400-0008U	CONTACT ASSEMBLY WITH SUPPORT, STATIONARY, TRANSFER SWITCH	6
11	04-400-0012U	CONTACT ASSEMBLY WITH ARM, MOVING, REVERSING SWITCH	3
12	04-400-0014U	CONTACT ASSEMBLY, MOVING, SELECTOR SWITCH	3

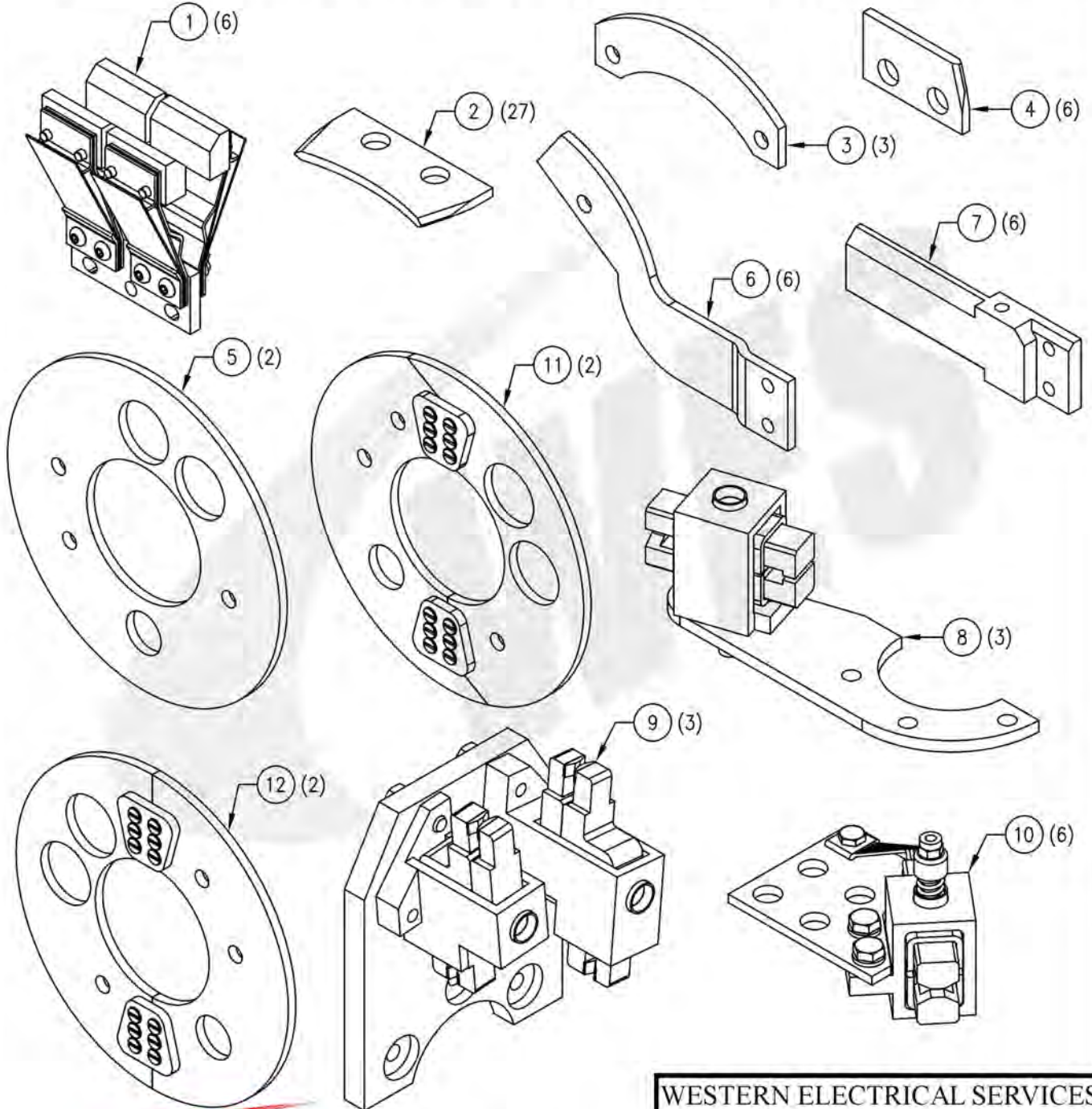


WESTERN ELECTRICAL SERVICES	
EQUIPMENT: WH UTT-A	
TITLE: CONTACT KIT, COMPLETE WITH SPLIT COLLECTOR RINGS	
DWG NO. 04-400-0001KU	REV: 0



PARTS LIST			
ITEM NO.	PART NUMBER	DESCRIPTION	QTY
1	04-401-0001	CONTACT ASSEMBLY, ARCING, STATIONARY, TRANSFER SWITCH	6
2	04-401-0010P	CONTACT, STATIONARY, SELECTOR SWITCH	27
3	04-401-0011P	CONTACT BLADE, STATIONARY, NEUTRAL, REVERSING SWITCH	3
4	04-401-0013P	CONTACT, STATIONARY, L.H./R.H., REVERSING SWITCH	6
5	04-401-0019P	COLLECTOR RING, END	2
6	04-401-0020P	CONTACT BLADE, MOVING, CURRENT CARRYING, TRANSFER SWITCH	6

PARTS LIST			
ITEM NO.	PART NUMBER	DESCRIPTION	QTY
7	04-401-0022	CONTACT, ARCING, MOVING, TRANSFER SWITCH	6
8	04-401-0027	CONTACT ASSEMBLY WITH ARM, MOVING, REVERSING SWITCH	3
9	04-401-0036P	CONTACT ASSEMBLY, MOVING, SELECTOR SWITCH	3
10	04-401-0045P	CONTACT FINGER ASSEMBLY WITH SUPPORT, STATIONARY, TRANSFER SWITCH	6
11	04-401-0057P	COLLECTOR RING ASSEMBLY, SPLIT, OUTER	2
12	04-401-0061P	COLLECTOR RING ASSEMBLY, SPLIT, INNER	2



WESTERN ELECTRICAL SERVICES

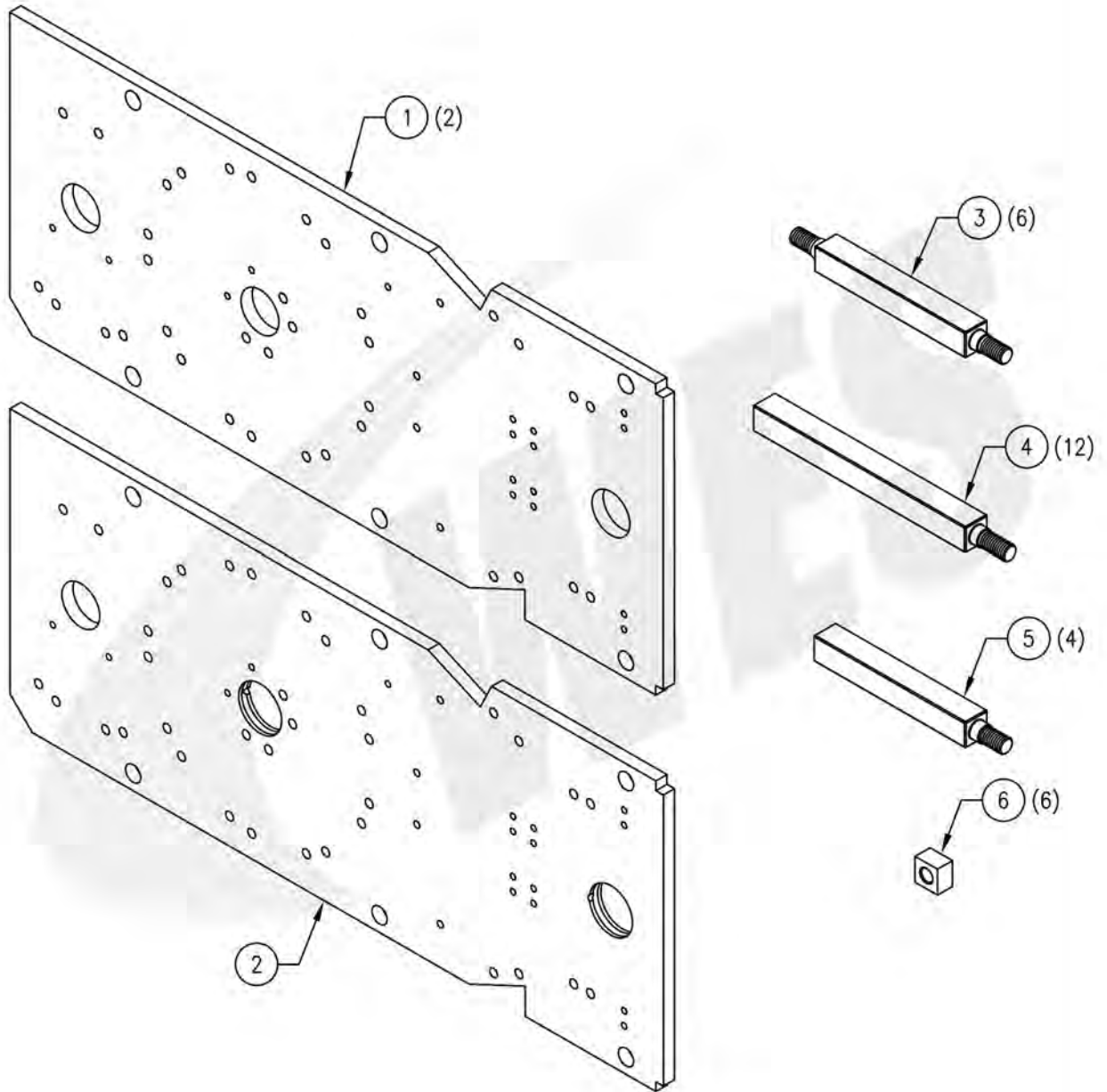
EQUIPMENT: WH UTT-B

TITLE: CONTACT KIT, COMPLETE WITH SPLIT COLLECTOR RINGS

DWG NO. 04-401-0001K

REV: 0

PARTS LIST			
ITEM NO.	PART NUMBER	DESCRIPTION	QTY
1	04-401-0069	PANEL, PHASE (PHASE A & B)	2
2	04-401-0070	PANEL, PHASE (PHASE C)	1
3	04-401-0071	TIE ROD, MALE TO MALE	6
4	04-401-0072	TIE ROD, MALE TO FEMALE	12
5	04-401-0073	TIE ROD, MALE TO FEMALE, SHORT	4
6	04-401-0074	NUT, TIE ROD	6



WESTERN ELECTRICAL SERVICES

EQUIPMENT: WH UTT-B

TITLE: NOT INCLUDED IN KIT

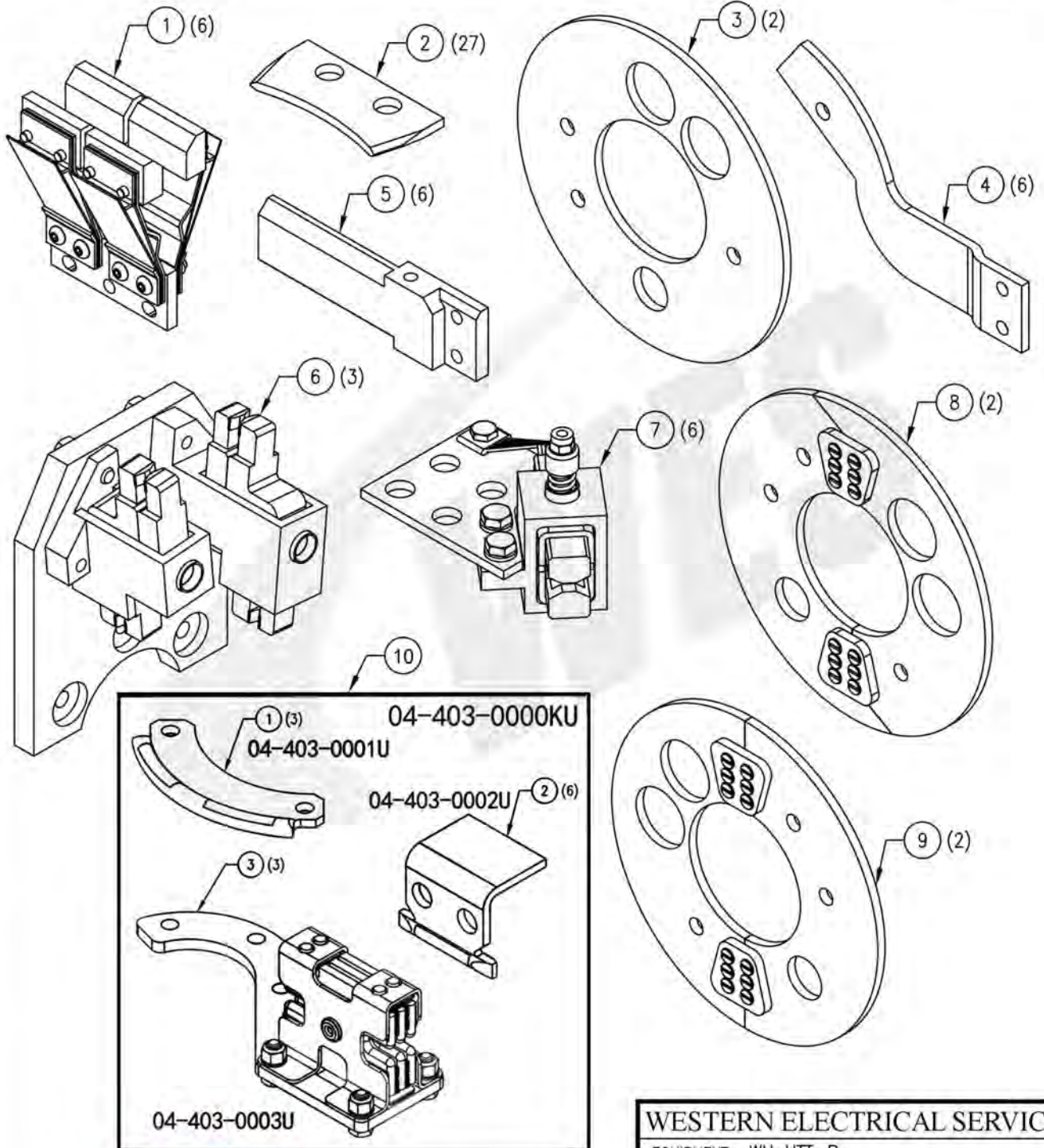
DWG NO. 04-401-0000K-2

REV: 0



PARTS LIST			
ITEM NO.	PART NUMBER	DESCRIPTION	QTY
1	04-401-0001	CONTACT ASSEMBLY, ARCING, STATIONARY, TRANSFER SWITCH	6
2	04-401-0010P	CONTACT, STATIONARY, SELECTOR SWITCH	27
3	04-401-0019P	COLLECTOR RING, END	2
4	04-401-0020P	CONTACT BLADE, MOVING, CURRENT CARRYING, TRANSFER SWITCH	6
5	04-401-0022	CONTACT, ARCING, MOVING, TRANSFER SWITCH	6

PARTS LIST			
ITEM NO.	PART NUMBER	DESCRIPTION	QTY
6	04-401-0036P	CONTACT ASSEMBLY, MOVING, SELECTOR SWITCH	3
7	04-401-0045P	CONTACT FINGER ASSEMBLY WITH SUPPORT, STATIONARY, TRANSFER SWITCH	6
8	04-401-0057P	COLLECTOR RING ASSEMBLY, SPLIT, OUTER	2
9	04-401-0061P	COLLECTOR RING ASSEMBLY, SPLIT, INNER	2
10	04-403-0000KU	KIT, REVERSING SWITCH	1

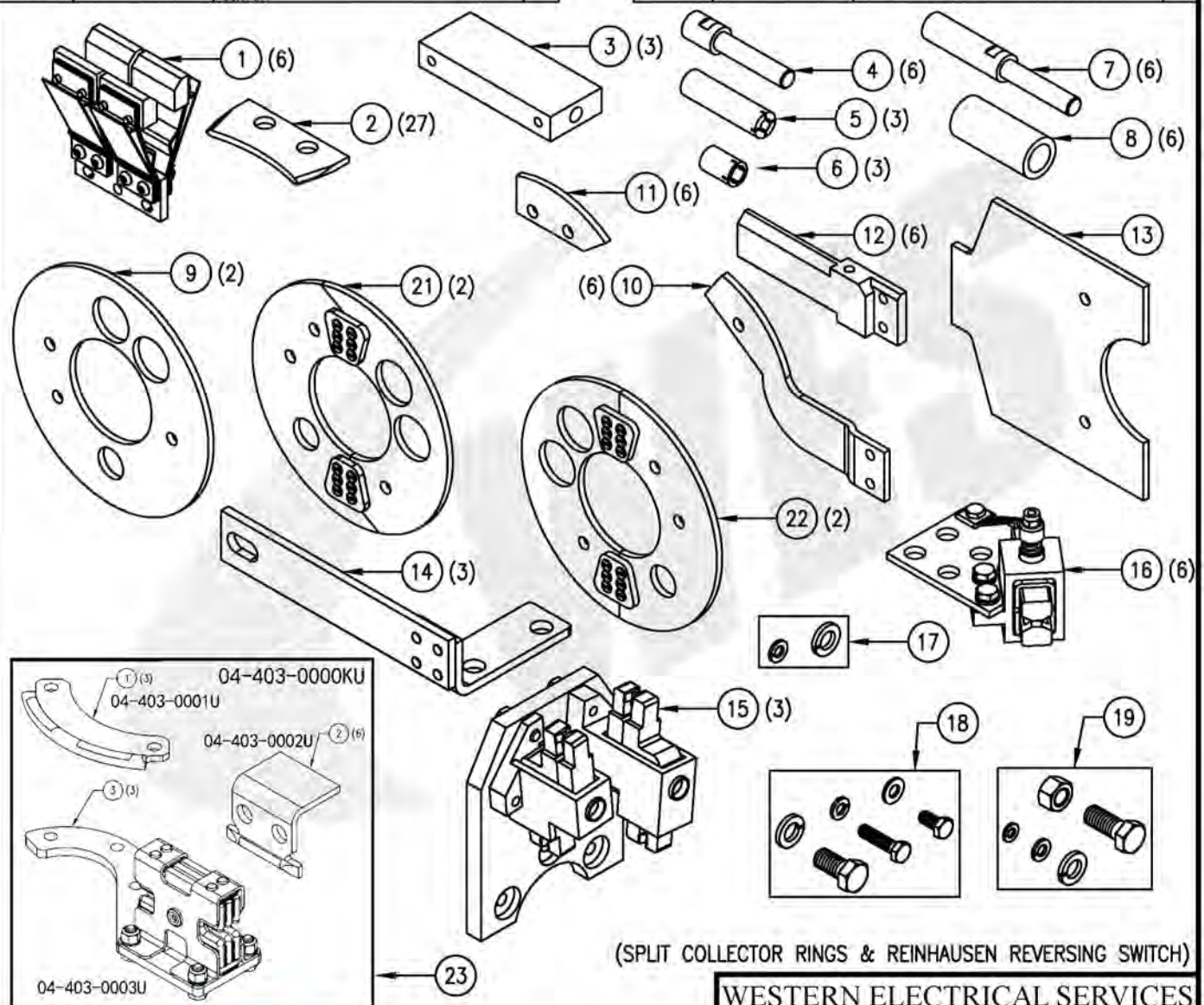


<b>WESTERN ELECTRICAL SERVICES</b>	
EQUIPMENT: WH UTT-B	
TITLE: CONTACT KIT, COMPLETE WITH SPLIT COLLECTOR RINGS & REINHAUSEN REVERSING SWITCH (UPGRADE)	
DWG NO. 04-401-0003KU	REV: 0



PARTS LIST			
ITEM NO.	PART NUMBER	DESCRIPTION	QTY
1	04-401-0001	CONTACT ASSEMBLY, ARCING, STATIONARY, TRANSFER SWITCH	6
2	04-401-0010P	CONTACT, STATIONARY, SELECTOR SWITCH	27
3	04-401-0012P	SUPPORT, CONTACT, REVERSING SWITCH	3
4	04-401-0014P	STUD H, SELECTOR SWITCH	6
5	04-401-0015	TUBE, MICARTA, SELECTOR SWITCH	3
6	04-401-0016T	SPACER, PIPE, SELECTOR SWITCH	3
7	04-401-0017P	STUD G, SELECTOR SWITCH	6
8	04-401-0018	TUBE, MICARTA, SELECTOR SWITCH	6
9	04-401-0019P	COLLECTOR RING, END	2
10	04-401-0020P	CONTACT BLADE, MOVING, CURRENT CARRYING, TRANSFER SWITCH	6
11	04-401-0021P	CONTACT, MOVING, TRANSFER SWITCH	6
12	04-401-0022	CONTACT, ARCING, MOVING, TRANSFER SWITCH	6

PARTS LIST			
ITEM NO.	PART NUMBER	DESCRIPTION	QTY
13	04-401-0023	TEMPLATE, DRILLING	1
14	04-401-0024P	BUS BAR, REVERSING SWITCH	3
15	04-401-0036P	CONTACT ASSEMBLY, MOVING, SELECTOR SWITCH	3
16	04-401-0045P	CONTACT FINGER ASSEMBLY WITH SUPPORT, STATIONARY, TRANSFER SWITCH	6
17	04-401-0053	KIT, HARDWARE, G01	1
18	04-401-0054	KIT, HARDWARE, G02	1
19	04-401-0055	KIT, HARDWARE, G03	1
20	-	-	-
21	04-401-0057P	COLLECTOR RING ASSEMBLY, SPLIT, OUTER	2
22	04-401-0061P	COLLECTOR RING ASSEMBLY, SPLIT, INNER	2
23	04-403-0000KU	KIT, REVERSING SWITCH	1
24	04-401-0064	FIELD INSTALLATION INSTRUCTIONS	1

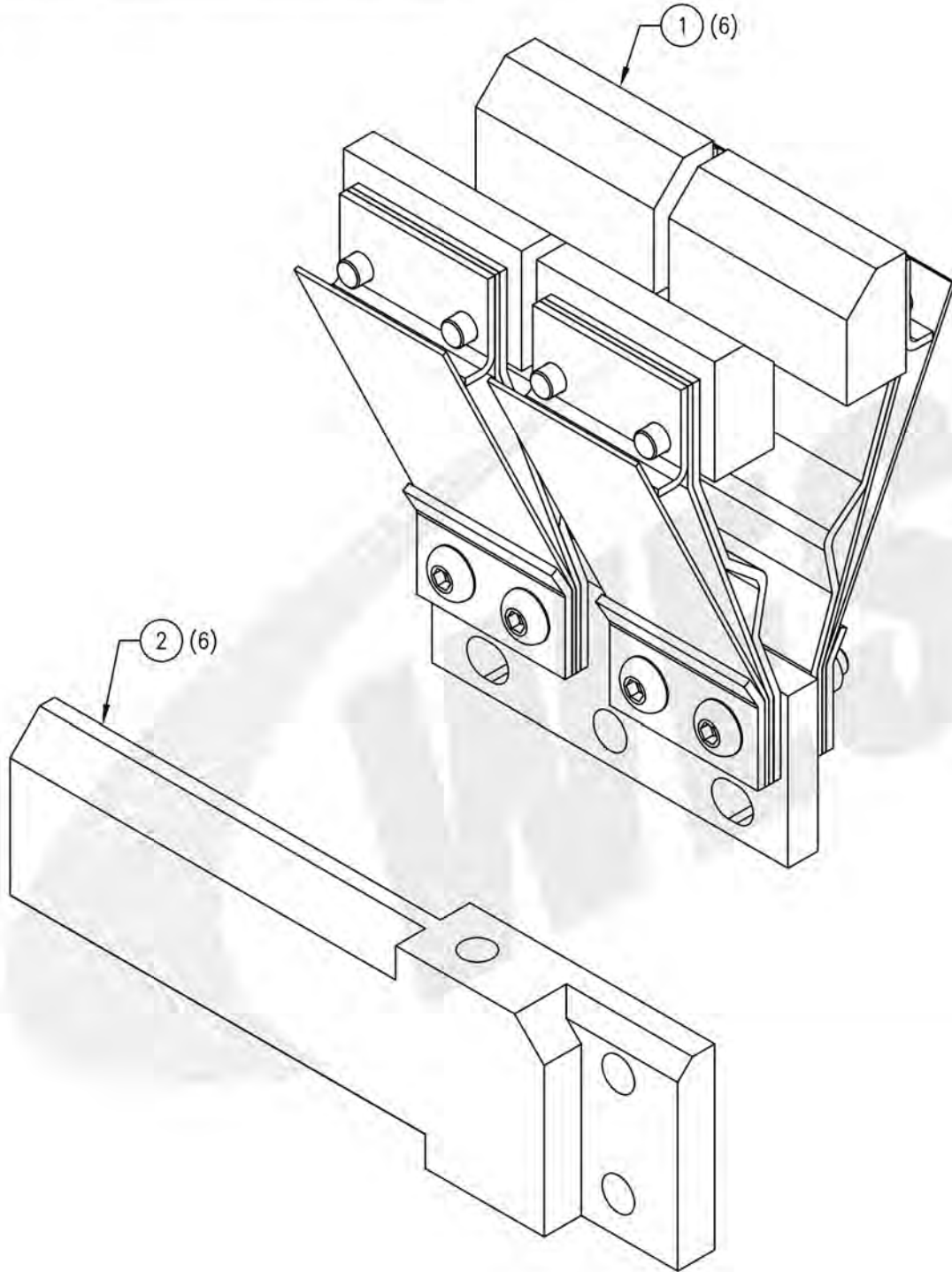


(SPLIT COLLECTOR RINGS & REINHAUSEN REVERSING SWITCH)



WESTERN ELECTRICAL SERVICES	
EQUIPMENT: WH UTT-B (UPGRADE)	
TITLE: CONTACT KIT, UPGRADE UTT & UTT-A TO UTT-B	
DWG NO. 04-401-0005KU	REV: 1

PARTS LIST			
ITEM NO.	PART NUMBER	DESCRIPTION	QTY
1	04-401-0001	CONTACT ASSEMBLY, ARCING, STATIONARY, TRANSFER SWITCH	6
2	04-401-0022	CONTACT, ARCING, MOVING, TRANSFER SWITCH	6



WESTERN ELECTRICAL SERVICES

EQUIPMENT: WH UTT, UTT-A & UTT-B

TITLE: KIT, ARCING CONTACT

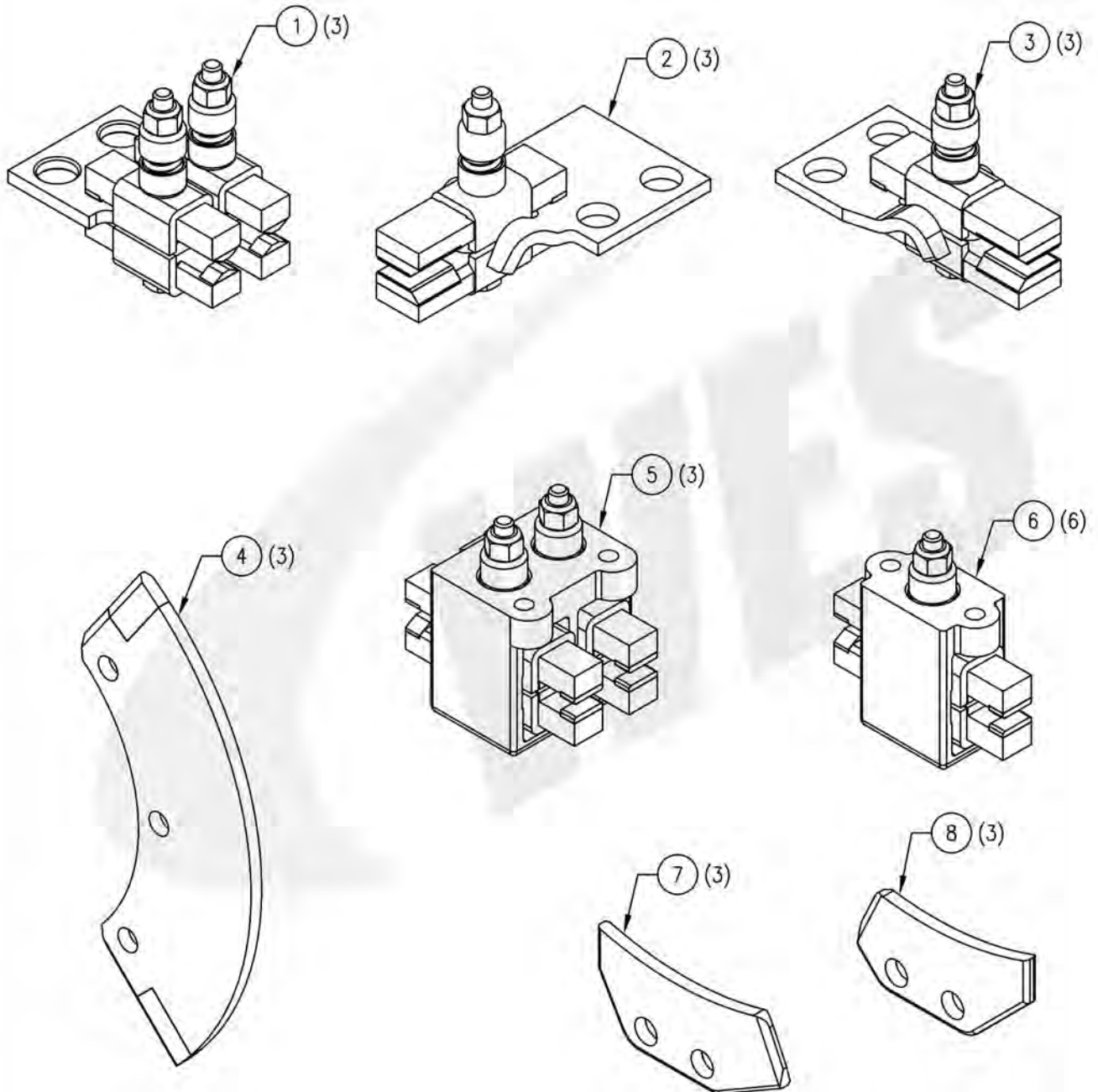
DWG NO. 04-401-0008K

REV: 0



PARTS LIST			
ITEM NO.	PART NUMBER	DESCRIPTION	QTY
1	4861B78G01	"P" STATIONARY CONTACT ASSEMBLY	3
2	4861B78G02	"P2" STATIONARY CONTACT ASSEMBLY	3
3	4861B78G03	"P3" STATIONARY CONTACT ASSEMBLY	3
4	225C831G03	"P" MOVING CONTACT BLADE	3

PARTS LIST			
ITEM NO.	PART NUMBER	DESCRIPTION	QTY
5	780C953G03	REVERSING SWITCH CONTACT CARRIER ASSEMBLY	3
6	780C953G01	SELECTOR SWITCH CONTACT CARRIER ASSEMBLY	6
7	224C916H03	LEFT HAND REVERSING SWITCH STATIONARY CONTACT	3
8	224C916H04	RIGHT HAND REVERSING SWITCH STATIONARY CONTACT	3



WESTERN ELECTRICAL SERVICES

EQUIPMENT: WH UVT 1000 AMP

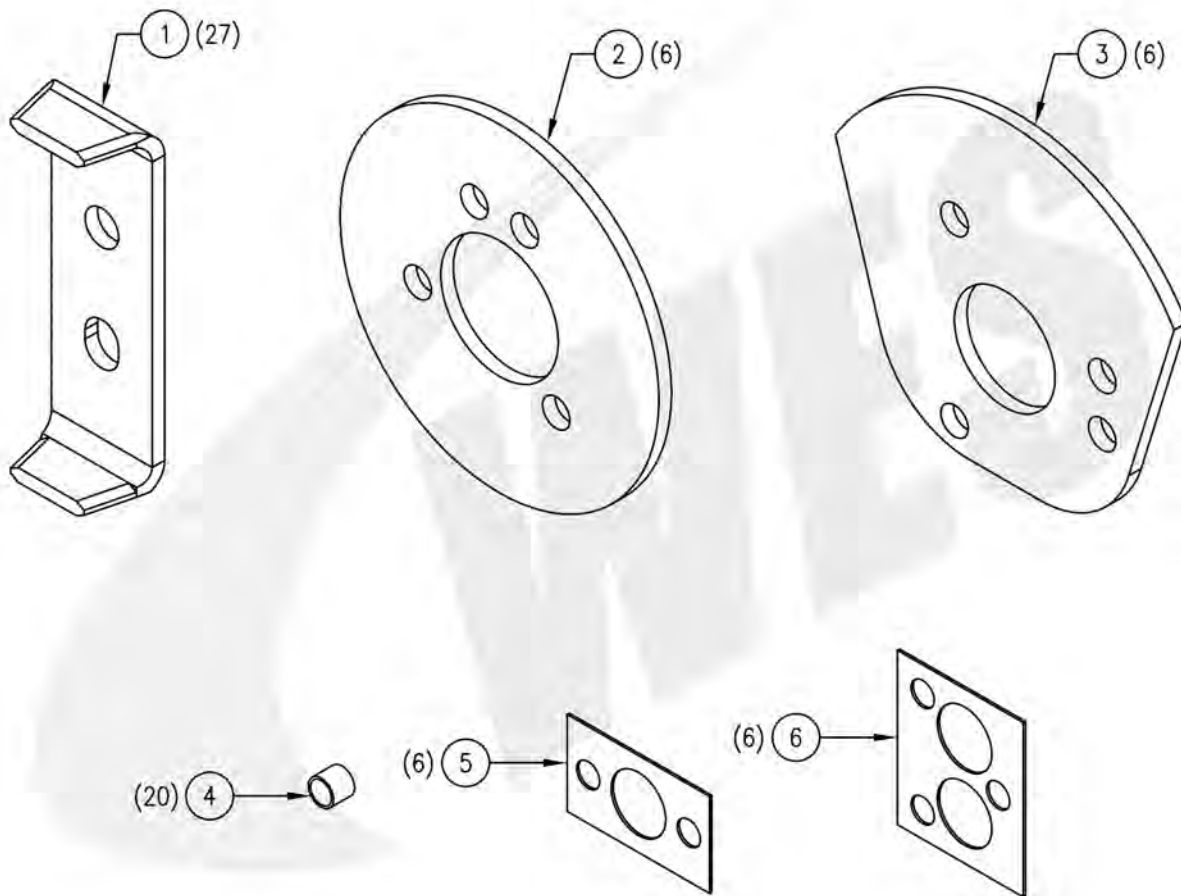
TITLE: KIT, CONTACT

DWG NO. 10-100-0001K

REV: 1



PARTS LIST			
ITEM NO.	PART NUMBER	DESCRIPTION	QTY
1	5388D22H01	STATIONARY SELECTOR SWITCH CONTACT	27
2	5388D22H07	COLLECTOR RING	6
3	5388D22H09	COLLECTOR RING	3
4	816A998H01	INSULATING TUBES	20
5	816A998H02	P1 AND P4 INSULATION STRIP	6
6	816A998H03	REVERSING INSULATION STRIP	6



WESTERN ELECTRICAL SERVICES

EQUIPMENT: WH UVT 1000 AMP

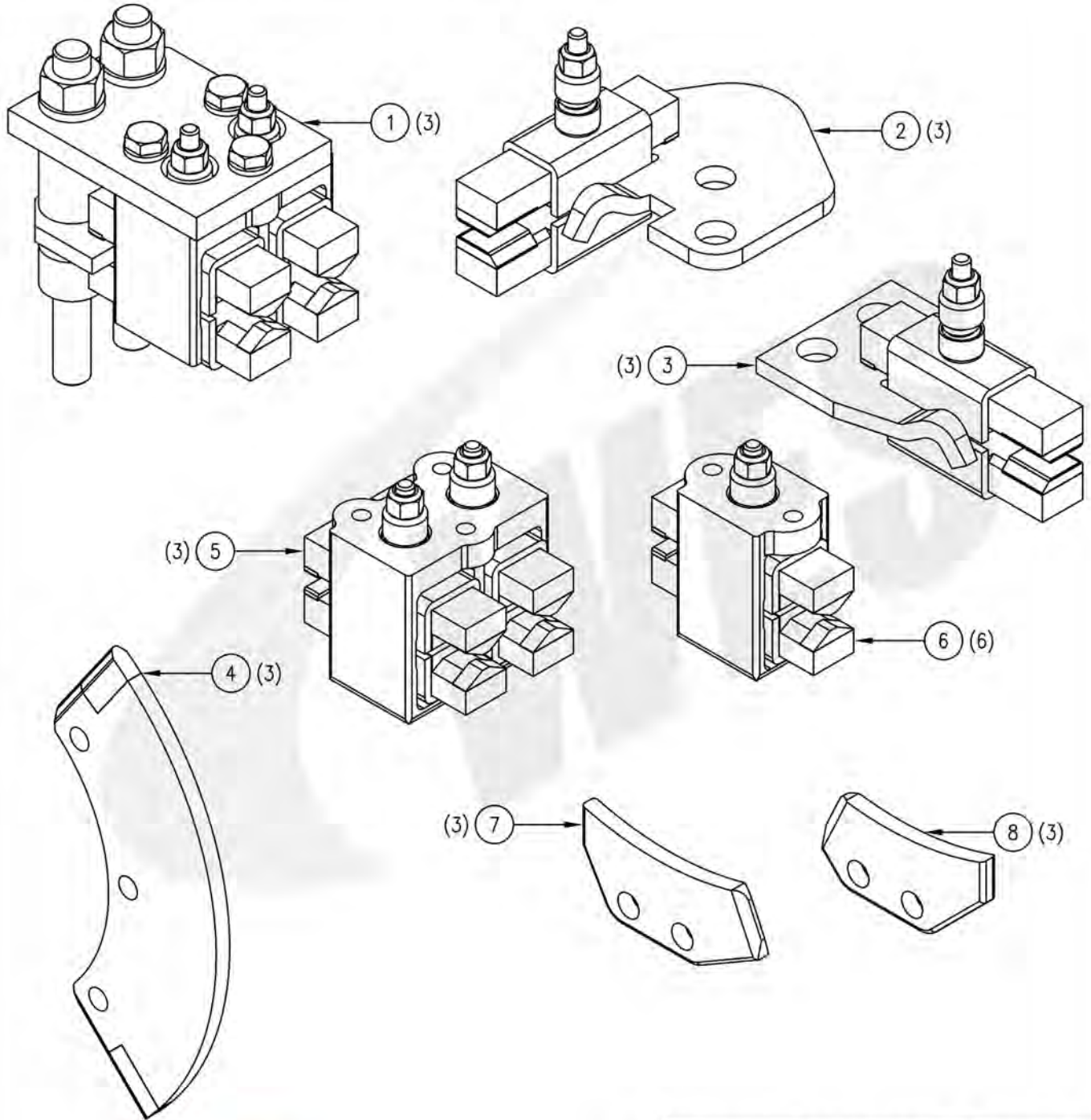
TITLE: NOT INCLUDED IN KIT

DWG NO. 10-100-0001K-2

REV: 1

PARTS LIST			
ITEM NO.	PART NUMBER	DESCRIPTION	QTY
1	4861B80G01	"P" STATIONARY CONTACT ASSEMBLY	3
2	4861B80G02	"P2" STATIONARY CONTACT ASSEMBLY	3
3	4861B80G03	"P3" STATIONARY CONTACT ASSEMBLY	3
4	225C831G02	"P" MOVING CONTACT BLADE	3
5	780C953G04	REVERSING SWITCH CONTACT CARRIER ASSEMBLY	3

PARTS LIST			
ITEM NO.	PART NUMBER	DESCRIPTION	QTY
6	780C953G02	SELECTOR SWITCH CONTACT CARRIER ASSEMBLY	6
7	224C916H01	LEFT HAND REVERSING SWITCH STATIONARY CONTACT	3
8	224C916H02	RIGHT HAND REVERSING SWITCH STATIONARY CONTACT	3



WESTERN ELECTRICAL SERVICES

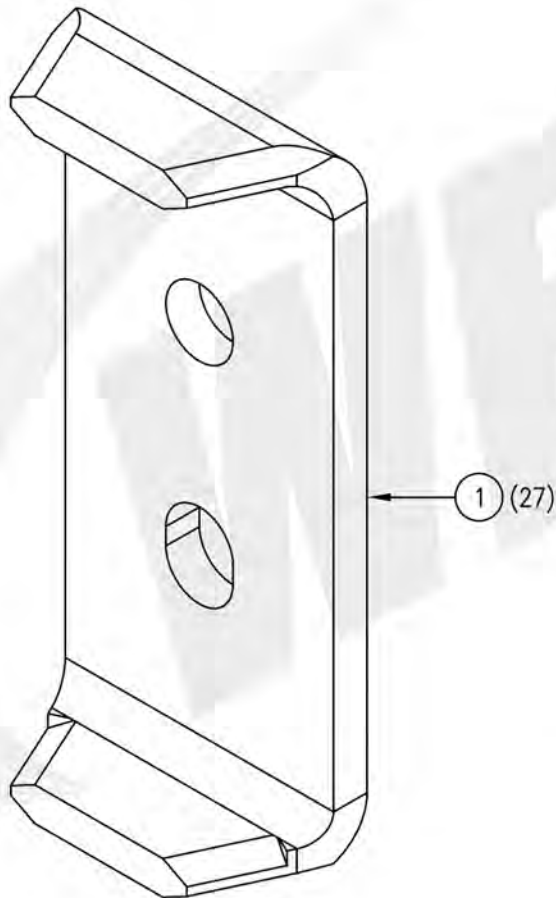
EQUIPMENT: WH UVT 1500/2000 AMP

TITLE: KIT, CONTACT

DWG NO. 10-100-0003K

REV: 1

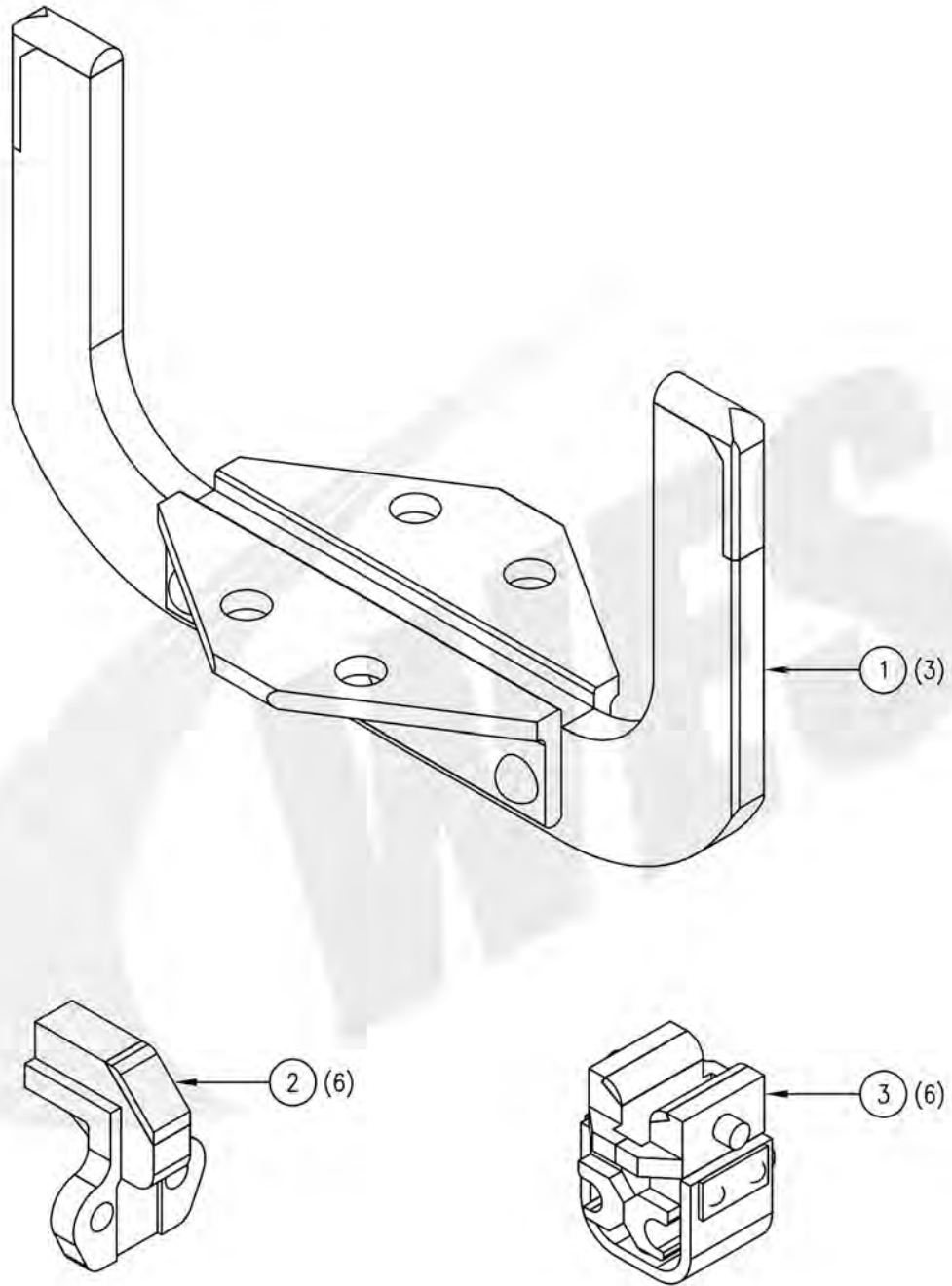
PARTS LIST			
ITEM NO.	PART NUMBER	DESCRIPTION	QTY
1	5388D22H02	STATIONARY SELECTOR SWITCH CONTACT	27



WESTERN ELECTRICAL SERVICES	
EQUIPMENT: WH UVT 1500/2000 AMP	
TITLE: NOT INCLUDED IN KIT	
DWG NO. 10-100-0003K-2	REV: 0



PARTS LIST			
ITEM NO.	PART NUMBER	DESCRIPTION	QTY
1	04-410-0001	CONTACT ASSEMBLY, MOVING, MAIN	3
2	04-410-0005	ARCING HORN ASSEMBLY	6
3	04-410-0008	CONTACT ASSEMBLY, STATIONARY	6



WESTERN ELECTRICAL SERVICES

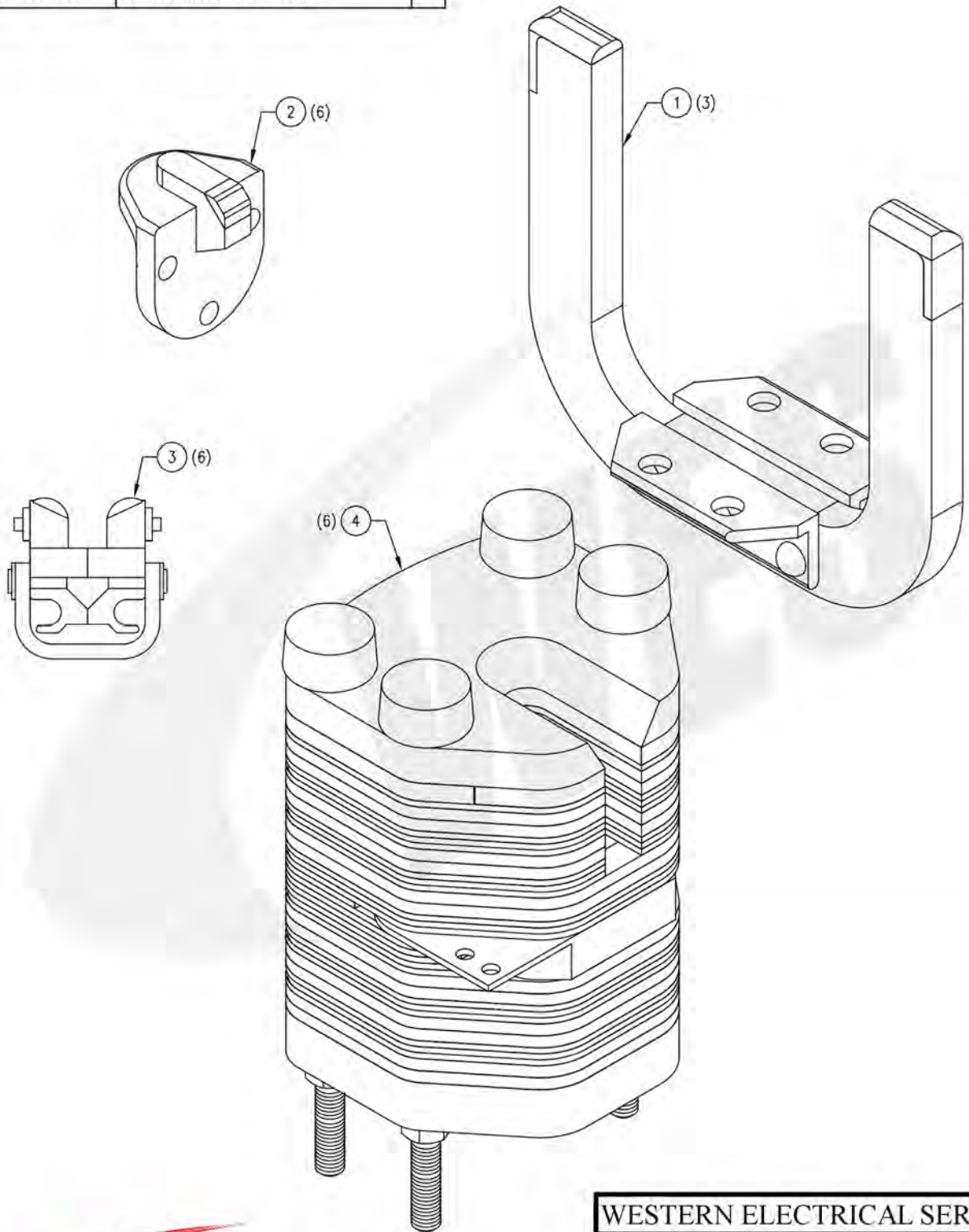
EQUIPMENT: WH 230G500

TITLE: REPLACEMENT PARTS

DWG NO. 04-410-0000K

REV: 0

PARTS LIST			
ITEM NO.	PART NUMBER	DESCRIPTION	QTY
1	04-408-0001	CONTACT ASSEMBLY, MOVING, ARCING	3
2	04-408-0006	ARCING HORN ASSEMBLY	6
3	04-408-0010	CONTACT ASSEMBLY, STATIONARY, ARCING	6
4	04-408-0017	DE-ION GRID STACK ASSEMBLY	6



WESTERN ELECTRICAL SERVICES

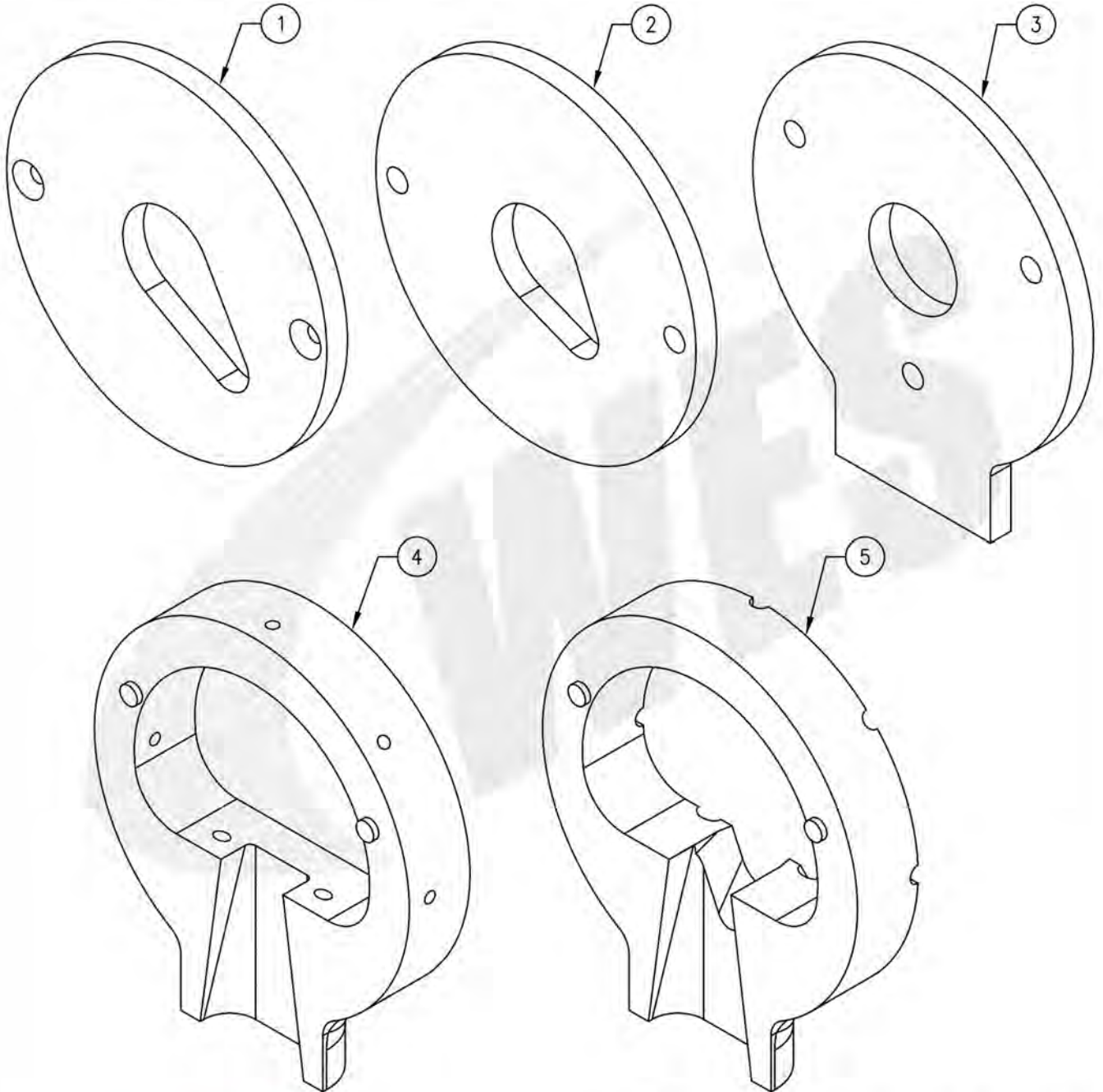
EQUIPMENT: WH 345G1500

TITLE: KIT, CONTACT & BAFFLE

DWG NO. 04-408-0000K

REV: 0

PARTS LIST			
ITEM NO.	PART NUMBER	DESCRIPTION	QTY
1	04-414-0013	VENT, PLATE	1
2	04-414-0014	VENT, PLATE	1
3	04-414-0015	VENT, PLATE	1
4	04-414-0016	TOP VENT PLATE ASSEMBLY	1
5	04-414-0019	BOTTOM VENT PLATE ASSEMBLY	1



WESTERN ELECTRICAL SERVICES

EQUIPMENT: WH 345GS1500

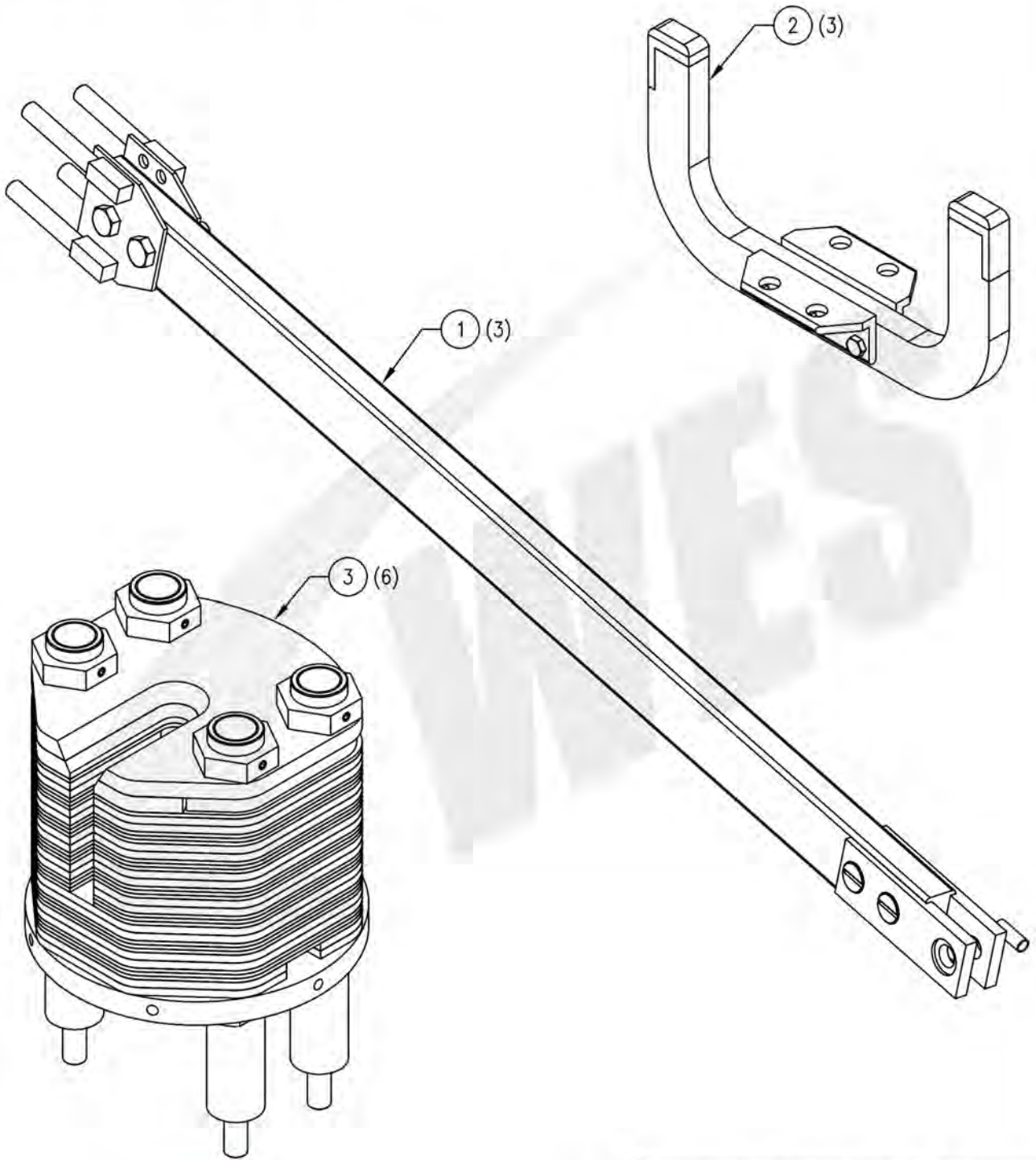
TITLE: KIT, VENT PLATE

DWG NO. 04-414-0001K

REV: 0



PARTS LIST			
ITEM NO.	PART NUMBER	DESCRIPTION	QTY
1	04-409-0001	LIFT ROD ASSEMBLY	3
2	04-409-0010	CONTACT ASSEMBLY, MOVING, ARCING	3
3	04-409-0014	DE-ION GRID STACK ASSEMBLY	6



WESTERN ELECTRICAL SERVICES

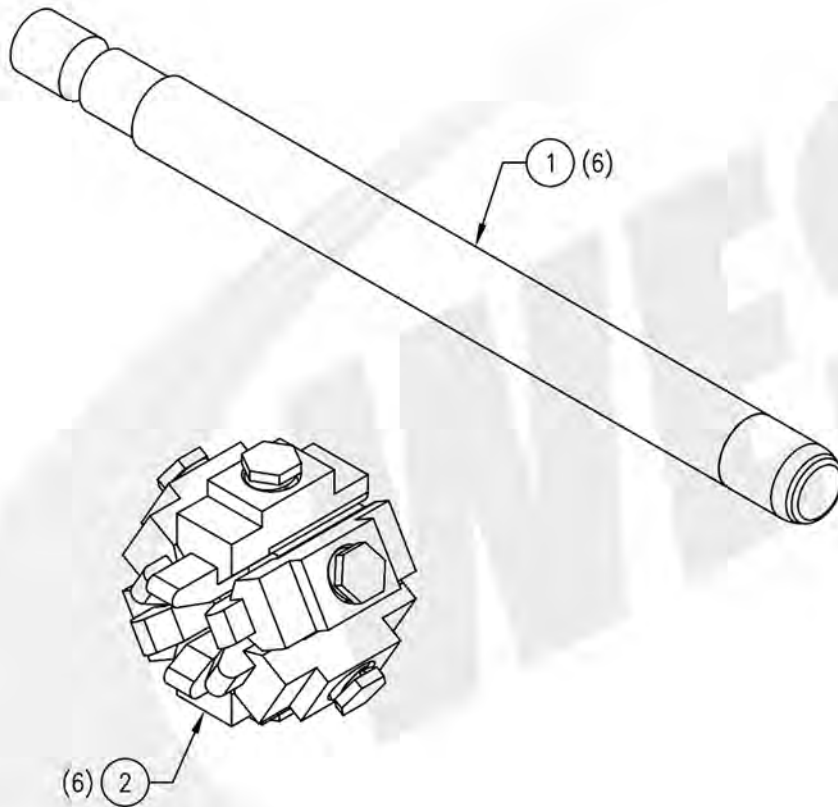
EQUIPMENT: WH 460G2500

TITLE: REPLACEMENT PARTS

DWG NO. 04-409-0000K

REV: 0

PARTS LIST			
ITEM NO.	PART NUMBER	DESCRIPTION	QTY
1	04-406-0002	CONTACT ROD ASSEMBLY, MOVING	6
2	04-406-0005	CONTACT ASSEMBLY, STATIONARY	6



WESTERN ELECTRICAL SERVICES

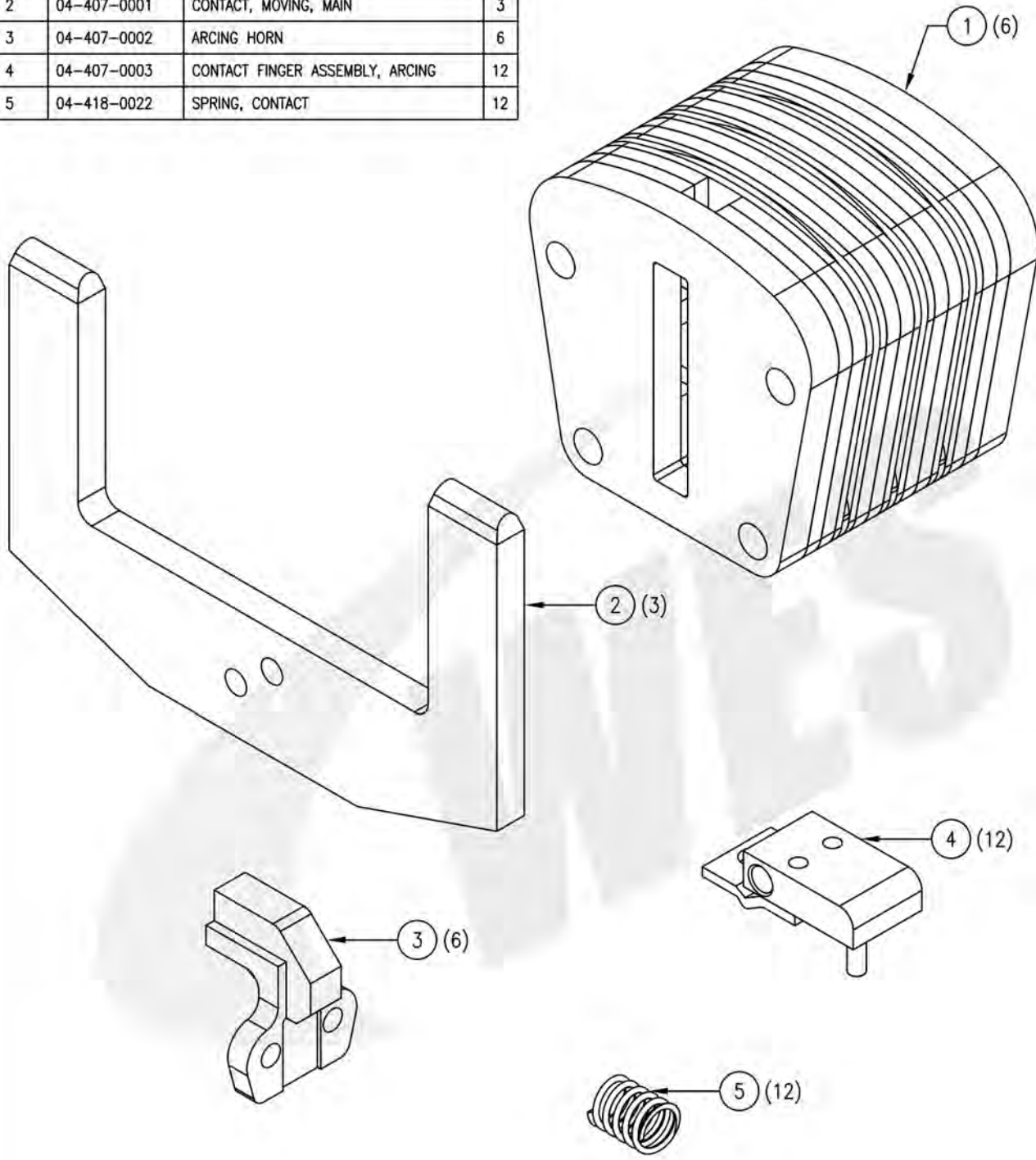
EQUIPMENT: WH 690GS2500

TITLE: REPLACEMENT PARTS

DWG NO. 04-406-0000K

REV: 0

PARTS LIST			
ITEM NO.	PART NUMBER	DESCRIPTION	QTY
1	04-418-0001	BAFFLE STACK ASSEMBLY	6
2	04-407-0001	CONTACT, MOVING, MAIN	3
3	04-407-0002	ARCING HORN	6
4	04-407-0003	CONTACT FINGER ASSEMBLY, ARCING	12
5	04-418-0022	SPRING, CONTACT	12



WESTERN ELECTRICAL SERVICES

EQUIPMENT: WH G01 600 AMP

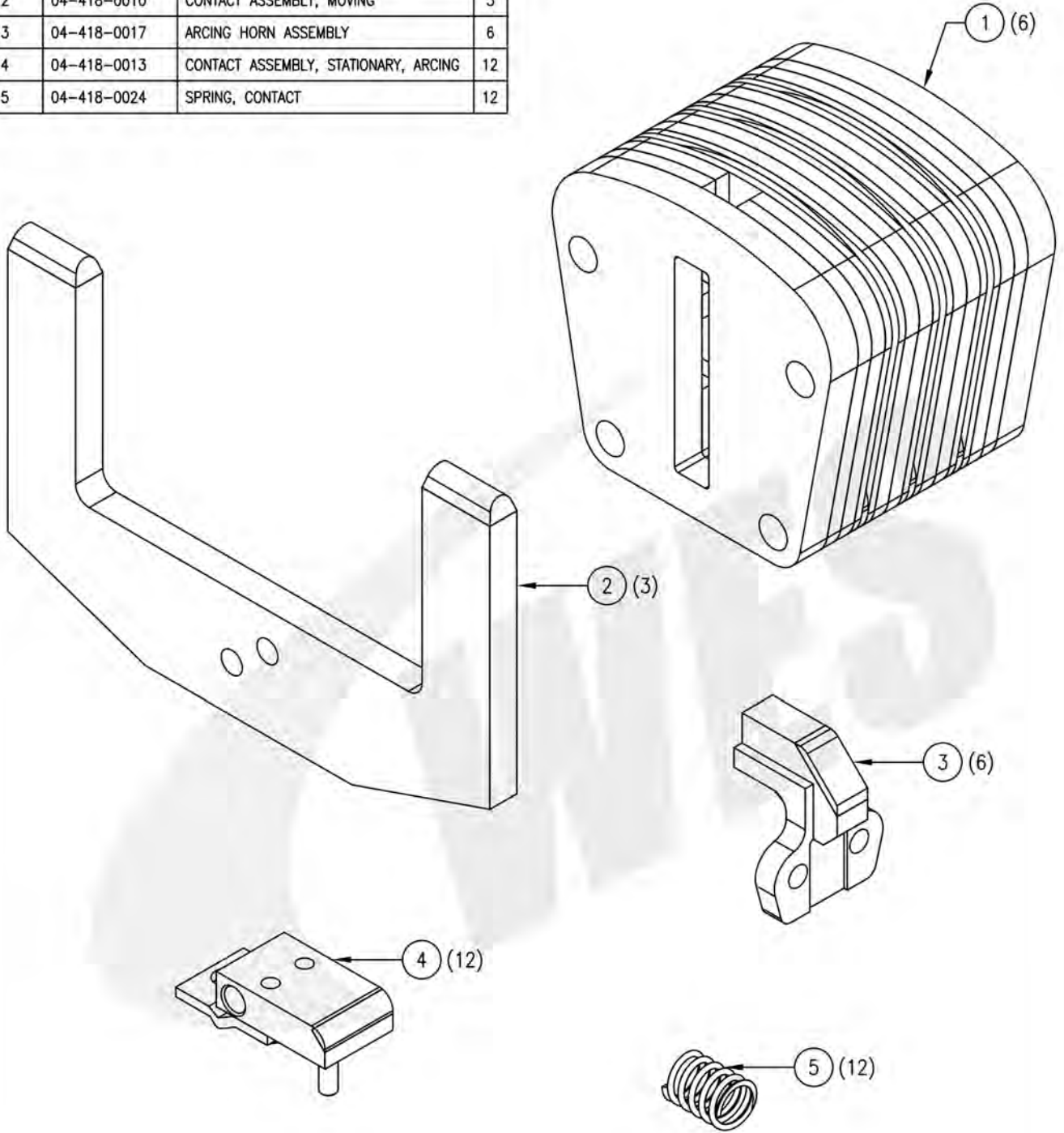
TITLE: REPLACEMENT PARTS

DWG NO. 04-418-0000K

REV: 2



PARTS LIST			
ITEM NO.	PART NUMBER	DESCRIPTION	QTY
1	04-418-0001	BAFFLE STACK ASSEMBLY	6
2	04-418-0010	CONTACT ASSEMBLY, MOVING	3
3	04-418-0017	ARCING HORN ASSEMBLY	6
4	04-418-0013	CONTACT ASSEMBLY, STATIONARY, ARCING	12
5	04-418-0024	SPRING, CONTACT	12



**WESTERN ELECTRICAL SERVICES**

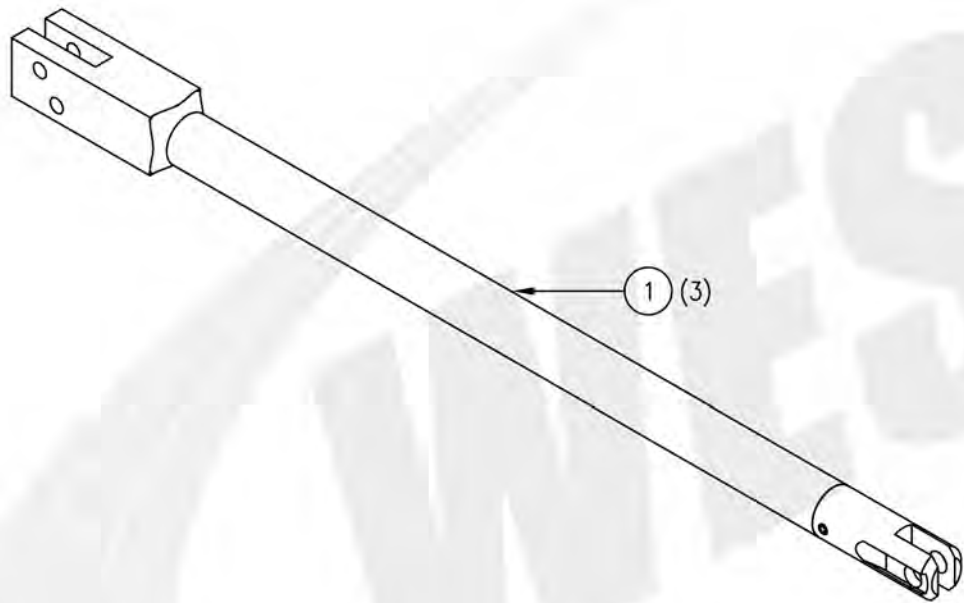
EQUIPMENT: WH G01 1200 AMP

TITLE: REPLACEMENT PARTS

DWG NO. 04-418-0001K

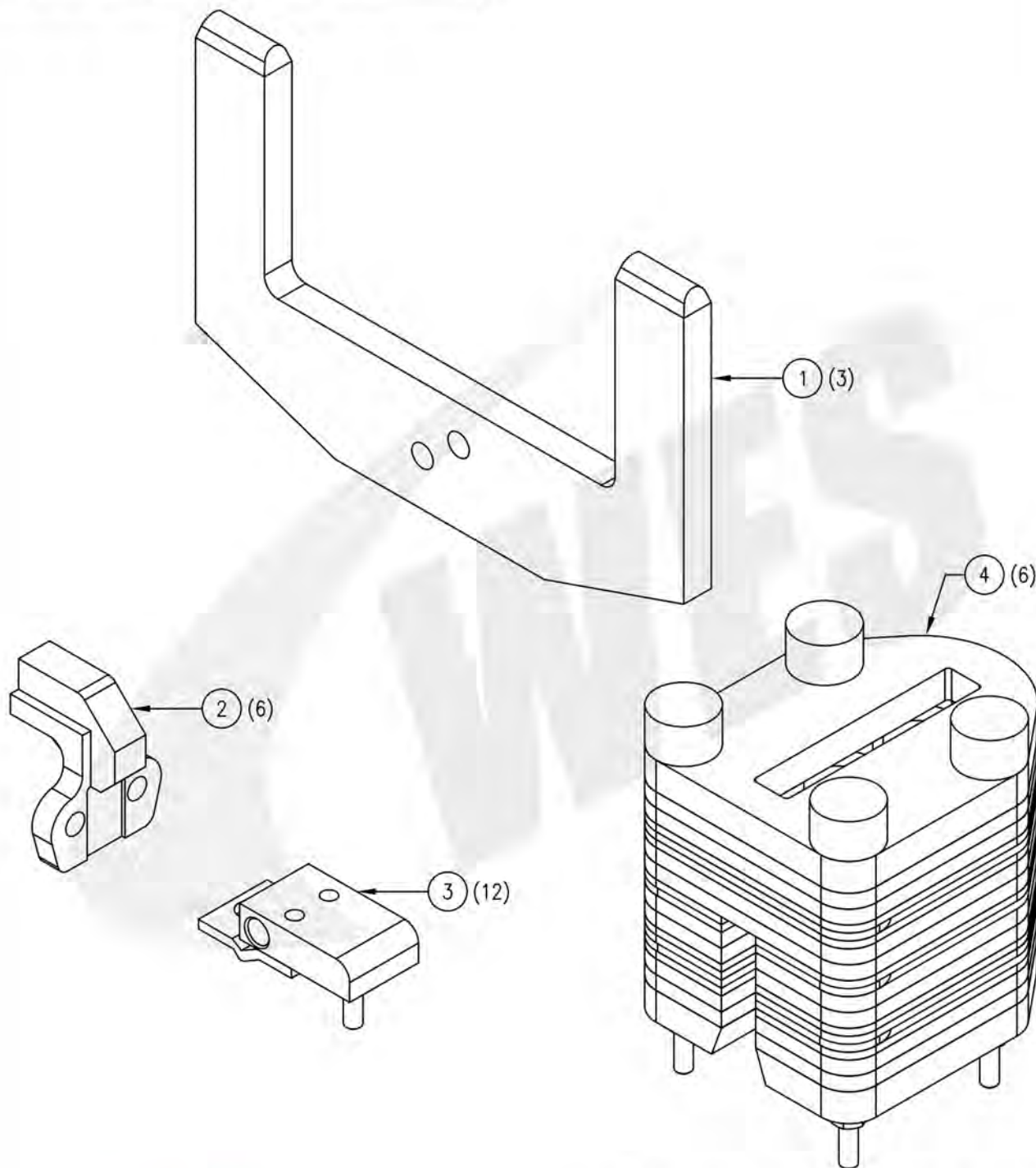
REV: 1

PARTS LIST			
ITEM NO.	PART NUMBER	DESCRIPTION	QTY
1	04-418-0019	LIFT ROD ASSEMBLY	3



WESTERN ELECTRICAL SERVICES	
EQUIPMENT: WH G01 1200 AMP	
TITLE: NOT INCLUDED IN KIT	
DWG NO. 04-418-0001K-2	REV: 0

PARTS LIST			
ITEM NO.	PART NUMBER	DESCRIPTION	QTY
1	04-407-0001	CONTACT, MOVING, MAIN	3
2	04-407-0002	ARCING HORN	6
3	04-407-0003	CONTACT FINGER ASSEMBLY, ARCING	12
4	04-407-0004	DE-ION BAFFLE STACK ASSEMBLY	6



WESTERN ELECTRICAL SERVICES

EQUIPMENT: WH G02

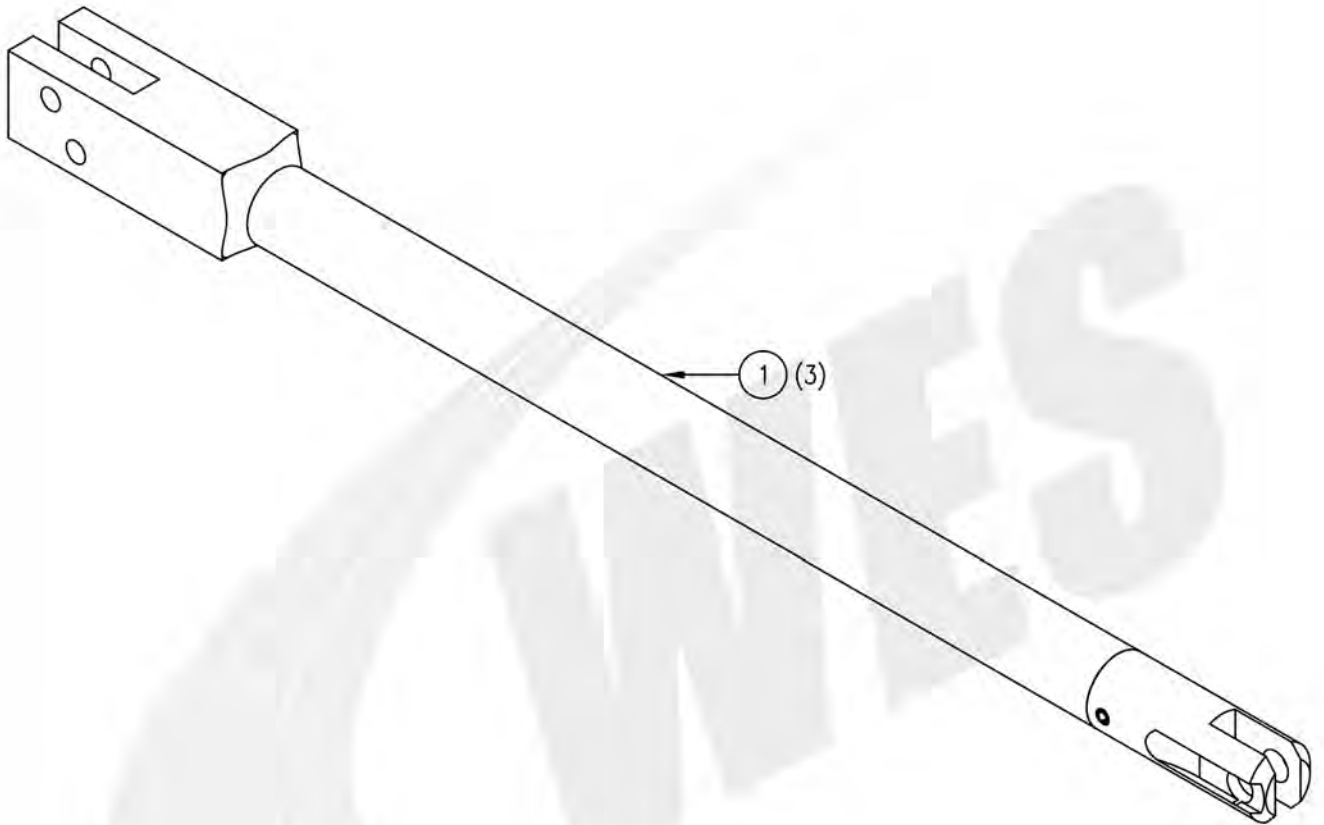
TITLE: KIT, BAFFLE & CONTACT

DWG NO. 04-407-0000K

REV: 0



PARTS LIST			
ITEM NO.	PART NUMBER	DESCRIPTION	QTY
1	04-407-0019	LIFT ROD ASSEMBLY	3



WESTERN ELECTRICAL SERVICES	
EQUIPMENT: WH G02	
TITLE: NOT INLCUED IN KIT	
DWG NO. 04-407-0000K-2	REV: 0